



SERVICE PARTS LIST

BULLETIN NO.
54-22-1010

1/4 H.P. BENCH GRINDER		REVISED BULLETIN	DATE
			May '93
CATALOG NO. 4901	MOTOR REF. NO. 41880M	WIRING INSTRUCTION 58-01-0025	

PARTS ORDERS MUST INCLUDE:

CATALOG NO. > (FROM NAMEPLATE)
MOTOR REF. NO. >

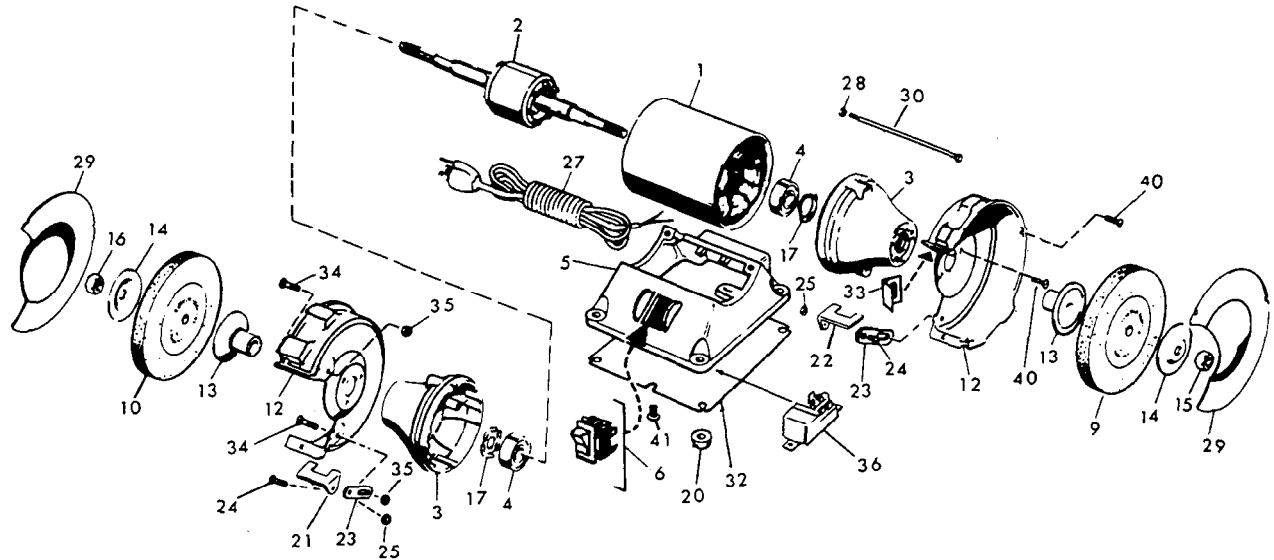


FIG.	PART NO.	DESCRIPTION OF PART	NO. REQ.	FIG.	PART NO.	DESCRIPTION OF PART	NO. REQ.
1	-	Wound Stator with Frame	(1)	22	44-85-0151	R.H. Tool Rest	(1)
2	23-40-0540	Rotor and Shaft Assembly	(1)	23	42-36-0025	Tool Rest Support	(2)
3	42-25-2520	End Shield	(2)	24	06-10-0450	1/4-20 x 5/8 Carriage Bolt	(2)
4	02-04-1720	Bearing	(2)	25	06-55-1500	1/4-20 Hex Nut	(2)
5	42-20-0580	Base	(1)	27	22-64-2770	Cord Set	(1)
6	23-66-1260	Switch	(1)	28	06-57-6060	10-32 Lock Nut	(2)
9	-	Grinding Wheel	(1)	29	42-92-0115	Wheel Guard Cover	(2)
10	-	Grinding Wheel	(1)	30	06-08-0100	Thru Bolt	(2)
12	43-54-0420	Wheel Guard	(2)	32	42-92-0470	Base Cover	(1)
13	43-34-0113	Inner Flange	(2)	33	45-12-0340	Spark Guard	(2)
14	43-34-0460	Outer Flange	(2)	34	06-10-1050	5/16-18 x 1-1/8 Carriage Bolt	(4)
15	06-55-3300	R.H. 5/8-18 Hex Nut	(1)	35	06-57-5040	5/16-18 Hex Lock Nut	(4)
16	06-55-3325	L.H. 5/8-18 Hex Nut	(1)	36	23-38-0100	Relay	(1)
17	40-50-7675	Finger Spring	(2)	40	06-81-3195	10-32 x 1/2 Self Lock Screw	(12)
20	42-38-0106	Base Bumper	(4)	41	06-81-3190	8-32 x 3/8 Self Lock Screw	(4)
21	44-85-0141	L.H. Tool Rest	(1)	42	06-81-5375	8-32 x 1/4 Ground Screw (Not Shown)	(1)