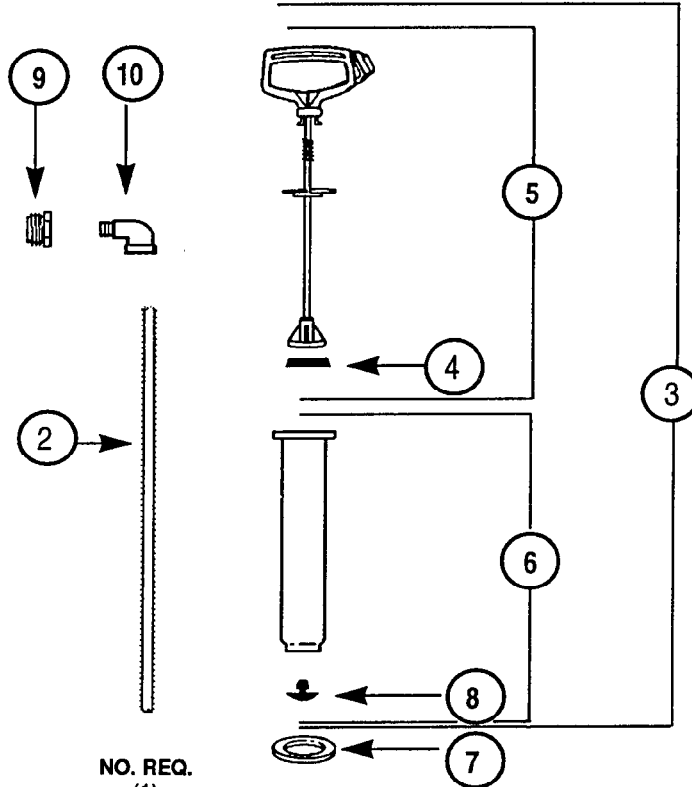




SERVICE PARTS LIST

BULLETIN NO.
54-28-0300

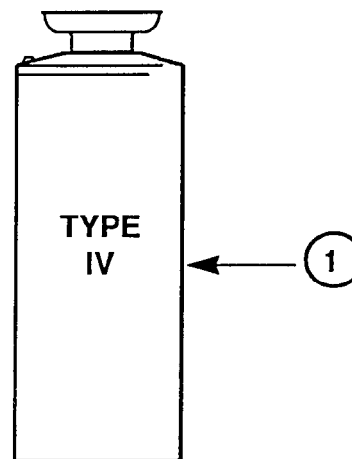
SPECIFY CATALOG NO. AND SERIAL NO. WHEN ORDERING PARTS		REVISED BULLETIN	DATE
WATER TANK			July '93
CATALOG NO. 49-76-0050	SERIAL NUMBER	TYPE IV	
		WIRING INSTRUCTION	

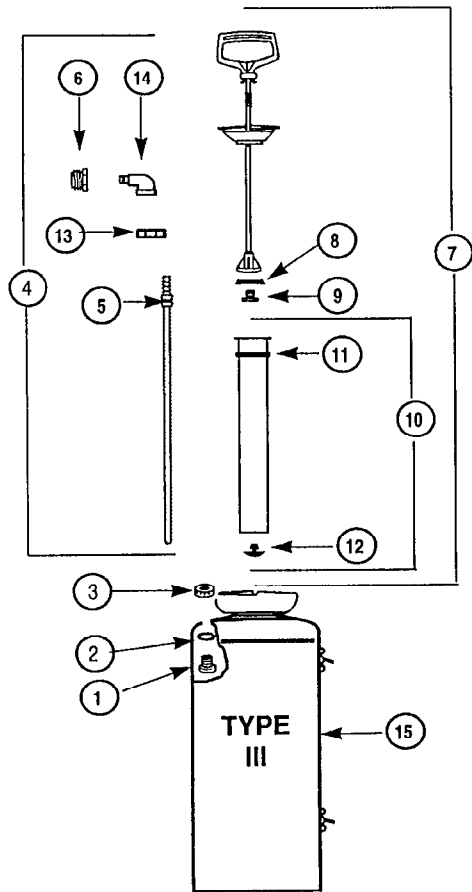


TYPE IV

FIG.	PART NO.	DESCRIPTION OF PART	NO. REQ.
1	45-66-0100	Water Tank	(1)
2	45-76-0430	Supply Tube	(1)
3	44-78-0010	Complete Pump Assembly (Includes Fig. Nos. 4 thru 8)	(1)
4	44-70-0175	Plunger Cup	(1)
5	44-70-0230	Plunger Assembly (Includes Fig. No. 4)	(1)
6	42-98-0210	Cylinder Assembly (Includes Fig. No. 7)	(1)
7	43-44-0980	Tank Gasket	(1)
8	45-80-0110	Cylinder Mono-Valve®	(1)
9	43-33-0495	Male Hose Coupling	(1)
10		Fitting (1/4" x 90° Street Elbow)	(1)

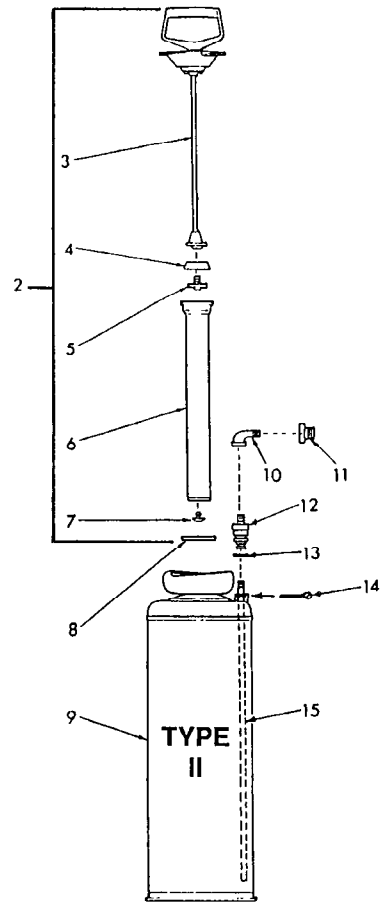
SEE REVERSE SIDE
FOR PREVIOUS MODELS





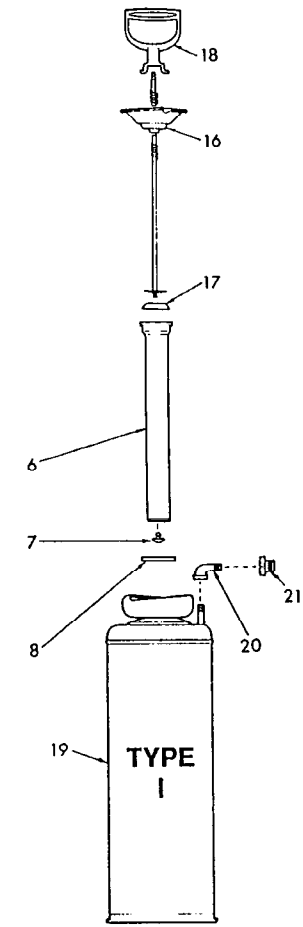
TYPE III

FIG.	PART NO.	DESCRIPTION OF PART	NO. REQ.
1	42-04-0620	Supply Tube Adaptor	(1)
2	34-40-4010	O-Ring	(1)
3	06-57-7510	Lock Nut	(1)
4	45-76-0250	Supply Tube Assembly (Includes Fig. Nos. 5, 6 & 14)	(1)
5	34-40-4005	O-Ring	(1)
6	43-33-0495	Male Hose Coupling	(1)
7	44-70-0190	Complete Pump Assembly (Includes Fig. Nos. 8 thru 12)	(1)
8	44-70-0175	Plunger Cup	(1)
9	44-70-0170	Plunger Front Disc	(1)
10		Cylinder	(1)
11	43-44-0160	Cylinder Gasket	(1)
12	45-80-0110	Cylinder Mono-Valve®	(1)
13	44-40-0480	Lock Nut	(1)
14	43-33-0190	Elbow	(1)
15		Tank	(1)



TYPE II

FIG.	PART NO.	DESCRIPTION OF PART	NO. REQ.
2	44-70-0120	Complete Pump Assembly (Includes Fig. Nos. 3 thru 8)	(1)
3		Plunger Assembly	(1)
4	44-70-0175	Leather Cover	(1)
5	44-70-0170	Plastic Disc	(1)
6		Cylinder	(1)
7	45-80-0110	Cylinder Mono-Valve®	(1)
8	43-44-0160	Cylinder Gasket	(1)
9	45-66-0055	Tank Assembly (Includes Fig. Nos. 10 thru 15)	(1)
10	43-33-0190	1/4-90° Street Elbow	(1)
11	43-33-0325	3/4 Male Hose Coupling	(1)
12	42-04-0570	Adaptor	(1)
13	34-40-0950	O-Ring	(1)
14	42-70-0210	Clip	(1)
15	45-76-0220	Tube	(1)



TYPE I

FIG.	PART NO.	DESCRIPTION OF PART	NO. REQ.
6		Cylinder	(1)
7	45-80-0110	Cylinder Mono-Valve®	(1)
8	43-44-0160	Cylinder Gasket	(1)
16	44-66-0430	Locking Cam Plate	(1)
17	44-70-0110	Plunger Assembly Set	(1)
18		Handle	(1)
19	45-66-0050	Tank Assy. (Incl. Fig. Nos. 20 & 21)	(1)
20	43-33-0190	1/4-90° Street Elbow	(1)
21	43-33-0325	3/4 Male Hose Coupling	(1)