



SERVICE PARTS LIST

BULLETIN NO.
54-14-0110

SPECIFY CATALOG NO. AND SERIAL NO. WHEN ORDERING PARTS			REVISED BULLETIN	DATE
ARBOR ASSEMBLY FOR STEEL HAWG BITS				Mar. '96
CATALOG NO. 49-57-0012	49-57-0013	49-57-0032	WIRING INSTRUCTION	

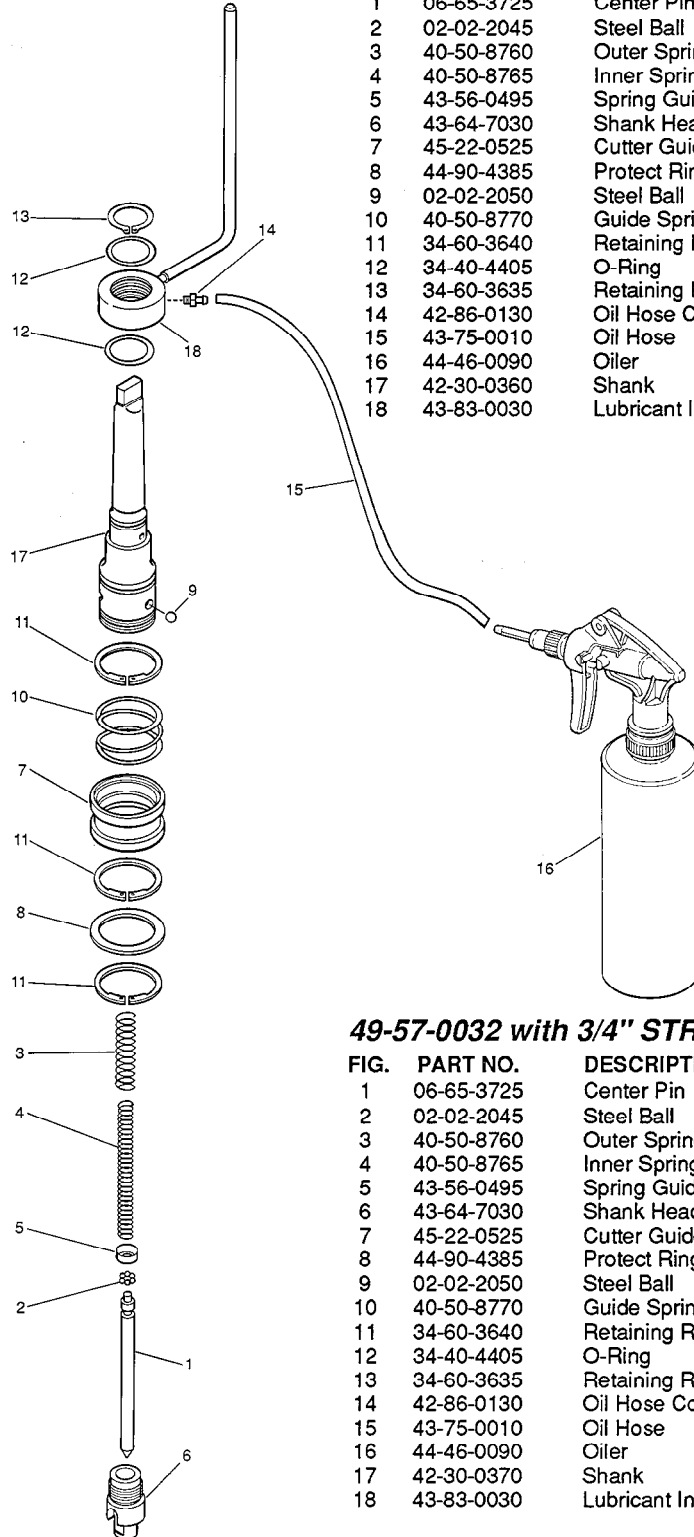
EXAMPLE:



Component Parts (Small #) Are Included
When Ordering The Assembly (Large #).

49-57-0012 with #3 MORSE TAPER SHANK

FIG.	PART NO.	DESCRIPTION OF PART	NO. REQ.
1	06-65-3725	Center Pin	(1)
2	02-02-2045	Steel Ball	(6)
3	40-50-8760	Outer Spring	(1)
4	40-50-8765	Inner Spring	(1)
5	43-56-0495	Spring Guide	(1)
6	43-64-7030	Shank Head	(1)
7	45-22-0525	Cutter Guide Sleeve	(1)
8	44-90-4385	Protect Ring	(1)
9	02-02-2050	Steel Ball	(3)
10	40-50-8770	Guide Spring	(1)
11	34-60-3640	Retaining Ring	(3)
12	34-40-4405	O-Ring	(2)
13	34-60-3635	Retaining Ring	(1)
14	42-86-0130	Oil Hose Connector	(1)
15	43-75-0010	Oil Hose	(1)
16	44-46-0090	Oiler	(1)
17	42-30-0360	Shank	(1)
18	43-83-0030	Lubricant Inductor	(1)



SEE REVERSE SIDE
FOR CAT. NO. 49-57-0013
WITH #3 MORSE TAPER
AND CHIP BREAKER

49-57-0032 with 3/4" STRAIGHT SHANK (NOT SHOWN)

FIG.	PART NO.	DESCRIPTION OF PART	NO. REQ.
1	06-65-3725	Center Pin	(1)
2	02-02-2045	Steel Ball	(6)
3	40-50-8760	Outer Spring	(1)
4	40-50-8765	Inner Spring	(1)
5	43-56-0495	Spring Guide	(1)
6	43-64-7030	Shank Head	(1)
7	45-22-0525	Cutter Guide Sleeve	(1)
8	44-90-4385	Protect Ring	(1)
9	02-02-2050	Steel Ball	(3)
10	40-50-8770	Guide Spring	(1)
11	34-60-3640	Retaining Ring	(3)
12	34-40-4405	O-Ring	(2)
13	34-60-3635	Retaining Ring	(1)
14	42-86-0130	Oil Hose Connector	(1)
15	43-75-0010	Oil Hose	(1)
16	44-46-0090	Oiler	(1)
17	42-30-0370	Shank	(1)
18	43-83-0030	Lubricant Inductor	(1)

MILWAUKEE ELECTRIC TOOL CORPORATION
13135 W. LISBON RD., BROOKFIELD, WI 53005

**49-57-0013 with #3 MORSE TAPER SHANK
and CHIP BREAKER**

FIG.	PART NO.	DESCRIPTION OF PART	NO. REQ.
1	06-65-3725	Center Pin	(1)
2	02-02-2045	Steel Ball	(6)
3	40-50-8760	Outer Spring	(1)
4	40-50-8765	Inner Spring	(1)
5	43-56-0495	Spring Guide	(1)
6	43-64-7035	Shank Head	(1)
7	45-22-0525	Cutter Guide Sleeve	(1)
8	44-90-4385	Protect Ring	(1)
9	02-02-2050	Steel Ball	(3)
10	40-50-8770	Guide Spring	(1)
11	34-60-3640	Retaining Ring	(3)
12	34-60-3645	Retaining Ring	(1)
13	02-02-2055	Steel Ball	(3)
14	34-60-3650	Retaining Ring	(1)
15	34-60-3655	Retaining Ring	(1)
16	43-96-0185	Torque Key	(2)
17	40-50-8755	Break Spring	(4)
18	06-65-3730	Spring Pin	(4)
19	34-40-4410	O-Ring	(2)
20	43-33-0525	Grease Nipple	(1)
21	42-86-0145	Hose Connector	(1)
22	42-09-0135	Arbor Arm	(1)
23	43-75-0010	Oil Hose	(1)
24	44-46-0090	Oiler	(1)
25	42-30-0380	Shank	(1)
26	43-83-0040	Lubricant Inductor	(1)

