



SERVICE PARTS LIST

BULLETIN NO.
54-14-0100

SPECIFY CATALOG NO. AND SERIAL NO. WHEN ORDERING PARTS				REVISED BULLETIN	DATE
ARBOR ASSEMBLIES FOR STEEL HAWG BITS					Apr 2007
CATALOG NO.	49-57-0010	49-57-0020	49-57-0025	49-57-0030	WIRING INSTRUCTION

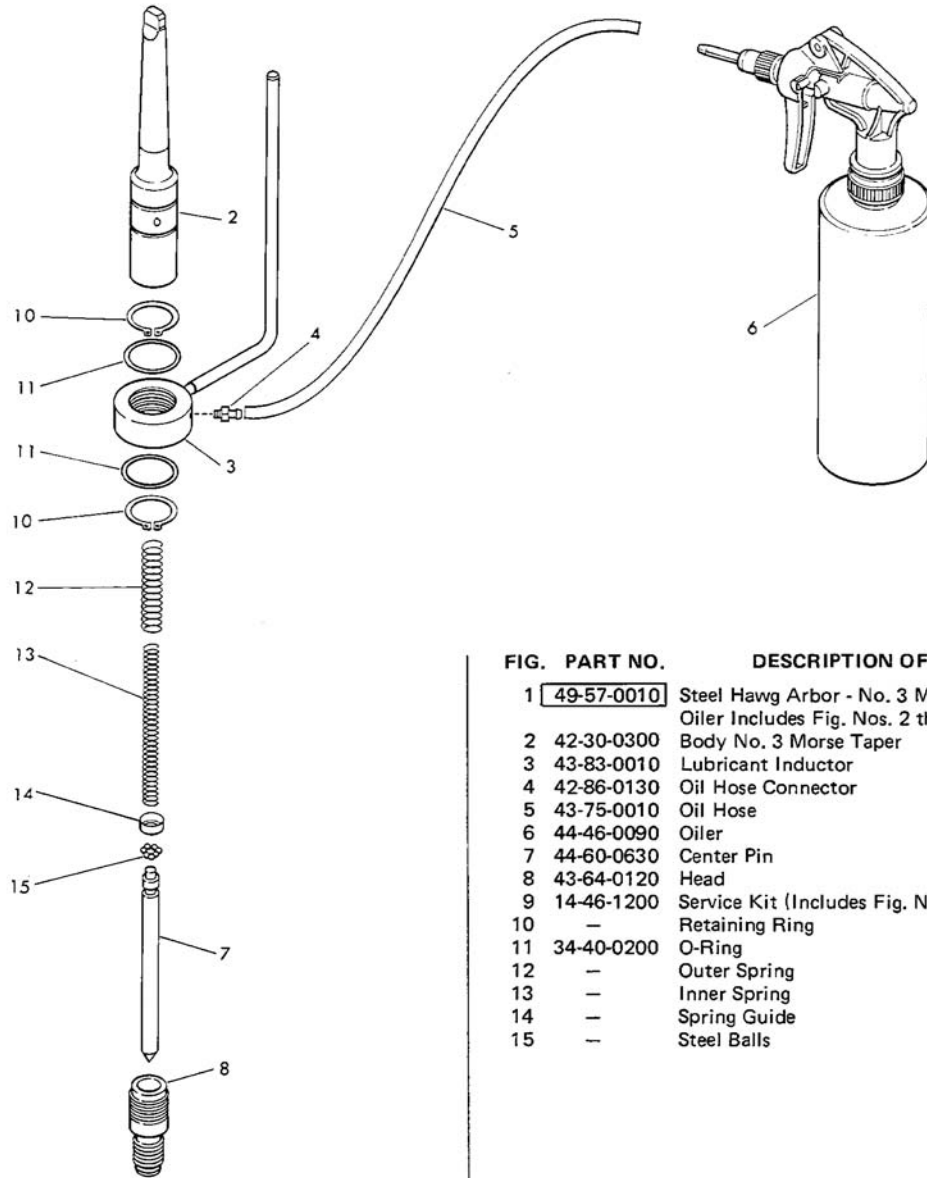


FIG.	PART NO.	DESCRIPTION OF PART	NO. REQ.
1	49-57-0030	3/4" Shank Arbor (Not Shown) with Oiler Includes Fig. Nos. 2 thru 15)	(1)
2	42-30-0320	3/4" Chuck Body	(1)
3	43-83-0020	Lubricant Inductor	(1)
4	42-86-0130	Oil Hose Connector	(1)
5	43-75-0010	Oil Hose	(1)
6	44-46-0090	Oiler	(1)
7	44-60-0630	Center Pin	(1)
8	43-64-0120	Head	(1)
9	14-46-1200	Service Kit (Includes Fig. Nos. 10 thru 15)	(1)
10	-	Retaining Ring	(2)
11	34-40-0200	O-Ring	(2)
12	-	Outer Spring	(1)
13	-	Inner Spring	(1)
14	-	Spring Guide	(1)
15	-	Steel Balls	(7)

FIG.	PART NO.	DESCRIPTION OF PART	NO. REQ.
1	49-57-0010	Steel Hawg Arbor - No. 3 Morse Taper with Oiler Includes Fig. Nos. 2 thru 15)	(1)
2	42-30-0300	Body No. 3 Morse Taper	(1)
3	43-83-0010	Lubricant Inductor	(1)
4	42-86-0130	Oil Hose Connector	(1)
5	43-75-0010	Oil Hose	(1)
6	44-46-0090	Oiler	(1)
7	44-60-0630	Center Pin	(1)
8	43-64-0120	Head	(1)
9	14-46-1200	Service Kit (Includes Fig. Nos. 10 thru 15)	(1)
10	-	Retaining Ring	(2)
11	34-40-0200	O-Ring	(2)
12	-	Outer Spring	(1)
13	-	Inner Spring	(1)
14	-	Spring Guide	(1)
15	-	Steel Balls	(7)

FIG.	PART NO.	DESCRIPTION OF PART	NO. REQ.
1	49-57-0020	Steel Hawg Arbor - No. 2 Morse Taper with Oiler Includes Fig. Nos. 2 thru 15)	(1)
2	42-30-0310	Body No. 2 Morse Taper	(1)
3	43-83-0010	Lubricant Inductor	(1)
4	42-86-0130	Oil Hose Connector	(1)
5	43-75-0010	Oil Hose	(1)
6	44-46-0090	Oiler	(1)
7	44-60-0630	Center Pin	(1)
8	43-64-0120	Head	(1)
9	14-46-1200	Service Kit (Includes Fig. Nos. 10 thru 15)	(1)
10	-	Retaining Ring	(2)
11	34-40-0200	O-Ring	(2)
12	-	Outer Spring	(1)
13	-	Inner Spring	(1)
14	-	Spring Guide	(1)
15	-	Steel Balls	(7)

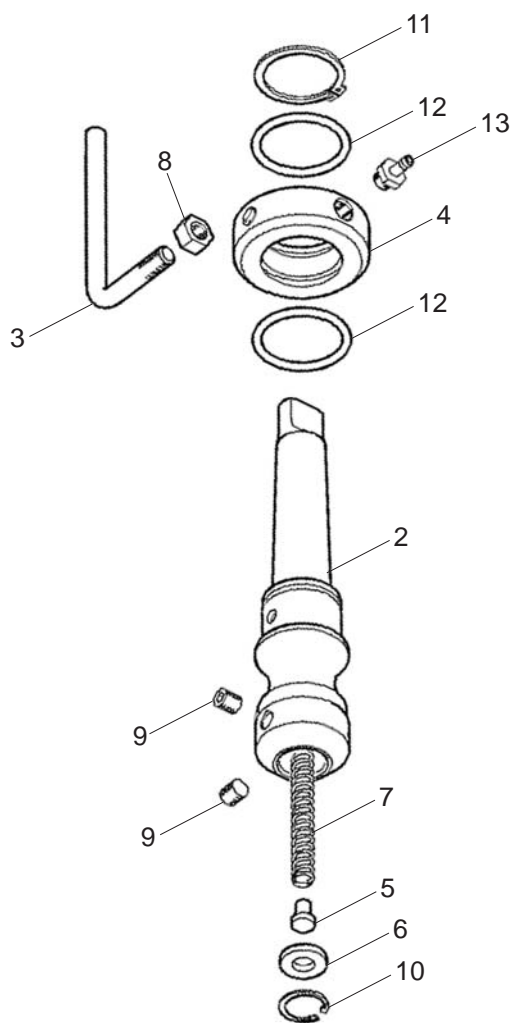


FIG.	PART NO.	DESCRIPTION OF PART	NO REQ.
1	49-57-0025	#3 Morse Taper Arbor Assembly Includes 2 thru 13	(1)
2	42-30-0025	Body MK-3 Taper	(1)
3	42-09-0025	Stop Angle	(1)
4	43-83-0025	Lubricant Inductor	(1)
5	42-32-0025	Bolt	(1)
6	43-44-0030	Gasket	(1)
7	40-50-0180	Ejector pressure spring	(1)
8	05-88-0025	Screw Nut	(1)
9	06-83-0025	Clamping Screw	(2)
10	34-60-0025	Retaining Ring (inside)	(1)
11	34-60-0035	Retaining Ring (outside)	(1)
12	34-40-0025	O-Ring	(2)
13	42-86-0025	Angle hose screw joint	(1)