



SERVICE PARTS LIST

BULLETIN NO.
54-34-0225

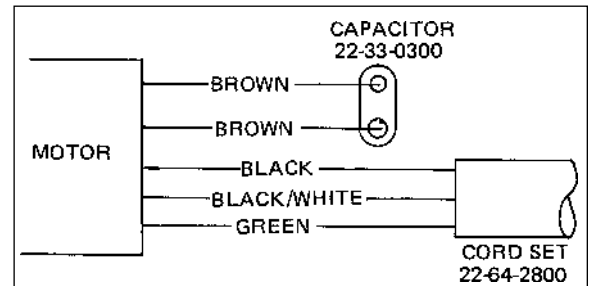
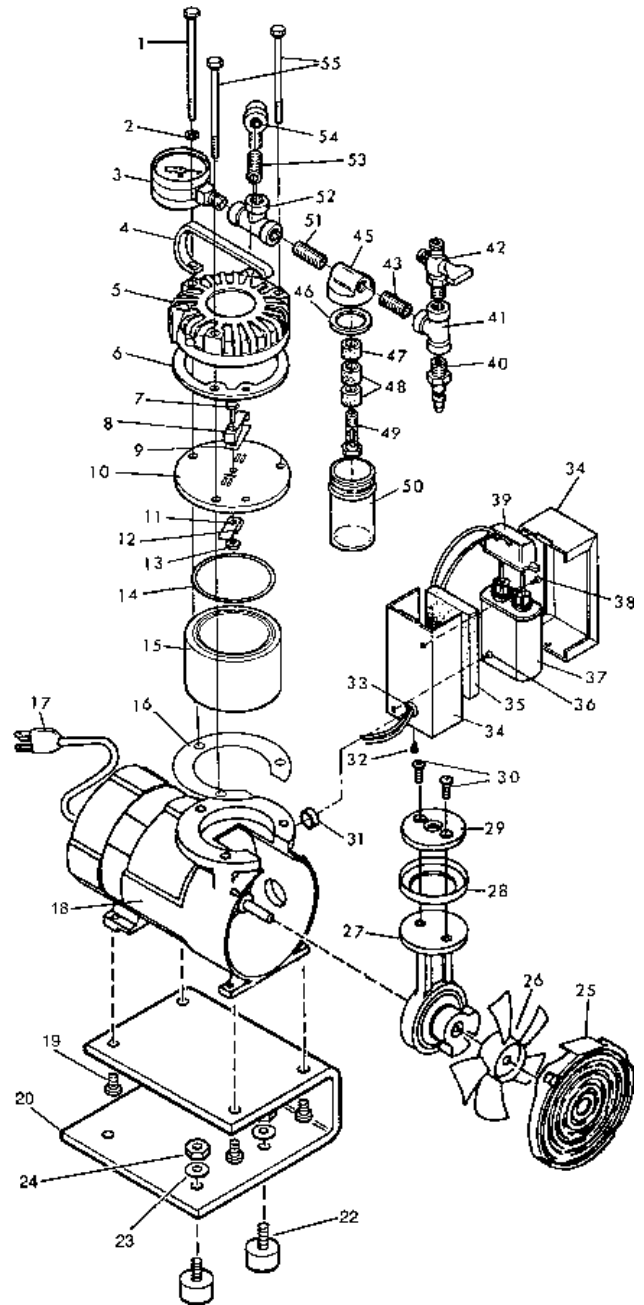
SPECIFY CATALOG NO. AND SERIAL NO. WHEN ORDERING PARTS		REVISED BULLETIN	DATE
115 VOLT VACUUM PUMP ASSEMBLY			July 2000
CATALOG NO. 49-50-0165	DATE CODE	1195	
		WIRING INSTRUCTION See Inset Below	

EXAMPLE:

00
0

Component Parts (Small #)
Are Included When Ordering
The Assembly (Large #).

FIG.	PART NO.	DESCRIPTION OF PART	QTY
1	06-75-0252	1/4-20 x 3.25 Hex Hd. Cap Screw	(1)
2	45-88-7955	1/4" Spring Lockwasher	(1)
3	43-46-0100	Vacuum Gauge	(1)
4	43-62-0940	Handle	(1)
5	43-64-0130	Head	(1)
6	43-44-0740	Head Gasket	(1)
7	06-75-0013	6-32 x .62 Hex Hd. Cap Screw	(1)
8	45-52-2030	Valve Limiter	(1)
9	45-80-0190	Leaf Valve - Bent	(1)
10	44-66-5535	Valve Plate	(1)
11	45-80-0200	Leaf Valve	(1)
12	44-86-0460	Valve Retainer	(1)
13	06-55-0630	6-32 Hex Nut	(1)
14	34-40-4070	Cylinder O-Ring	(1)
15	42-98-0180	Cylinder	(1)
16	45-14-0181	Shim Assortment (See Reverse Side)	(1)
17	22-64-2800	Cord Set	(1)
18	23-30-0190	Motor	(1)
	42-92-0780	Rear Cover (not shown)	(1)
	23-58-0760	Stator (not shown)	(1)
19	06-81-7380	10-32 x 1/2" Fil. Hd. Sem.	(4)
20	42-36-0445	Pump Bracket	(1)
22	44-52-0110	Mounting Pad	(4)
23	45-88-0660	1/4" Flat Washer	(4)
24	06-55-1500	1/4-20 Hex Nut	(4)
25	43-52-0060	Grille	(1)
26	22-84-0810	Fan	(1)
27	44-94-0320	Connecting Rod Assembly	(1)
28	22-72-0040	Cup	(1)
29	44-66-5530	Retainer Plate	(1)
30	06-81-2671	10-24 x .50 Flat Hd. Mach. Screw	(2)
31	42-40-0840	Snap Bushing	(1)
32	06-81-5470	6-32 x .19 Pan Hd. Mach. Screw	(1)
33	22-90-0160	Grommet	(1)
34	22-12-0190	Metal Box	(1)
35	44-52-0265	Foam Pad	(1)
36	06-81-2574	8-32 x .38 Flat Hd. Mach. Screw	(1)
37	22-33-0300	Capacitor	(1)
38	06-75-0016	8-32 x .38 Hex Hd. Mach. Screw	(1)
39	45-06-0370	Capacitor Boot	(1)
40	42-90-0115	Male Coupling	(1)
41	43-33-0200	Tee Fitting	(1)
42	45-80-0080	Air Cock Valve	(1)
43	43-33-0210	Nipple Fitting	(1)
44	43-31-0310	Air Filter (Incl. Fig. Nos. 45 thru 50)	(1)
45	42-92-0560	Cover	(1)
46	43-44-0750	Gasket	(1)
47	-----	Replacement Felt - Long (see note)	(1)
48	-----	Replacement Felt - Short (see note)	(2)
49	-----	Filter Screw (see note)	(1)
50	42-96-0100	Plastic Jar	(1)
51	43-33-0500	1/4 x 2" Straight Nipple	(1)
52	43-33-0200	Tee Fitting	(1)
53	45-80-0180	Check Valve	(1)
54	43-33-0505	1/4" Street Ell	(1)
55	06-75-0251	1/4-20 x 3" Hex Hd. Cap Screw	(2)



NOTE: 14-46-0115 Filter Kit
(Includes Fig. Nos. 47, 48, & 49)

MILWAUKEE ELECTRIC TOOL CORPORATION
13135 W. Lisbon Road, Brookfield, WI 53005
Drwg. 4

