



# SERVICE PARTS LIST

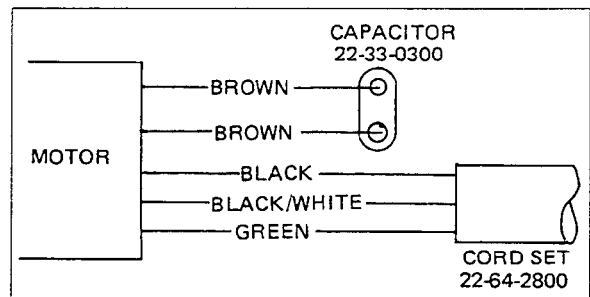
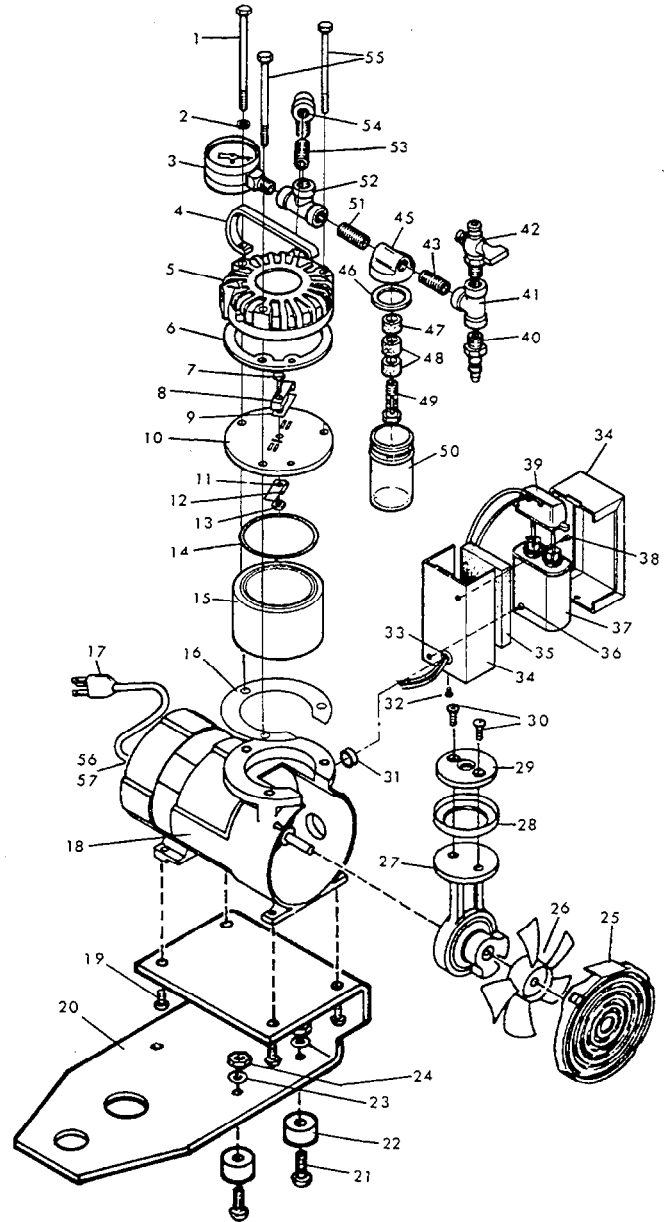
**BULLETIN NO.**  
**54-34-0200**

<b>SPECIFY CATALOG NO. AND SERIAL NO. WHEN ORDERING PARTS</b>		REVISED BULLETIN	DATE
<b>115 VOLT VACUUM PUMP ASSEMBLY</b>			July '98
<b>CATALOG NO. 49-50-0160</b>	DATE CODE	<b>0585</b>	
		WIRING INSTRUCTION <b>See Inset Below</b>	

**EXAMPLE:**  
Component Parts (Small #)  
Are Included When Ordering  
The Assembly (Large #).

00/0

FIG.	PART NO.	DESCRIPTION OF PART	QTY
	1	06-75-0252 1/4-20 x 3.25 Hex Hd. Cap Screw	(1)
	2	45-88-7955 1/4" Spring Lockwasher	(1)
	3	43-46-0100 Vacuum Gauge	(1)
	4	43-62-0940 Handle	(1)
	5	43-64-0130 Head	(1)
	6	43-44-0740 Head Gasket	(1)
	7	06-75-0013 6-32 x .62 Hex Hd. Cap Screw	(1)
	8	45-52-2030 Valve Limiter	(1)
	9	45-80-0190 Leaf Valve - Bent	(1)
	10	44-66-5535 Valve Plate	(1)
	11	45-80-0200 Leaf Valve	(1)
	12	44-86-0460 Valve Retainer	(1)
	13	06-55-0630 6-32 Hex Nut	(1)
	14	34-40-4070 Cylinder O-Ring	(1)
	15	42-98-0180 Cylinder	(1)
	16	45-14-0181 Shim Assortment (See Reverse Side)	(1)
	17	22-64-2800 Cord Set	(1)
	18	23-30-0190 Body Assembly	(1)
	18a	42-92-0780 Rear Cover (not shown)	(1)
	18b	23-58-0760 Stator (not shown)	(1)
	19	06-81-7380 10-32 x 1/2" Fil. Hd. Sem.	(4)
	20	42-36-0426 Pump Bracket	(1)
	21	06-81-4735 1/4-20 x 1" Round Hd. Mach. Screw	(4)
	22	44-52-0110 Mounting Pad	(4)
	23	45-88-0660 1/4" Flat Washer	(4)
	24	06-55-1500 1/4-20 Hex Nut	(4)
	25	43-52-0060 Grille	(1)
	26	22-84-0810 Fan	(1)
	27	44-94-0320 Connecting Rod Assembly	(1)
	28	22-72-0040 Cup	(1)
	29	44-66-5530 Retainer Plate	(1)
	30	06-81-2671 10-24 x .50 Flat Hd. Mach. Screw	(2)
	31	42-40-0840 Snap Bushing	(1)
	32	06-81-5470 6-32 x .19 Pan Hd. Mach. Screw	(1)
	33	22-90-0160 Grommet	(1)
	34	22-12-0190 Metal Box	(1)
	35	44-52-0265 Foam Pad	(1)
	36	06-81-2574 8-32 x .38 Flat Hd. Mach. Screw	(1)
	37	22-33-0300 Capacitor	(1)
	38	06-75-0016 8-32 x .38 Hex Hd. Mach. Screw	(1)
	39	45-06-0370 Capacitor boot	(1)
	40	42-90-0115 Male Coupling	(1)
	41	43-33-0200 Tee Fitting	(1)
	42	45-80-0080 Air Cock Valve	(1)
	43	43-33-0210 Nipple Fitting	(1)
	44	43-31-0310 Air Filter (Incl. Fig. Nos. 45 thru 50)	(1)
	45	42-92-0560 Cover	(1)
	46	43-44-0750 Gasket	(1)
	47	----- Replacement Felt - Long	(1)
	48	----- Replacement Felt - Short	(2)
	49	----- Filter Screw	(1)
	50	42-96-0100 Plastic Jar	(1)
	51	43-33-0500 1/4 x 2" Straight Nipple	(1)
	52	43-33-0200 Tee Fitting	(1)
	53	45-80-0180 Check Valve	(1)
	54	43-33-0505 1/4" Street Ell	(1)
	55	06-75-0251 1/4-20 x 3" Hex Hd. Cap Screw	(2)



**NOTE:** 14-46-0115 Filter Kit  
(Includes Fig. Nos. 47, 48, & 49)

**MILWAUKEE ELECTRIC TOOL CORPORATION**  
13135 W. Lisbon Road, Brookfield, WI 53005  
Drwg. 1

