



SERVICE PARTS LIST

BUL. 54-34-0120

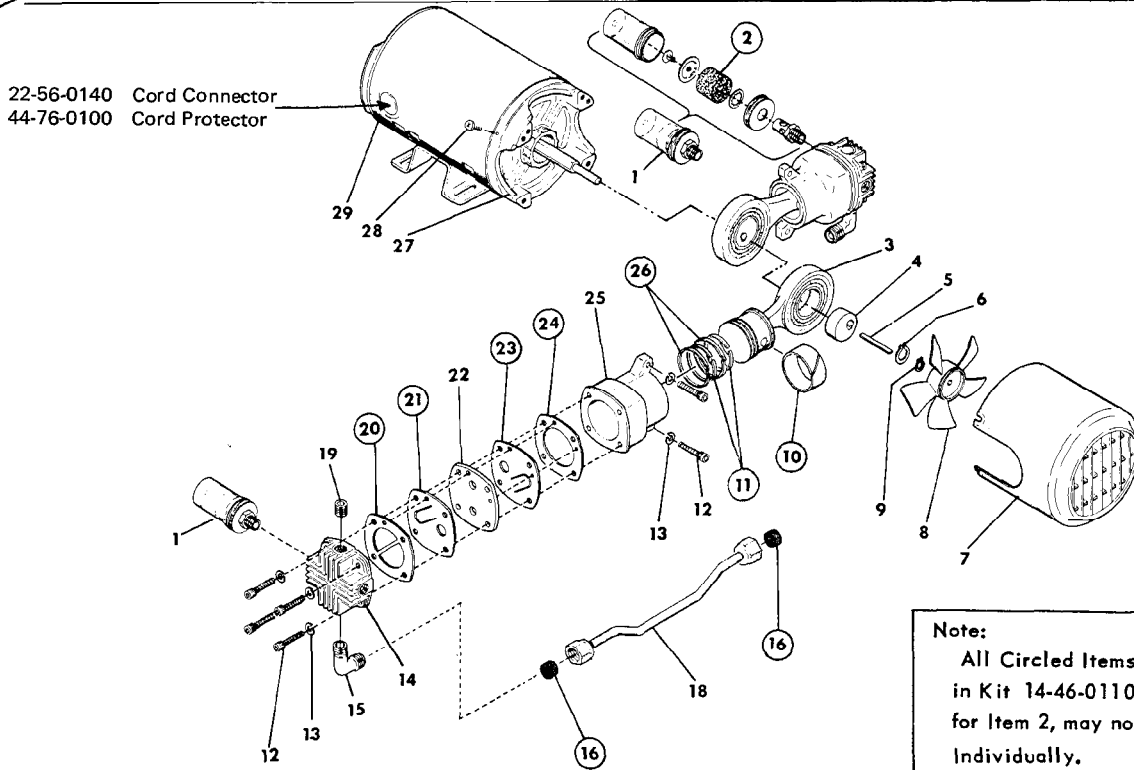
VACUUM PUMP - 220 VOLT

REVISED BUL. _____ DATE
March '81

Cat.No. 49-50-0116

Starting
Serial No.

WIRING INSTR.



Note:
All Circled Items are Included in Kit 14-46-0110 and Except for Item 2, may not be Ordered Individually.

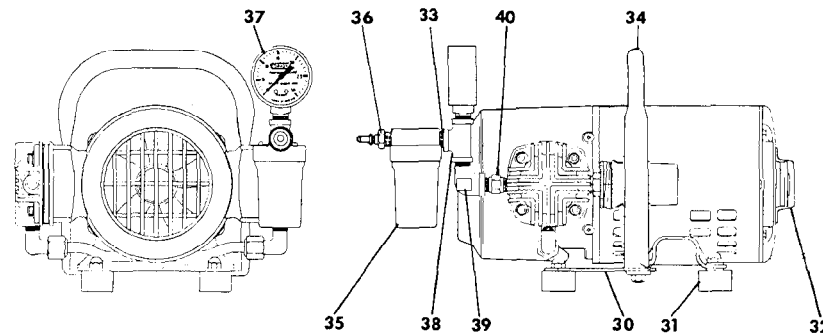


FIG.	PART NO.	DESCRIPTION OF PART	NO. REQ.	FIG.	PART NO.	DESCRIPTION OF PART	NO. REQ.
1	43-31-0290	Inlet Filter Assy.(incl.fig.2)	(2)	22	44-66-5310	Valve Plate	(2)
2	43-31-0300	Felt Filter	(2)	23	-	Inlet Valve	(2)
3	44-94-0190	Piston Rod Assembly	(2)	24	-	Cylinder Gasket	(2)
4	43-16-0070	Eccentric	(2)	25	42-98-0110	Cylinder	(2)
5	43-96-0080	Flat Key	(1)	26	-	Piston Ring	(4)
6	44-90-4205	Grip Ring	(1)	27	42-36-0710	Bracket	(1)
7	45-12-0275	Shroud	(1)	28	06-81-0061	Screw	(4)
8	22-84-0465	Fan	(1)	29	23-30-0135	Motor	(1)
9	44-90-4210	Retaining Ring	(1)	30	44-66-5315	Motor Mounting Plate	(1)
10	-	Rider Ring	(2)	31	44-52-0110	Mounting Pad	(4)
11	-	Piston Seal	(4)	32	23-66-0075	Switch and Mounting Bracket	(1)
12	06-75-3100	Head or Cylinder Screw	(12)	33	43-33-0210	Nipple	(1)
13	06-97-4000	Lockwasher	(12)	34	43-62-0530	Handle	(1)
14	43-64-0110	Cylinder Head	(2)	35	43-31-0310	Filter	(1)
15	43-33-0170	Elbow Fitting	(2)	36	42-90-0110	Coupling	(1)
16	-	Manifold Sleeve	(2)	37	43-46-0100	Gauge	(1)
18	45-76-0175	Manifold Assembly	(1)	38	43-33-0200	Tee	(1)
19	44-68-0150	Pipe Plug	(3)	39	43-33-0190	Elbow	(1)
20	-	Head Gasket	(2)	40	45-80-0140	Check Valve	(1)
21	-	Outlet Valve	(2)				