



SERVICE PARTS LIST

VACUUM PUMP

Cat.No. 49-50-0115

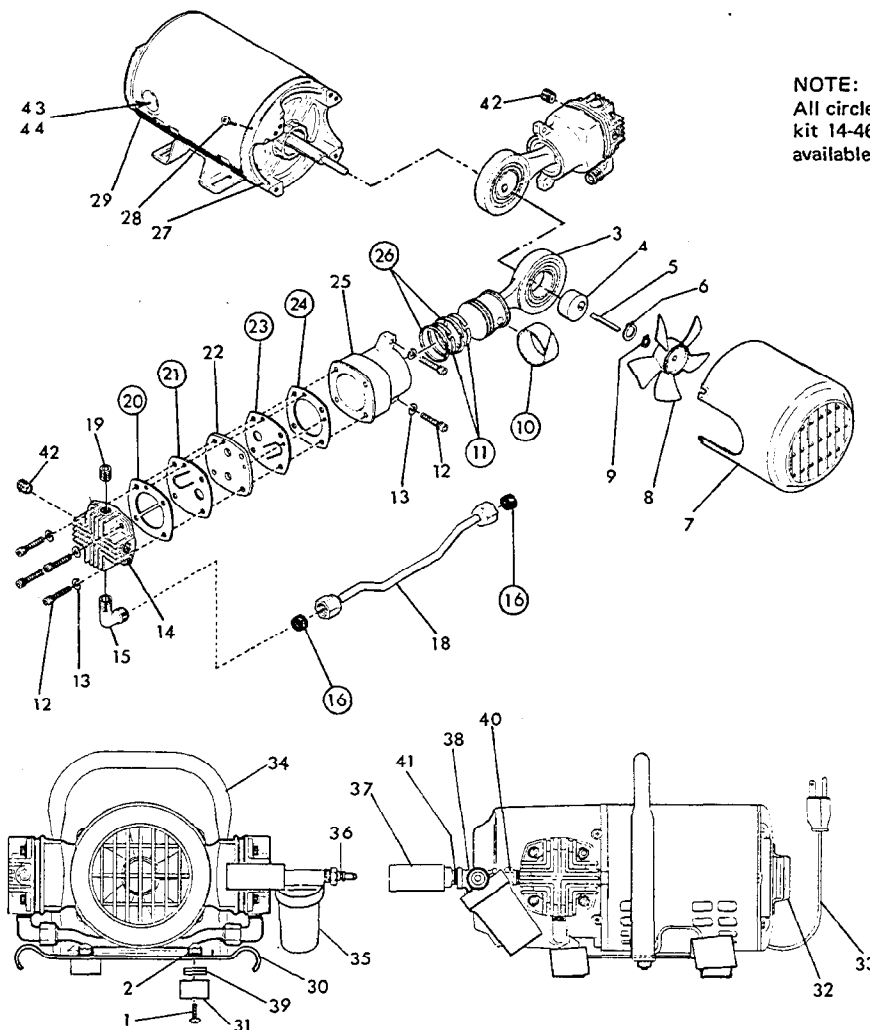
Starting
Serial No.

Specify Catalog and Serial No. when ordering parts

BUL. 54-34-0110

REVISED BUL. DATE
Sept. '90

WIRING INSTRUCTIONS



NOTE:
All circled items are included in
kit 14-46-0110 and are not
available as individual parts.

FIG.	PART NO.	DESCRIPTION OF PART	NO. REQ.	FIG.	PART NO.	DESCRIPTION OF PART	NO. REQ.
1	06-81-7850	1/4-20x1" Phit. Hd Sem	(6)	23	---	Inlet Valve	(2)
2	06-55-1500	1/4-20 Hex Nut	(6)	24	---	Cylinder Gasket	(2)
3	44-94-0190	Piston Rod Assembly	(2)	25	42-98-0110	Cylinder	(2)
4	43-16-0070	Eccentric	(2)	26	---	Piston Ring	(4)
5	43-96-0080	Flat Key	(1)	27	42-36-0710	Bracket	(1)
6	44-90-4205	Grip Ring	(1)	28	06-81-0061	Screw	(4)
7	45-12-0275	Shroud	(1)	29	23-30-0130	Motor	(1)
8	22-84-0465	Fan	(1)	30	42-36-0420	Pump Mounting Bracket	(1)
9	44-90-4210	Retaining Ring	(1)	31	44-52-0110	Mounting Pad	(4)
10	---	Rider Ring	(2)	32	23-66-0075	Switch and Mounting Bracket	(1)
11	---	Piston Seal	(4)	33	22-64-0170	Cord Set	(1)
12	06-75-3100	Head or Cylinder Screw	(12)	34	43-62-0530	Handle	(1)
13	06-97-4000	Lockwasher	(12)	35	43-31-0310	Filter	(1)
14	43-64-0110	Cylinder Head	(2)	36	42-90-0110	Coupling	(1)
15	43-33-0170	Elbow Fitting	(2)	37	43-46-0100	Gauge	(1)
16	---	Manifold Sleeve	(2)	38	43-33-0200	Tee	(1)
18	45-76-0175	Manifold Assembly	(1)	39	45-88-5247	1/8" Spacer	(8)
19	44-68-0150	Pipe Plug	(3)	40	45-80-0140	Check Valve	(1)
20	---	Head Gasket	(2)	41	43-33-0210	Nipple	(1)
21	---	Outlet Valve	(2)	42	43-31-0291	Muffler Orifice	(2)
22	44-66-5310	Valve Plate	(2)	★ 43	22-56-0140	Cord Connector (Not Shown)	(1)
				★ 44	44-76-0100	Cord Protector (Not Shown)	(1)