



SERVICE PARTS LIST

VACUUM PUMP

Cat.No. 49-50-0115

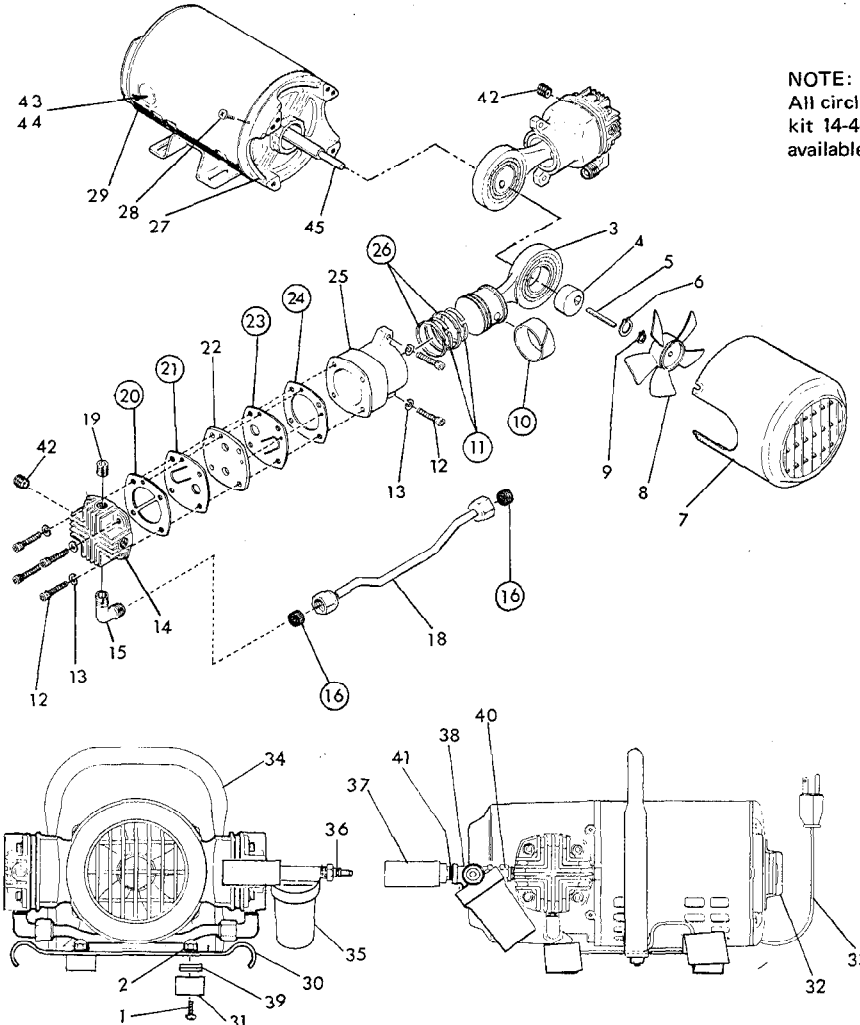
Starting
Serial No. 6-82

Specify Catalog and Serial No. when ordering parts

BUL. 54-34-0111

REVISED BUL. DATE
Sept. '90

WIRING INSTRUCTIONS



NOTE:
All circled items are included in kit 14-46-0110 and are not available as individual parts.

FIG.	PART NO.	DESCRIPTION OF PART	NO. REQ.	FIG.	PART NO.	DESCRIPTION OF PART	NO. REQ.	
	1	06-81-7850	1/4-20x1" Phil. Hd Sem	(6)	24	---	Cylinder Gasket	(2)
	2	06-55-1500	1/4-20 Hex Nut	(6)	25	42-98-0110	Cylinder	(2)
	3	44-94-0190	Piston Rod Assembly	(2)	26	---	Piston Ring	(4)
	4	43-16-0070	Eccentric	(2)	★ 27	42-36-0711	Bracket	(1)
	5	43-96-0080	Flat Key	(1)	28	06-81-0061	Screw	(4)
	6	44-90-4205	Grip Ring	(1)	★ 29	23-30-0132	Motor (Includes 42-36-0711 Bracket)	(1)
	7	45-12-0275	Shroud	(1)	30	42-36-0420	Pump Mounting Bracket	(1)
	8	22-84-0465	Fan	(1)	31	44-52-0110	Mounting Pad	(4)
	9	44-90-4210	Retaining Ring	(1)	32	23-66-0075	Switch and Mounting Bracket	(1)
	10	---	Rider Ring	(2)	33	22-64-0170	Cord Set	(1)
	11	---	Piston Seal	(4)	34	43-62-0530	Handle	(1)
	12	06-75-3100	Head or Cylinder Screw	(12)	35	43-31-0310	Filter	(1)
	13	06-97-4000	Lockwasher	(12)	36	42-90-0110	Coupling	(1)
	14	43-64-0110	Cylinder Head	(2)	37	43-46-0100	Gauge	(1)
	15	43-33-0170	Elbow Fitting	(2)	38	43-33-0200	Tee	(1)
	16	---	Manifold Sleeve	(2)	39	45-88-5247	1/8" Spacer	(8)
	18	45-76-0175	Manifold Assembly	(1)	40	45-80-0140	Check Valve	(1)
	19	44-68-0150	Pipe Plug	(3)	41	43-33-0210	Nipple	(1)
	20	---	Head Gasket	(2)	42	43-31-0291	Muffler Orifice	(2)
	21	---	Outlet Valve	(2)	43	22-56-0140	Cord Connector (Not Shown)	(1)
	22	44-66-5310	Valve Plate	(2)	44	44-76-0100	Cord Protector (Not Shown)	(1)
	23	---	Inlet Valve	(2)	★ 45	44-60-0870	Fan Pin	(1)