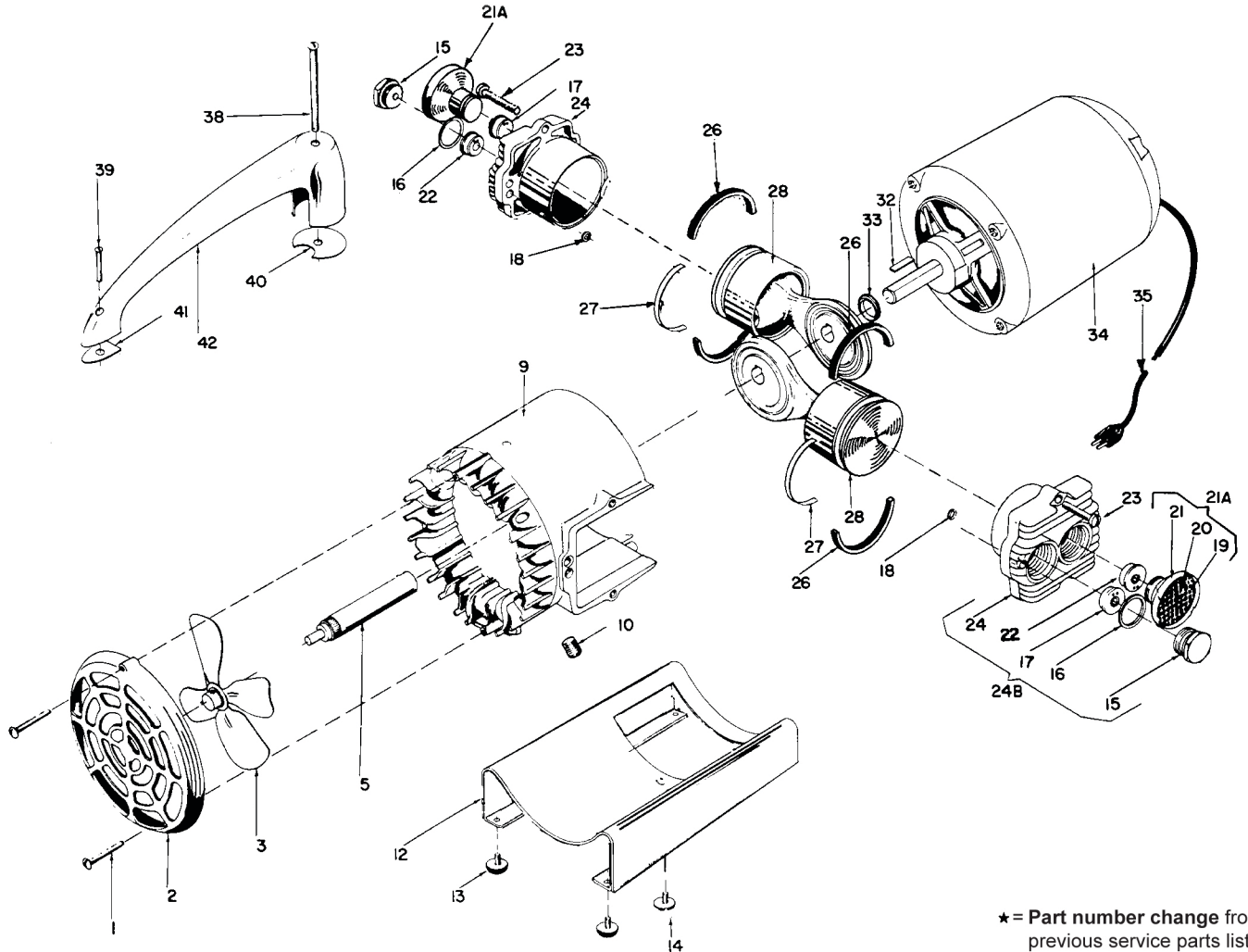




SERVICE PARTS LIST

BULLETIN NO.
54-34-0100

SPECIFY CATALOG NO. AND SERIAL NO. WHEN ORDERING PARTS		REVISED BULLETIN 6372-1	DATE Dec. 2013
VACUUM PUMP			
CATALOG NO. 49-50-0100	SERIAL NUMBER	WIRING INSTRUCTION	



* = Part number change from previous service parts list.

ILLUSTRATED PARTS

FIG.	PART NO.	DESCRIPTION	NO. REQ.	FIG.	PART NO.	DESCRIPTION	NO. REQ.
1	06-81-6400	Grill Screw	(2)	23	06-81-7850	1/4-20x1 Fil.Hd.Sems. Cylinder Head Scr.	(6)
2	43-52-0050	Grill		*24	43-64-0090	Cylinder Head & Sleeve Assembly	(2)
*3	22-08-0220	Fan		24b	43-64-0100	Cylinder Head Assembly (Complete)	(2)
*5	45-08-0110	Fan Shaft		26	44-90-0190	Piston Ring	(2)
9	43-76-0090	Housing Assembly		27	40-50-5290	Piston Ring Spring	(2)
10	06-67-0050	1/4" Body Plug		*28	44-94-0150	Piston Rod & Bearing Assembly	(2)
*12	44-66-5220	Base Plate		32	43-96-0070	Motor Shaft Key	
13	44-52-0070	Base Plate Support Cushion	(4)	33	44-90-0200	Motor Shaft Spacer Ring	
14	06-81-4700	1/4-20x1/2 Rd.Hd. Base Plate Scrs.	(2)	*34	23-30-0070	Motor	
15	44-68-0120	Exhaust Valve Plug	(2)	*35	22-64-0400	Cord Set	
16	43-44-0100	Plug Gasket	(2)	38	06-81-6750	8-32 Fil.Hd. Switch Handle Screw	
17	45-80-0100	Valve Assembly	(2)	39	06-81-6300	8-32x7/8 Fil.Hd. Sems Switch Handle Screw	
18	43-44-0110	Gasket	(2)	40	43-44-0130	Handle Gasket	
19	45-12-0170	Filter Screen	(2)	41	43-44-0140	Handle Gasket (Small)	
20	43-31-0060	Filter Felt	(2)	42	43-62-0310	Handle	
21	42-54-0110	Filter Case	(2)				
21a	42-54-0120	Filter Case Assembly	(2)				
22	45-80-0090	Valve Assembly	(2)				

MISCELLANEOUS PARTS NOT SHOWN

PART NO.	DESCRIPTION OF PART	PART NO.	DESCRIPTION OF PART
*34-60-2290	Grip Ring	23-66-0360	Motor Switch
*44-90-0240	Piston Ring	22-75-0050	On-Off Switch Dial

MILWAUKEE ELECTRIC TOOL CORPORATION
13135 W. LISBON RD., BROOKFIELD, WI 53005