



SERVICE PARTS LIST

BULLETIN NO.
54-06-7005

SPECIFY CATALOG NO. AND SERIAL NO. WHEN ORDERING PARTS		REVISED BULLETIN	DATE
CORDLESS M28 LED WORKLIGHT			Jan. 2011
CATALOG NO. 49-24-0187	STARTING SERIAL NO. C45A	WIRING INSTRUCTION SEE REVERSE SIDE	

00 0 **EXAMPLE:**
Component Parts (Small #) Are Included
When Ordering The Assembly (Large #).

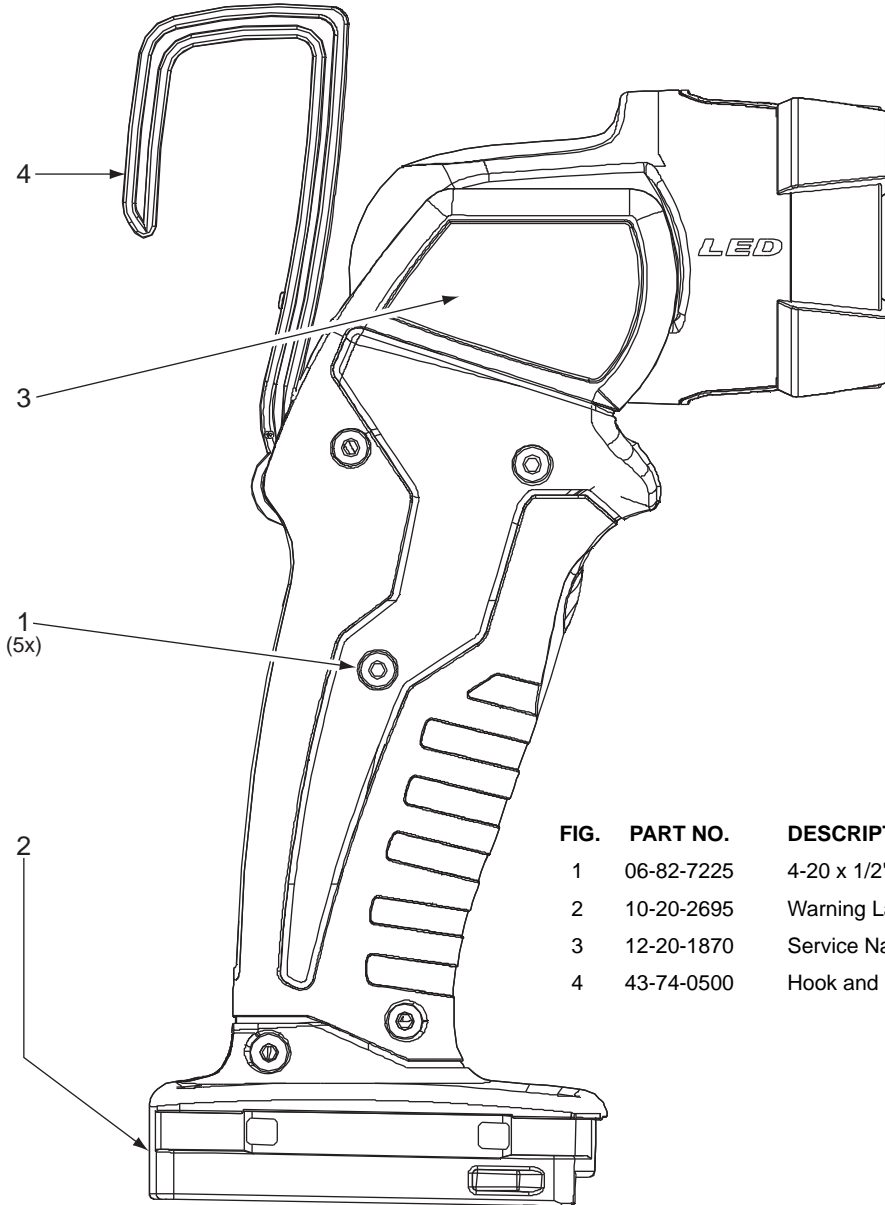


FIG.	PART NO.	DESCRIPTION OF PART	NO. REQ.
1	06-82-7225	4-20 x 1/2" Pan Hd. Plastite T-10 Screw	(5)
2	10-20-2695	Warning Label (Not pictured)	(1)
3	12-20-1870	Service Nameplate	(1)
4	43-74-0500	Hook and Pivot Pin Assembly	(1)