



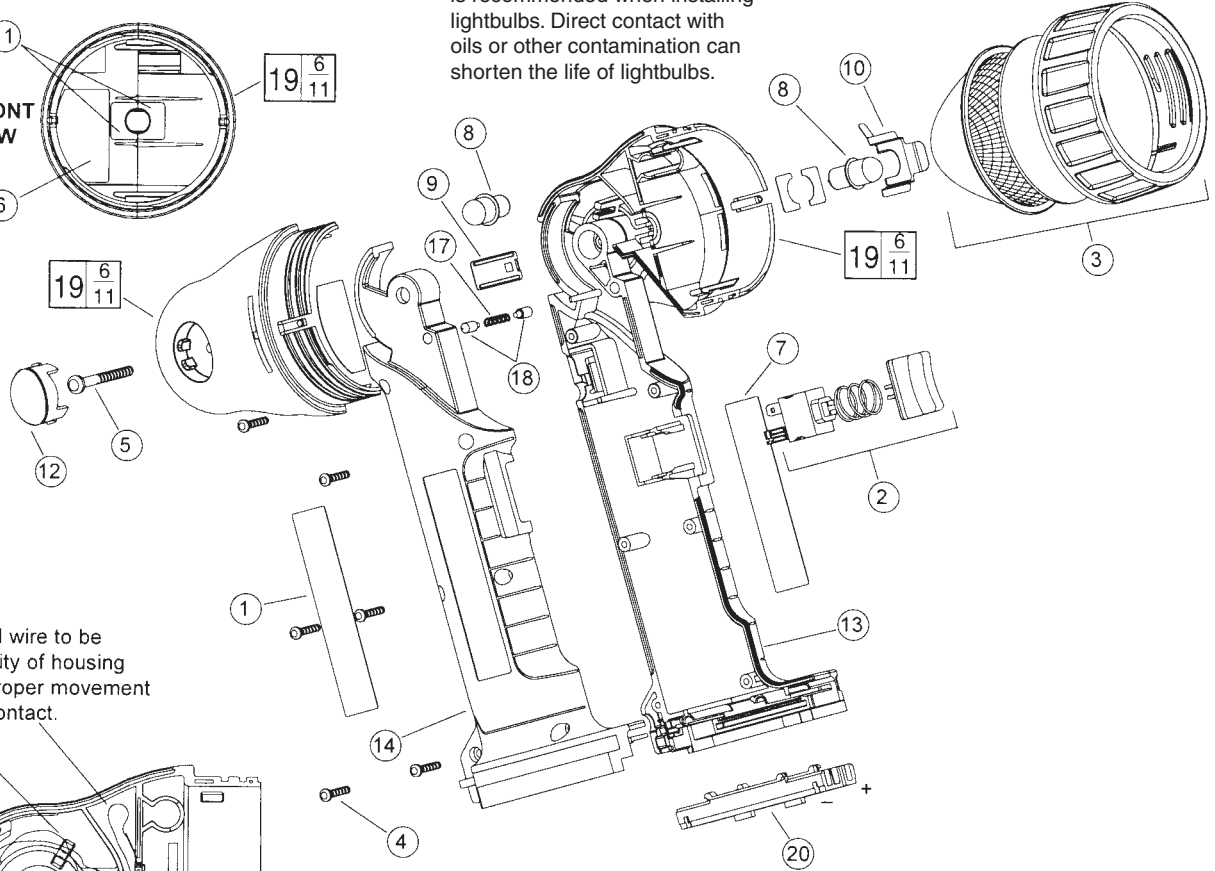
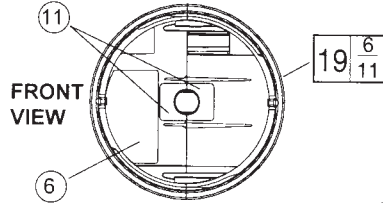
# SERVICE PARTS LIST

**BULLETIN NO.**  
**54-06-9950**

SPECIFY CATALOG NO. AND SERIAL NO. WHEN ORDERING PARTS		REVISED BULLETIN	DATE
18 VOLT WORKLIGHT			July 2007
CATALOG NO. <b>49-24-0160</b>	STARTING SERIAL NO.	WIRING INSTRUCTION <b>See Below</b>	

**EXAMPLE:**  
Component Parts (Small #) Are Included  
When Ordering The Assembly (Large #).

**NOTE:** The use of a soft cloth is recommended when installing lightbulbs. Direct contact with oils or other contamination can shorten the life of lightbulbs.



Negative lead wire to be looped in cavity of housing to allow for proper movement of negative contact.

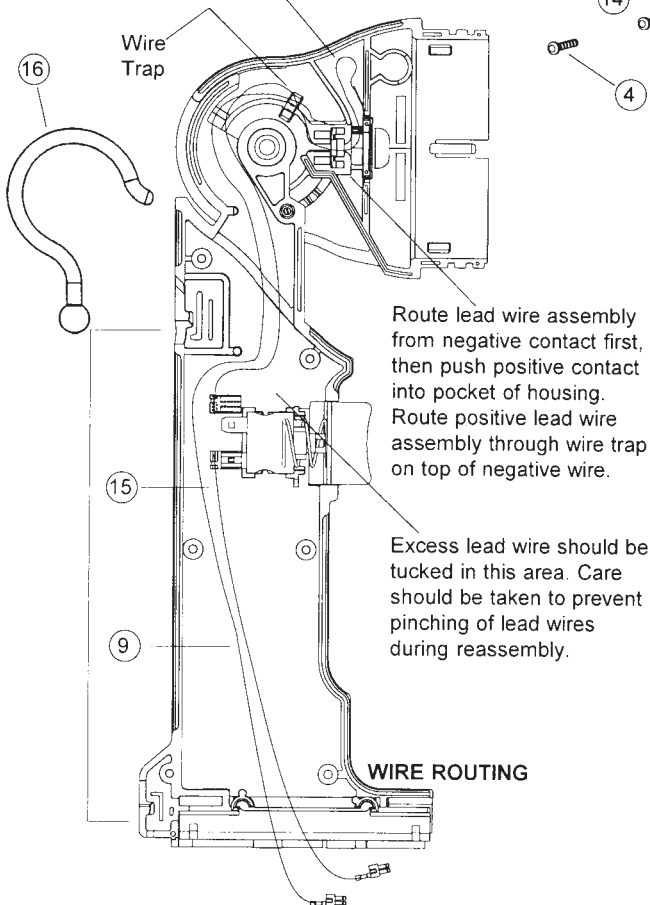


FIG.	PART NO.	DESCRIPTION OF PART	QTY.
1	12-20-0740	Service Nameplate Set	(1)
2	23-66-1991	Switch Assembly	(1)
*3	31-58-0675	Bezel Assembly	(1)
4	06-82-7236	4-20 x 5/8" Pan Hd. Slit. Plastite T-20	(6)
5	06-82-7344	7-18 x 1-1/2" Pan Hd. Slit. Plastite T-20	(1)
6	10-15-1595	Label - Bulb Instruction	(1)
7	10-20-1740	Product Label	(1)
8	49-81-0030	Light Bulb (Pack of 2)	(1)
9	22-58-0141	Bulb Contact Assembly - Positive	(1)
10	22-58-0126	Bulb Contact Assembly - Negative	(1)
11	23-16-0550	Insulator	(2)
12	31-12-0230	Cap	(1)
13	31-44-2051	Left Handle Half	(1)
14	31-44-2056	Right Handle Half	(1)
15	23-94-6625	Lead Wire Assembly	(1)
16	43-74-0220	Hook	(1)
17	40-50-1320	Compression Spring	(1)
18	44-60-0020	Detent Pin	(2)
19	31-50-0515	Housing Assembly	(1)
20	22-56-0200	Connector Block	(1)

**NOTE:** When bulb becomes dim, do not continue to use worklight. Remove battery and charge. Failure to do so can result in a deep discharge and damage or destroy battery.