



# SERVICE PARTS LIST

**BULLETIN NO.**  
54-28-0410

SPECIFY CATALOG NO. AND SERIAL NO. WHEN ORDERING PARTS		REVISED BULLETIN	DATE
VACUUM PAD ASSEMBLY (DOUBLE PAD).			March '81
CATALOG NO. 49-22-7090	STARTING SERIAL NO.	WIRING INSTRUCTION	

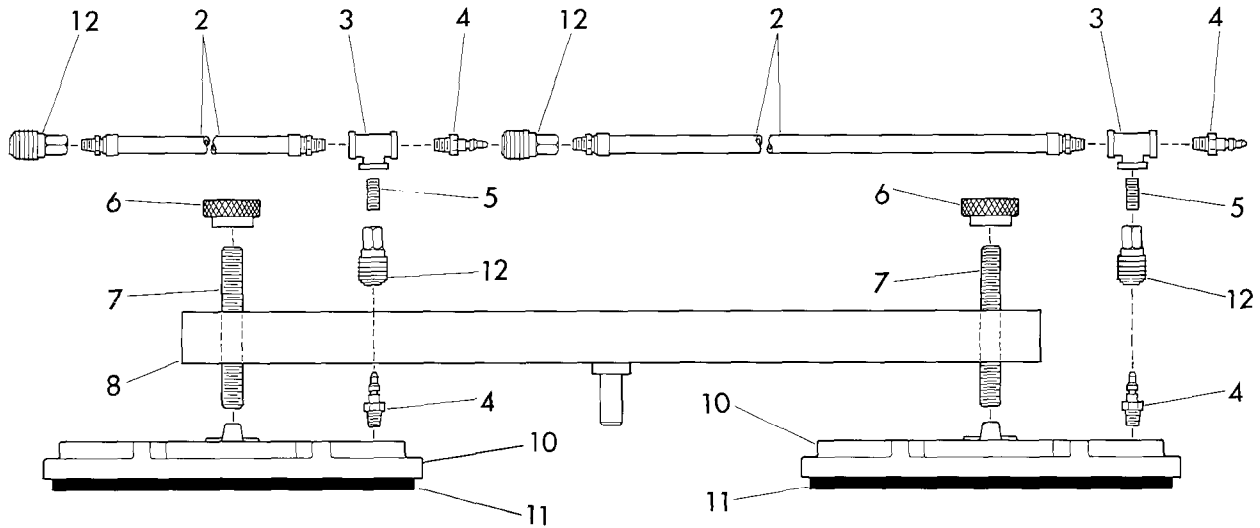


FIG.	PART NO.	DESCRIPTION OF PART	NO. REQ.
1	49-22-7090	Double Vacuum Pad Assembly (Includes Fig. Nos. 2 thru 12)	(1)
2	14-37-0130	32" Hose Assembly	(2)
3	43-33-0200	Tee Fitting	(2)
4	42-90-0110	Male Coupling	(4)
5	43-33-0210	Nipple Fitting	(2)
6	44-40-0200	Hold Down Nut	(2)
7	06-92-1400	8" Vacuum Pad Stud	(2)
8	42-18-0095	Cross Bar Assembly	(1)
9	14-65-0210	Vacuum Pad Assembly (Incl. Nos. 10 & 11)	(2)
10	-	Vacuum Pad	(2)
11	43-44-0570	Vacuum Pad Gasket	(2)
12	42-90-0120	Female Coupling	(4)