



SERVICE PARTS LIST

BULLETIN NO.
54-40-9015

SPECIFY CATALOG NO. AND SERIAL NO. WHEN ORDERING PARTS		REVISED BULLETIN	DATE
PIPE CLAMP SYSTEM			Mar. 2000
CATALOG NO. 49-22-1012	STARTING SERIAL NUMBER	WIRING INSTRUCTION	

EXAMPLE:

00/0

Component Parts (Small #)
Are Included When Ordering
The Assembly (Large #).

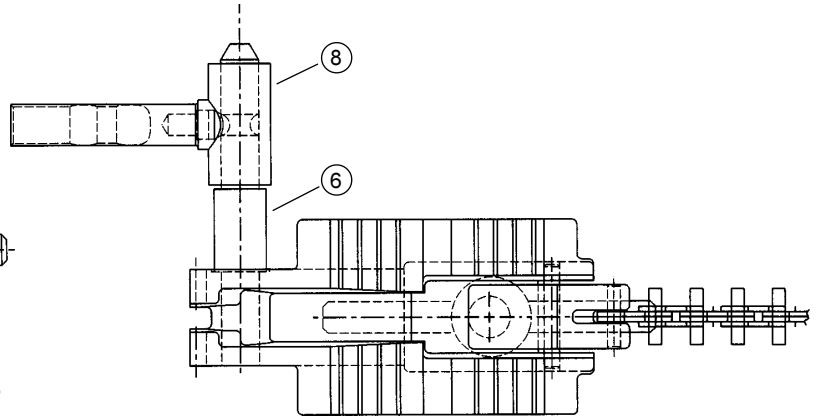
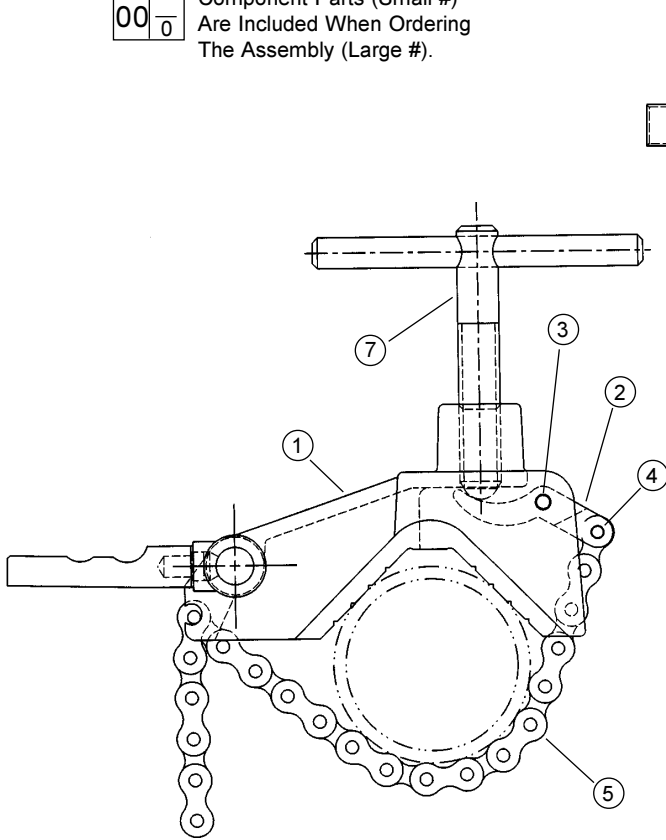


FIG.	PART NO.	DESCRIPTION OF PART	QTY.
1	30-20-0061	Chain Clamp Body	(1)
2	30-58-0051	Pivot Lever	(1)
3	44-60-0010	Dowel Pin	(1)
4	44-60-0080	Dowel Pin	(1)
5	42-60-0010	Wrench Chain	(1)
6	44-60-0040	Adapter Pin	(1)
7	38-50-0010	Clamp Spindle	(1)
★ 8	45-16-0611	Pipe Clamp Shoe Post Assembly	(1)

NOTES:

1. Press dowel pin Item 4, tapered side first to a depth of .015" above to .045" below cast surface of pivot lever, Item 2.
2. Press dowel pin, Item 3, tapered side first to a depth of .045" +/- .020" below cast surface of chain clamp body, Item 1.
3. Press adapter pin, Item 6, into chain clamp body, Item 1, flush to a dead stop at shoulder on pin. A max gap of .005" between shoulder and chain clamp body is permissible.