



SERVICE PARTS LIST

ROTARY HAMMER DEPTH GAUGE

Catalog No.

49-11-0090

BUL. 54-24-1050

REVISED BUL.

DATE

Mar. '74

WIRING INSTRUCTIONS

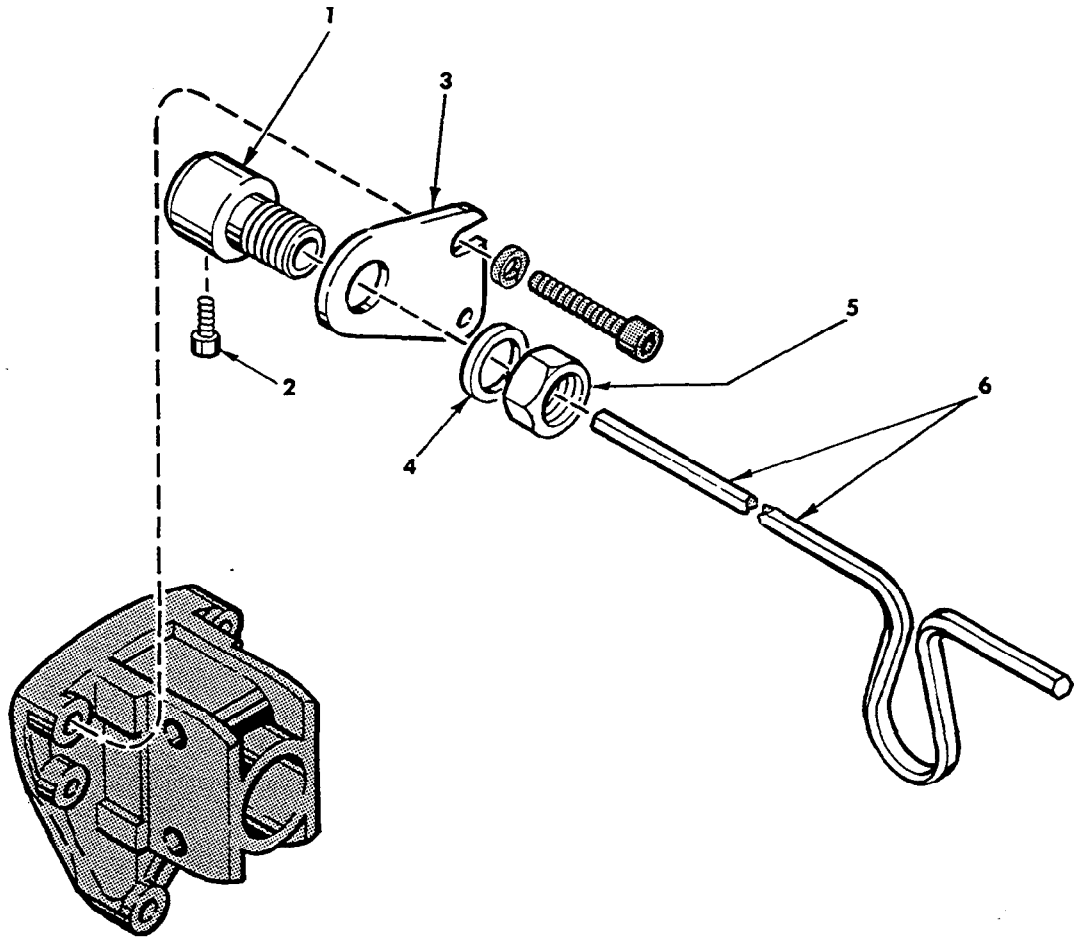


FIG.	PART NO.	DESCRIPTION OF PART	NO. REQ.
1	43-76-0370	Depth Gauge Housing	(1)
2	06-75-2950	1/4-20x1/2 Skt. Hd. Screw	(1)
3	42-36-0970	Depth Gauge Bracket	(1)
4	06-97-4200	1/2" Lockwasher	(1)
5	06-55-3100	1/2-20 Hex Nut	(1)
6	44-94-0230	Depth Gauge Rod	(1)
7	49-96-0085	3/16" Hex Key (Not Shown)	(1)