



SERVICE PARTS LIST

BULLETIN NO.
54-49-0240

SPECIFY CATALOG NO. AND SERIAL NO. WHEN ORDERING PARTS		REVISED BULLETIN	DATE
Trade Titan Industrial Cart Accessories			Apr. 2006
CATALOG NO.	SERIAL NUMBER	WIRING INSTRUCTION	

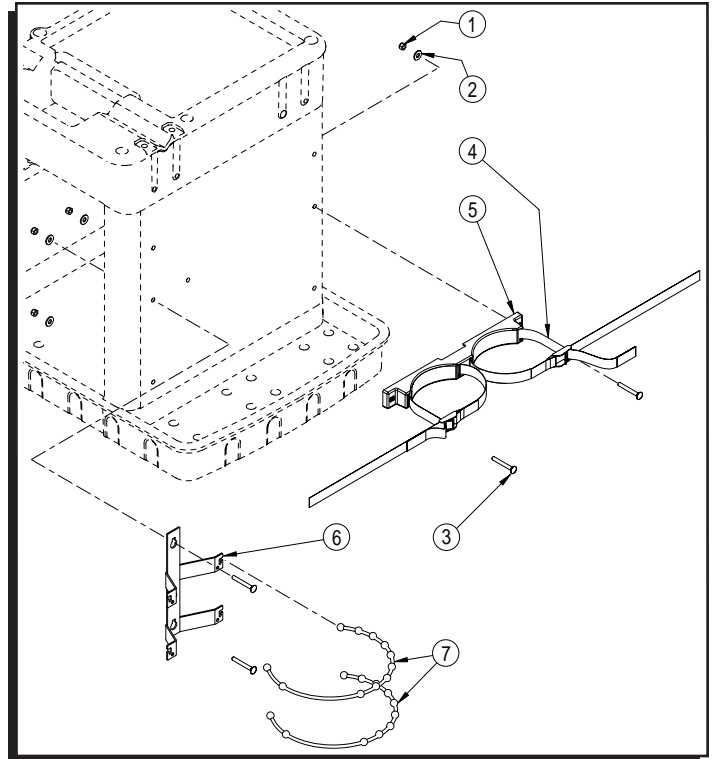
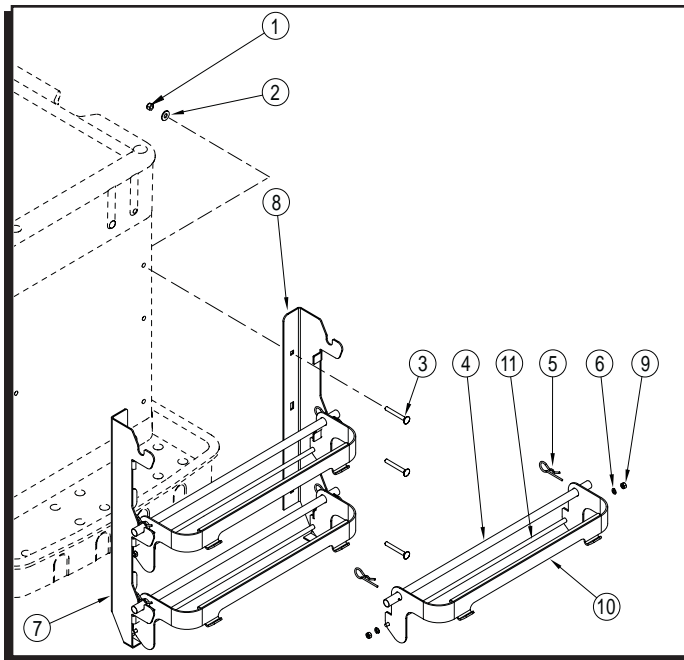
EXAMPLE:

00	0
----	---

 Component Parts (Small #) Are Included
 When Ordering The Assembly (Large #).

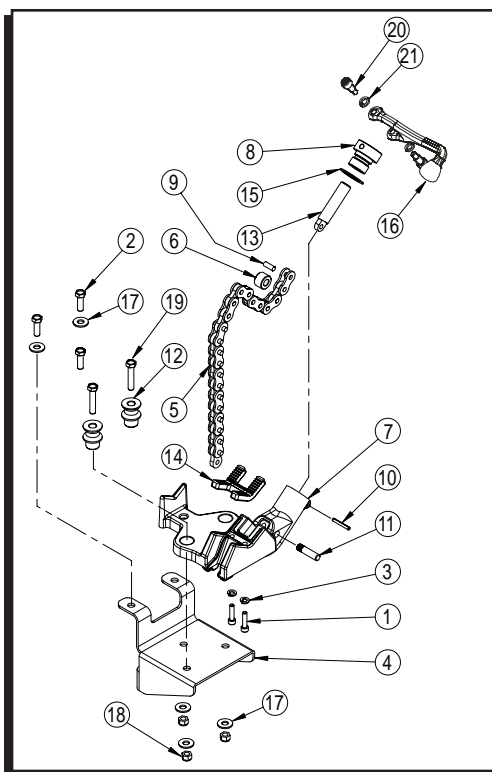
Cat. No. 48-60-5105
Trade Titan Tank and Extinguisher Kit

FIG.	PART NO.	DESCRIPTION OF PART	NO. REQ.
1	06-57-5045	5/16-18 Lock Nut	(4)
2	45-88-8460	5/16 Washer	(4)
3	-----	5/16 x 2-1/2" Carriage Bolt	(4)
4	-----	Tank Strap	(2)
5	-----	Tank Holder	(1)
6	-----	Fire Extinguisher Mount	(1)
7	-----	Fire Extinguisher Strap	(2)



Cat. No. 48-60-5100
Trade Titan Removable Wire Rack

FIG.	PART NO.	DESCRIPTION OF PART	NO. REQ.
1	06-57-5045	5/16-18 Lock Nut	(6)
2	45-88-8460	5/16 Washer	(6)
3	-----	5/16 x 2" Carriage Bolt	(6)
4	-----	Shaft Center	(3)
5	-----	Hitch Pin	(6)
6	06-97-4000	1/4 Split Ring Lock Washer	(6)
7	44-81-0020	Left Vertical Rail	(1)
8	44-81-0015	Right Vertical Rail	(1)
9	06-55-1525	1/4-20 Hex Nut	(6)
10	42-36-0105	Wire Reel Bracket	(3)
11	-----	Rod	(3)



Cat. No. 48-60-5115
Trade Titan 2-1/2" Chain Vise

FIG.	PART NO.	DESCRIPTION OF PART	NO. REQ.
1	05-74-0625	M6 x 1.25 Socket Hd. Cap Screw	(2)
2	06-75-0040	5/16-18 x 1.25 Hex Hd. Mach. Screw	(3)
3	06-97-4000	1/4 Split Ring Lock Washer	(2)
4	42-36-0405	Vise Mounting Bracket	(1)
5	42-60-0080	Chain	(1)
6	43-56-0040	Chain Guide	(1)
7	43-76-0075	Vise Housing	(1)
8	44-34-0030	Handle Mount	(1)
9	44-60-0145	Chain Pin Screw	(1)
10	44-60-0155	Handle Mount Pin	(1)
11	44-60-0165	Chain Disk Pin	(1)
12	44-74-0075	Conduit Post	(2)
13	45-04-0080	Chain Screw	(1)
14	45-84-0020	Vise V Groove	(1)
15	45-88-1590	Hardened Washer	(1)
16	43-62-0075	Handle	(1)
17	45-88-1790	5/16 Washer	(5)
18	06-57-5045	5/16-18 Lock Nut	(3)
19	06-75-0348	5/16-18 x 2.25 Hex Hd. Mach. Screw	(2)
20	05-74-0045	Socket Head Screw	(2)
21	06-97-0045	Split Ring Lock Washer	(2)