



SERVICE PARTS LIST

BULLETIN NO.
54-49-0230

SPECIFY CATALOG NO. AND SERIAL NO. WHEN ORDERING PARTS		REVISED BULLETIN	DATE
Trade Titan Industrial Cart with cabinet			Nov. 2005
CATALOG NO. 48-60-5015	SERIAL NUMBER	WIRING INSTRUCTION	

EXAMPLE:

00	0
----	---

 Component Parts (Small #)
 Are Included When Ordering
 The Assembly (Large #).

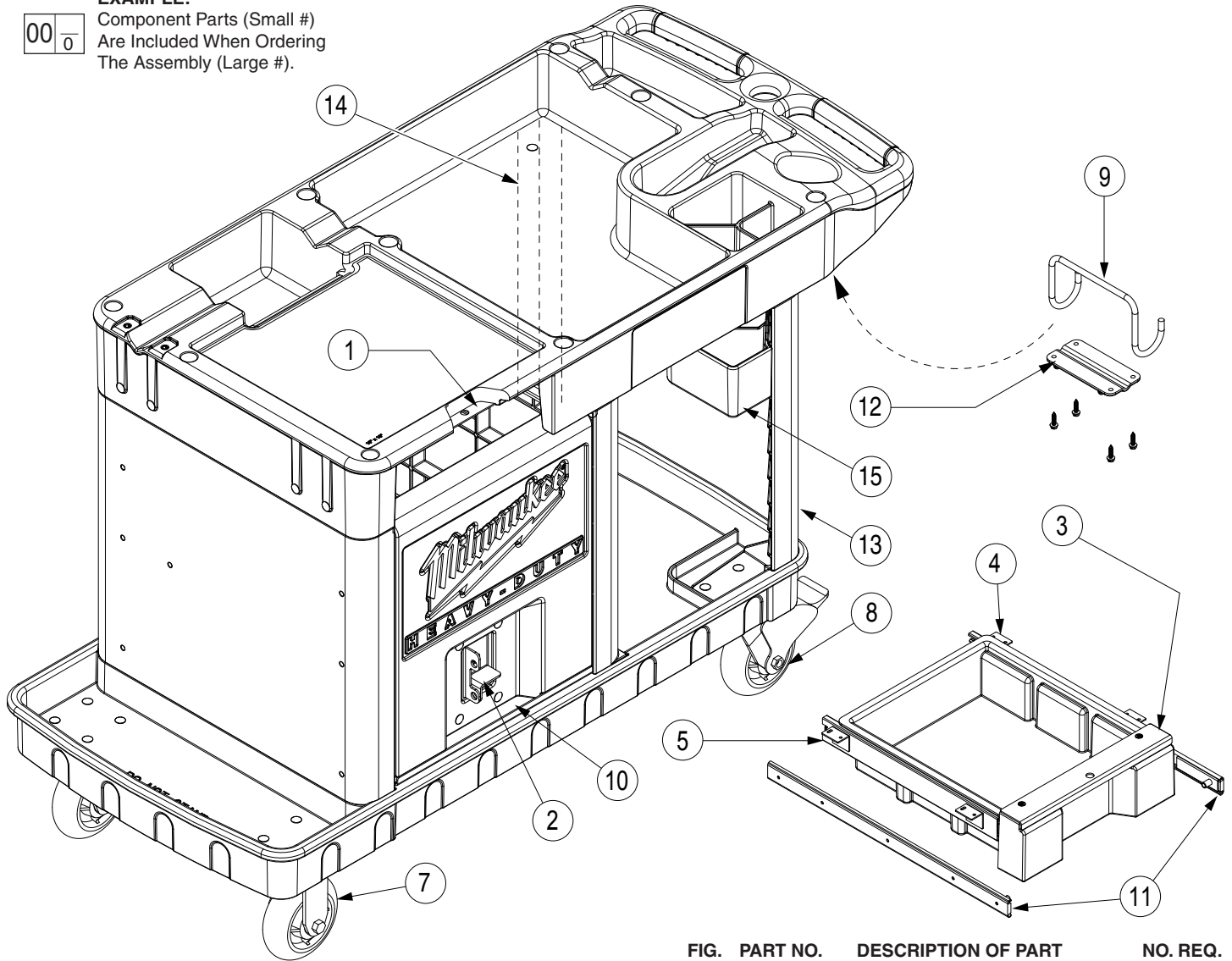


FIG.	PART NO.	DESCRIPTION OF PART	NO. REQ.
1	42-36-0085	Drawer Lock Bracket	(1)
2	43-62-0035	Door Lock Assembly	(1)
3	43-62-0065	Drawer Handle	(1)
4	43-56-0425	Drawer Glide Assembly - Right	(1)
5	43-56-0415	Drawer Glide Assembly - Left	(1)
7	45-94-0445	Fixed Caster Assembly	(2)
8	45-94-0440	Swivel Caster Assembly	(2)
9	43-74-0280	Radio Hook	(1)
10	43-70-0020	Door Handle	(1)
11	43-56-0435	Linear Slide	(2)
12	31-15-0045	Radio Hook Plate	(1)
13	31-10-0410	Rear Upright - Left	(1)
14	31-10-0415	Rear Upright - Right	(1)
15	31-10-0420	Vertical Shelf	(1)
	12-99-0053	Service Nameplate Kit (Not Shown)	(1)
	14-46-0070	Hardware Kit (Not Shown)	(1)

MILWAUKEE ELECTRIC TOOL CORPORATION
 13135 W. LISBON RD., BROOKFIELD, WI 53005
 Drwg. 2