



# SERVICE PARTS LIST

BULLETIN NO.  
54-04-0150

SPECIFY CATALOG NO. AND SERIAL NO. WHEN ORDERING PARTS		REVISED BULLETIN	DATE
1/2 HOUR 9.6/12.0V SUPER CHARGER			Mar.'93
CATALOG NO. 48-59-0166	DATE CODE	EMIJ	
		WIRING INSTRUCTION SEE REVERSE SIDE	

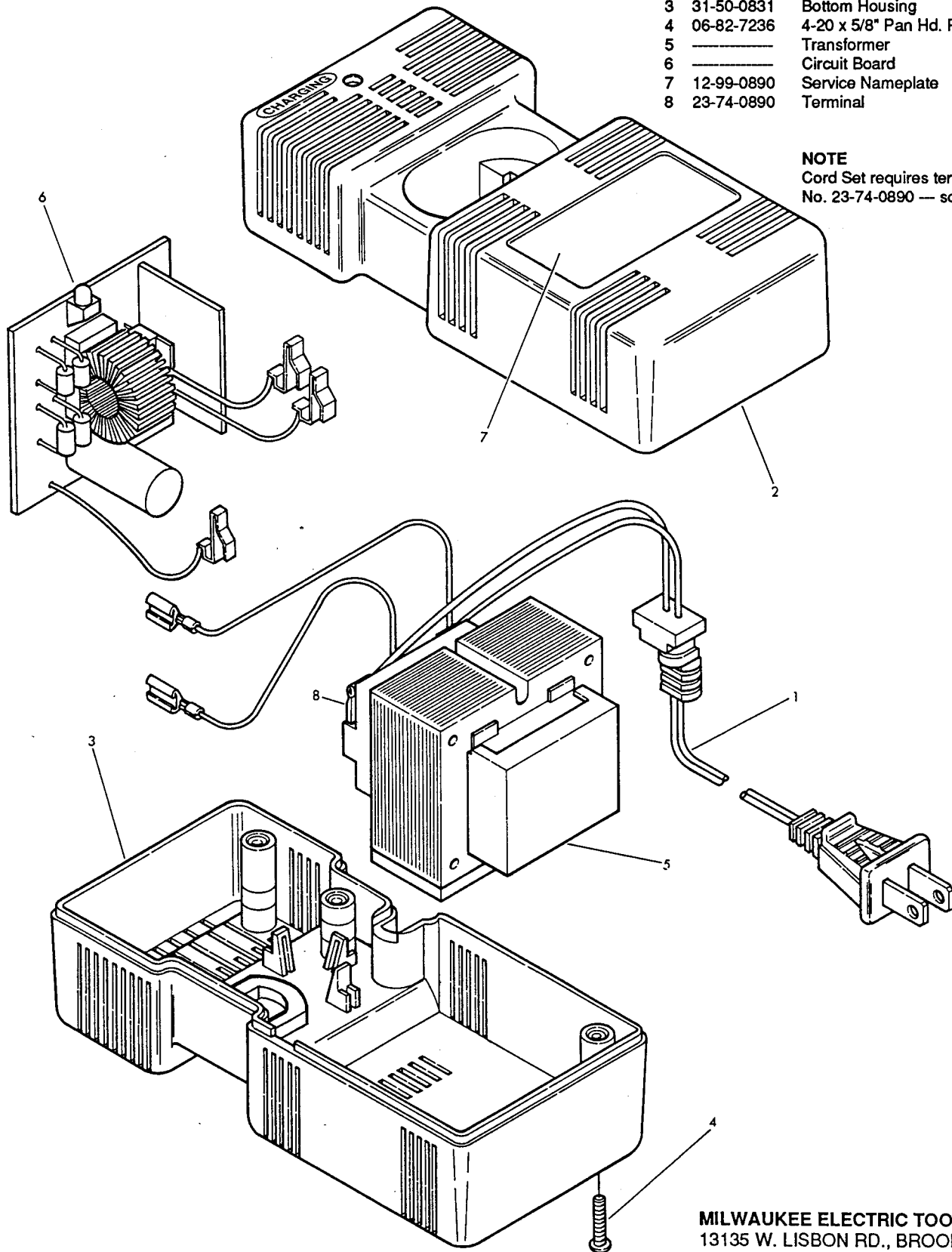
EXAMPLE:  

00	0
----	---

 Component Parts (Small #) Are Included  
 When Ordering The Assembly (Large #).

FIG.	PART NO.	DESCRIPTION OF PART	NO. REQ.
1	22-64-3150	Cord Set (See Note)	(1)
2	31-50-0821	Top Housing	(1)
3	31-50-0831	Bottom Housing	(1)
4	06-82-7236	4-20 x 5/8" Pan Hd. Plast. Torx	(5)
5	_____	Transformer	(1)
6	_____	Circuit Board	(1)
7	12-99-0890	Service Nameplate	(1)
8	23-74-0890	Terminal	(2)

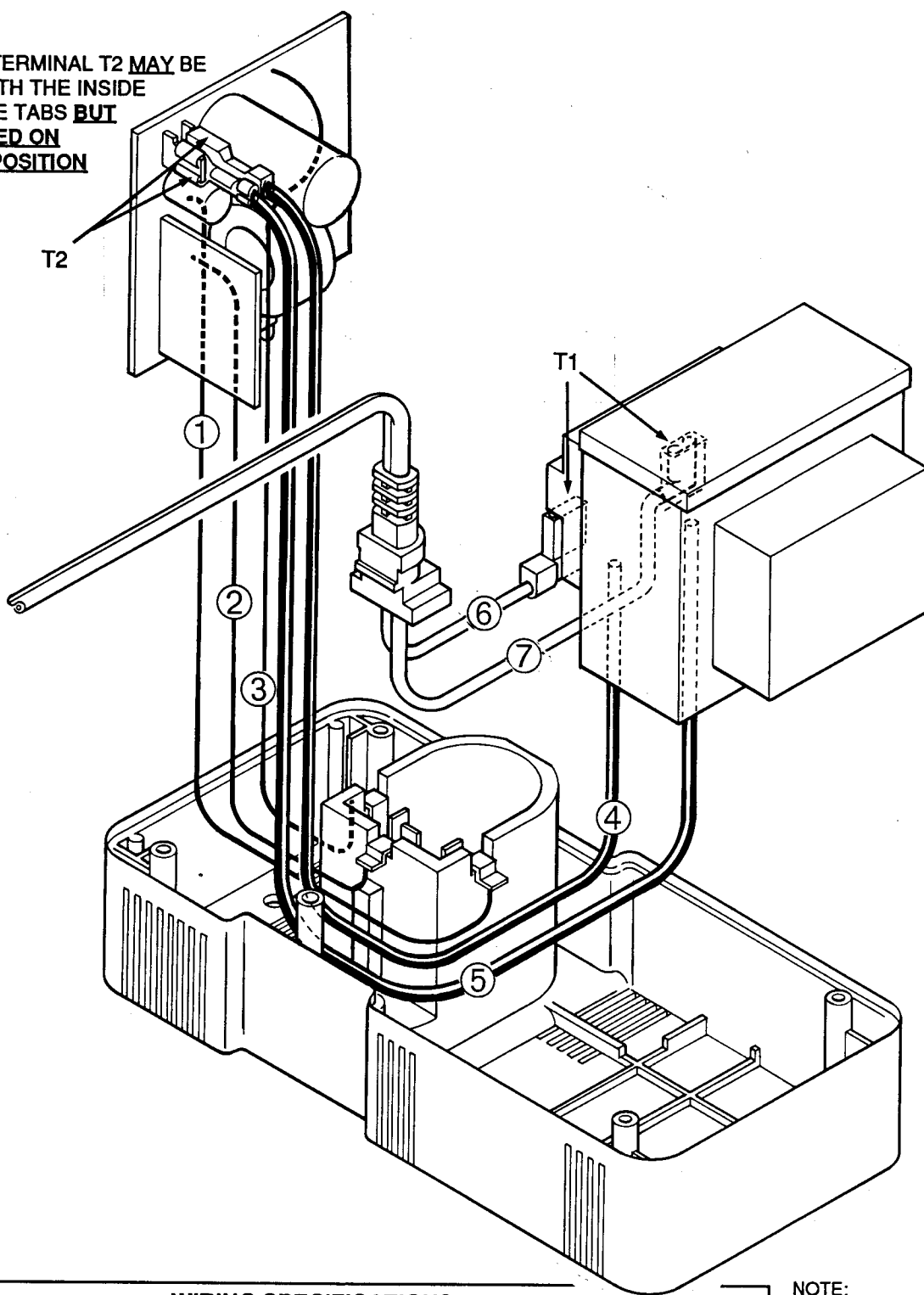
**NOTE**  
 Cord Set requires terminals  
 No. 23-74-0890 — sold separately.



MILWAUKEE ELECTRIC TOOL CORPORATION  
 13135 W. LISBON RD., BROOKFIELD, WI 53005

**NOTE:**

INSULATED TERMINAL T2 **MAY** BE USED ON BOTH THE INSIDE AND OUTSIDE TABS **BUT** **MUST BE USED ON THE INSIDE POSITION AS SHOWN.**



**WIRING SPECIFICATIONS**

Wire No.	Wire Color	Origin or Gauge	Length	Terminals, Connectors and 1 or 2 End Wire Preparation
1	Red	22 Ga.	4-1/2"	Component of circuit board assembly.
2	Red	22 Ga.	3-3/4"	Component of circuit board assembly.
3	Red	22 Ga.	2-1/4"	Component of circuit board assembly.
4	Yellow	20 Ga.	6"	Strip 1/4" for T2.
5	Yellow	20 Ga.	6"	Strip 1/4" for T2.
6	Black	18 Ga.	1-1/2"	Strip 3/16" for T1.
7	Black	18 Ga.	3"	Strip 3/16" for T1.

**NOTE:**

All leads must be held to  $\pm 1/8"$ .  
All field leads to be measured from and perpendicular to laminations.  
All lead lengths are before stripping.

**TERMINAL DESCRIPTION**

Code	Part No.	Qty.
T1	23-74-0890	2
T2	23-74-0440	2

**CONNECTOR DESCRIPTION**