



SERVICE PARTS LIST

BULLETIN NO.
54-04-1830

M18 XC 5.0 AHR BATTERY PACK		REVISED BULLETIN	Sept. 2014
48-11-1850	G29A		

00 0

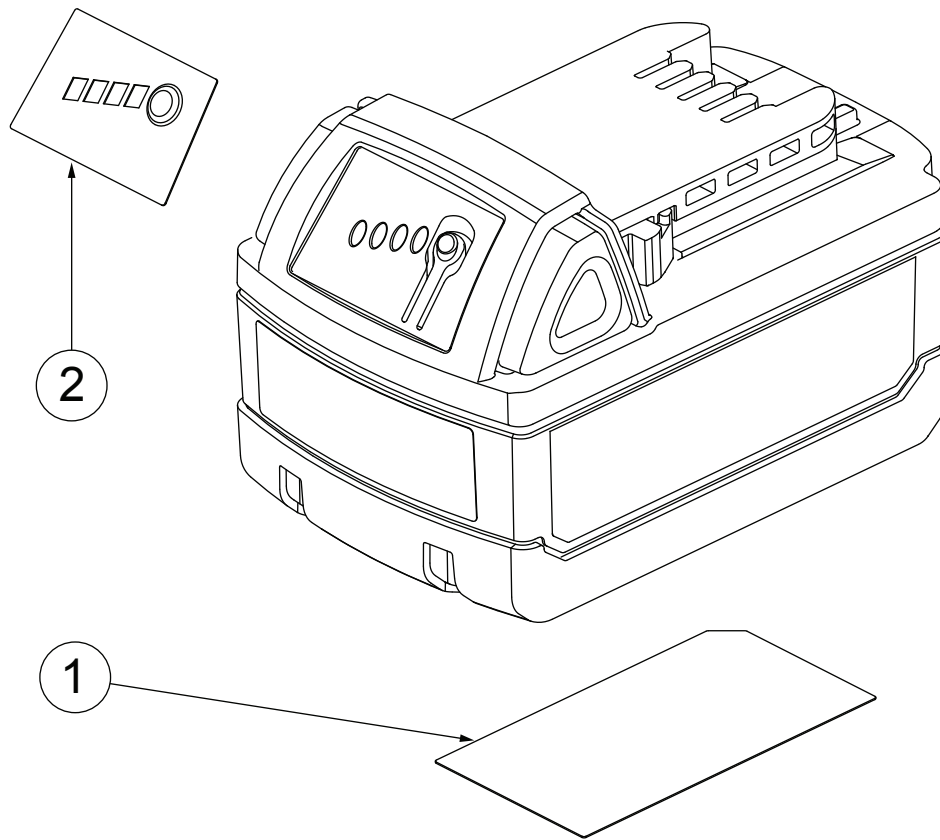


FIG.	PART NO.	DESCRIPTION OF PART	NO. REQ.
1	12-20-1815	Service nameplate	(1)
2	10-20-4305	Front label	(1)

FIG. 1, 2 NOTES
A clean, dry surface is essential for proper performance for any adhesive system. The area intended for application of any adhesive label or nameplate must be prepared by cleaning with isopropyl alcohol. The solvent is to be applied with a clean, lint free applicator and the surface allowed to dry before applying the label or name plate.