



SERVICE PARTS LIST

BULLETIN NO.
54-40-5475

SPECIFY CATALOG NO. AND SERIAL NO. WHEN ORDERING PARTS		REVISED BULLETIN	DATE
WORK CENTER			Mar. '98
CATALOG NO. 48-08-0450	STARTING SERIAL NO. N/A	WIRING INSTRUCTION N/A	

00 | 7/8

EXAMPLE:
Component Parts (Small #) Are Included When Ordering The Assembly (Large #).

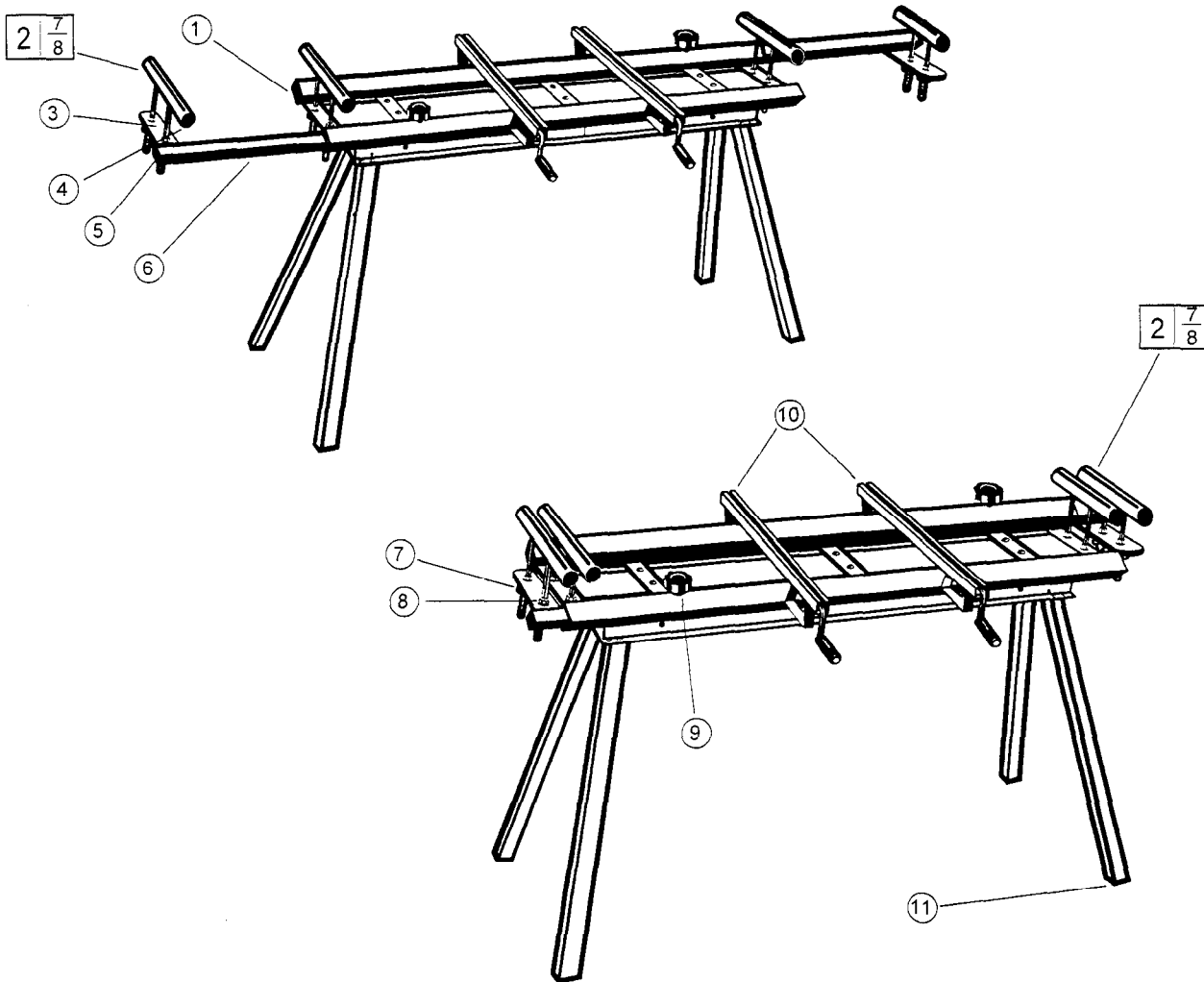


FIG.	PART NO.	DESCRIPTION OF PART	QTY	FIG.	PART NO.	DESCRIPTION OF PART	QTY
1	31-12-0080	Square Tube End Cap 1.5"	(2)	9	31-44-0045	Knob	(2)
2	48-08-0365	Riser Support	(4)	10	48-08-0380	Wedge Clamps	(2)
3	44-66-0045	Support Plate	(2)	11	31-12-0065	Square Leg Cap	(4)
4	31-12-0055	Round Support Cap	(8)	--	06-10-0650	1/4"-20x1" Carriage Bolt (for tool mount, not shown)	(4)
5	31-12-0075	Square End Cap 1.25"	(2)	--	06-55-1500	1/4"-20 Hex Nut (for tool mount, not shown)	(4)
6	44-94-0040	Extension Rod	(2)	--	45-88-5220	1/4" ID Flat Washer (for tool mount, not shown)	(4)
7	06-59-1000	3/8"-16 Wing Nut	(8)				
8	06-55-2500	3/8"-16 Hex Nut	(24)				

MILWAUKEE ELECTRIC TOOL CORPORATION
13135 W. Lisbon Road, Brookfield, WI 53005
Drwg. 1