



SERVICE PARTS LIST

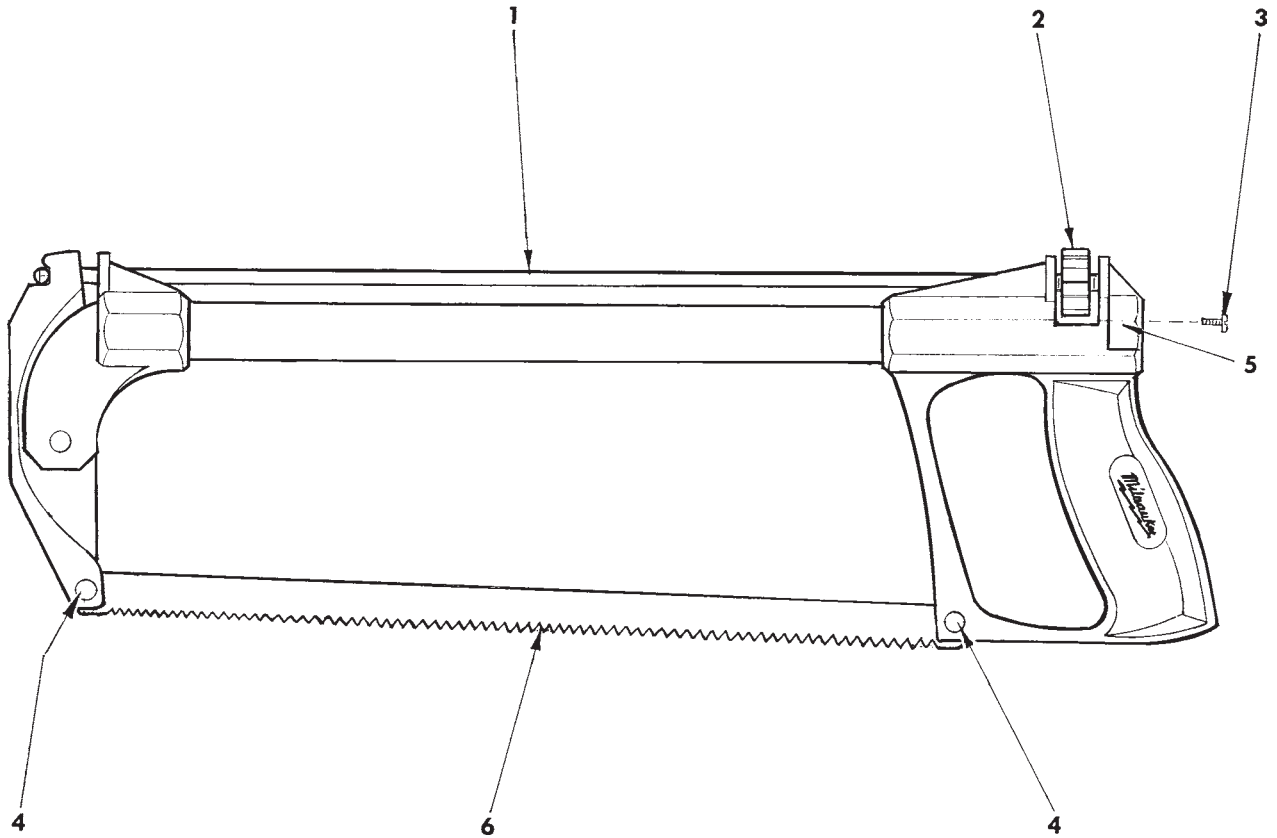
BULLETIN NO.
54-40-8200

| | | | |
|---|---------------------|--------------------|-----------|
| SPECIFY CATALOG NO. AND SERIAL NO. WHEN ORDERING PARTS | | REVISED BULLETIN | DATE |
| 12" HACKSAW | | | Aug. 2003 |
| CATALOG NO. 48-08-0300 | STARTING SERIAL NO. | WIRING INSTRUCTION | |

EXAMPLE:



Component Parts (Small #)
Are Included When Ordering
The Assembly (Large #).



| FIG. | PART NO. | DESCRIPTION OF PART | NO. REQ. |
|------|------------|---------------------------------|----------|
| 1 | 44-94-0240 | Tension Rod | (1) |
| 2 | 45-94-0160 | Tension Wheel | (1) |
| 3 | 45-04-0500 | Machine Screw | (1) |
| 4 | 44-60-0490 | Blade Pin | (2) |
| 5 | 42-52-0175 | Storage Cap | (1) |
| 6 | ----- | 12" Blade (Select from catalog) | |