



# SERVICE PARTS LIST

## SAWZALL CUTOFF FIXTURE

Catalog No.

48-08-0200

BUL.54-40-8100

REVISED BUL.

DATE

June '73

WIRING INSTRUCTIONS

NOTE:

IF BENCH MOUNTING IS DESIRED—OBTAIN TWO NO. 10 FLAT HEAD WOOD OR MACHINE SCREWS OF SUITABLE LENGTH.

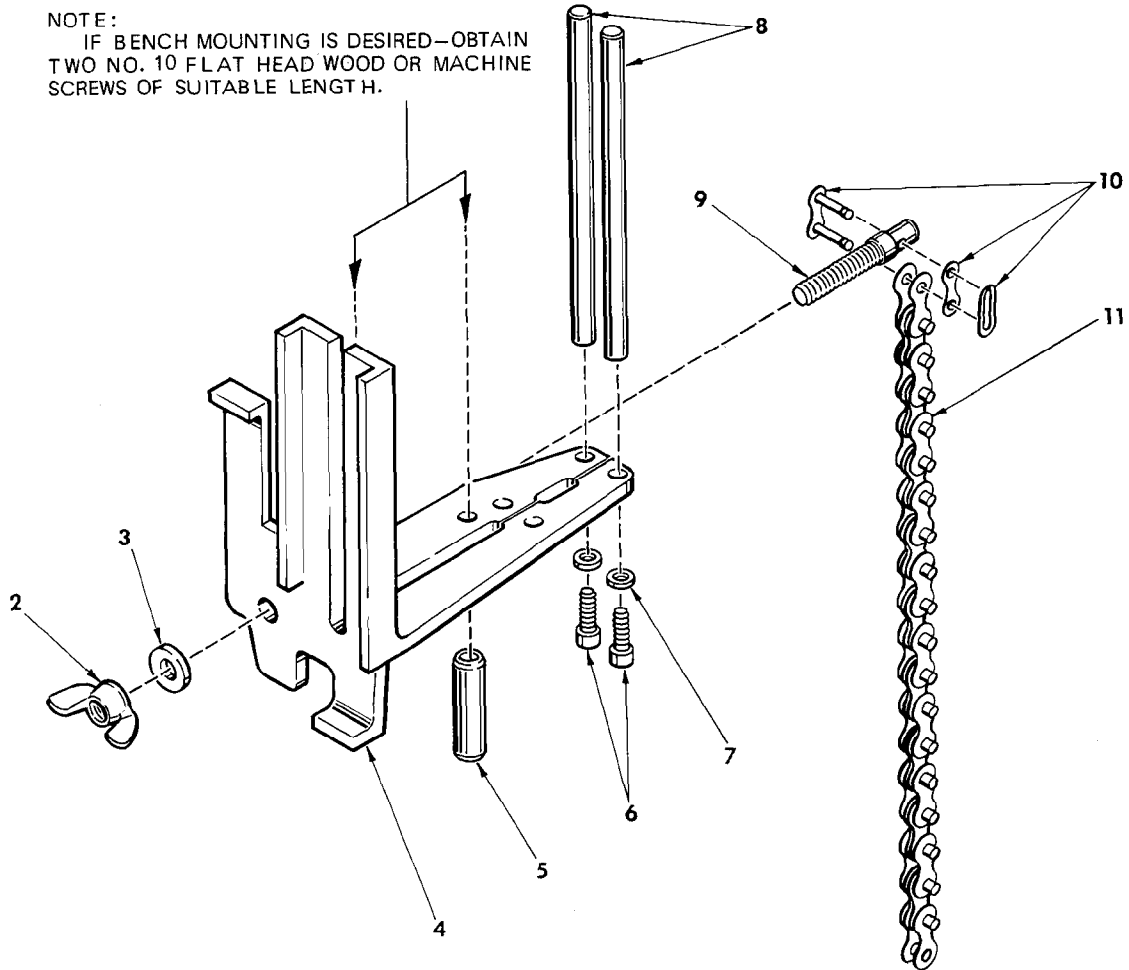


FIG.	PART NO.	DESCRIPTION OF PART	NO. REQ.
1	48-08-0200	Cutoff Fixture (Includes Fig. Nos. 2 thru 12)	
2	06-59-1000	Wing Nut	
3	45-88-5261	Washer	
4	28-23-3010	Cradle	
5	44-04-0070	Mounting Leg (For Bench Mounting)	
6	06-75-3005	1/4-20x5/8 Socket Head Screw	(2)
7	06-97-4050	Lockwasher	(2)
8	43-56-0270	Blade Guide	(2)
9	42-32-0150	Chain Adjusting Bolt	
10	44-14-0070	Connecting Link	
11	42-60-0110	Wrench Chain - 14-1/4" Long	
12	49-96-0080	3/16" Allen Wrench (Not Shown)	