



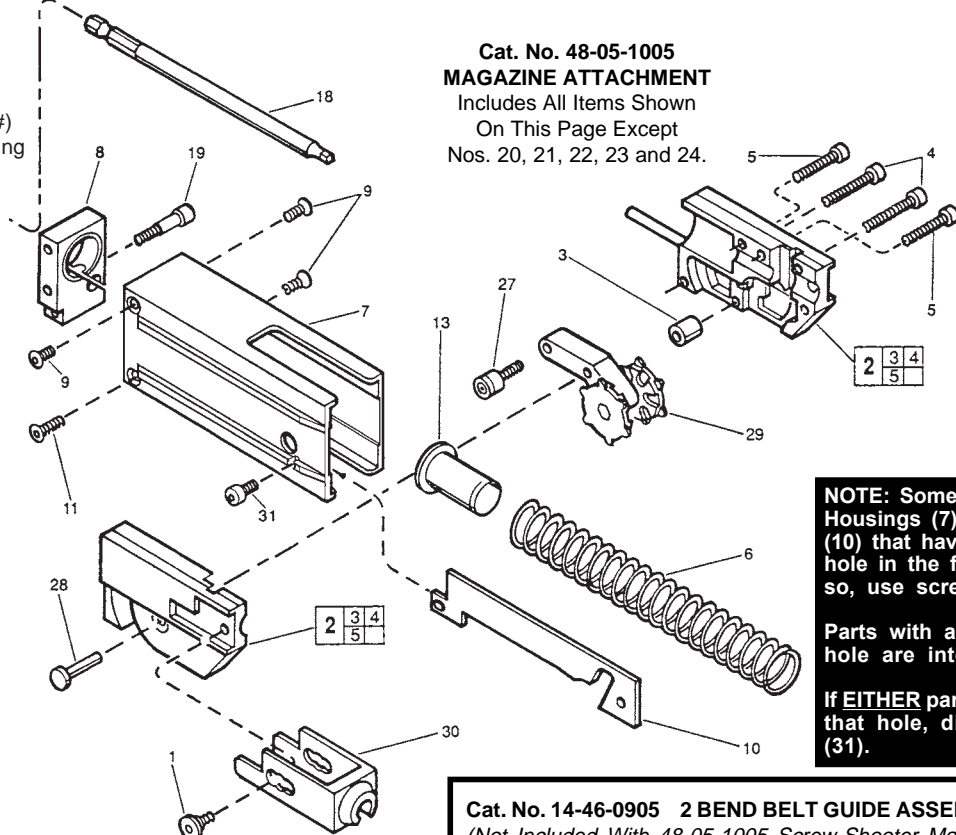
# SERVICE PARTS LIST

BULLETIN NO.  
54-42-5855

SPECIFY CATALOG NO. AND SERIAL NO. WHEN ORDERING PARTS		REVISED BULLETIN	DATE
REW-SHOOTER MAGAZINE ATTACHMENT & EXTENSION KIT			Nov. 2003
CATALOG NO. 48-05-1005	DATE CODE 001088	WIRING INSTRUCTION	
48-95-0501	-----		

00  
0

**EXAMPLE:**  
Component Parts (Small #)  
Are Included When Ordering  
The Assembly (Large #).



**Cat. No. 48-05-1005**  
**MAGAZINE ATTACHMENT**  
Includes All Items Shown  
On This Page Except  
Nos. 20, 21, 22, 23 and 24.

**NOTE:** Some units may have  
Housings (7) AND Curve Plates  
(10) that have a small tapped  
hole in the front, as shown. If  
so, use screw (31).

Parts with and without the  
hole are interchangeable.

If **EITHER** part **DOES NOT** have  
that hole, disregard screw  
(31).

FIG.	PART NO.	DESCRIPTION OF PART	NO. REQ.
1	06-81-1700	M5 x 0.8 x 5. Ig, 3mm Skt. Hd. Slid. Sc.	2
2	43-56-0310	Gliding Assembly (Incl. 3,4,5)	1
3	42-40-0001	Distance Bearing Bushing	1
4	06-95-1000	M3.5 x 22. Ig, Phillips Pan Hd. Plast. Sc.	2
5	06-95-1005	M3.5 x 24. Ig, Phillips Pan Hd. Plast. Sc.	2
6	40-50-0406	Spring (Green or Yellow)	1
7	43-76-0052	Housing	1
8	44-66-1500	Mounting Plate	1
9	06-81-2000	M4 x 0.7 x 8. Ig, 2.5mm Skt. Hd. Flat Sc.	3
10	44-66-0306	Curve Plate	1
11	06-81-2005	M4 x 0.7 x 10. Ig, 2.5mm Skt. Hd. Flat Sc.	1
13	43-56-0300	Spring Guide	1
18	48-30-1527	140mm #2 Square Bit	2
19	06-81-2010	M5 x 0.8 x 25. Ig, 4mm Skt. Hd. Slid. Sc.	1
27	06-81-2025	M5 x 0.8, 3mm Socket Hd. Roller Screw	1
28	44-60-1520	Pivot Pin	1
29	42-74-0095	Gear Wheel Unit	1
30	43-46-0201	Depth Control, 2-1/2" to 3"	1
30A	43-46-0206	Depth Control, 1-3/4" to 2-1/4" (Not Shown)	1
31	06-81-2045	M4 x 0.6mm x 2.5mm Skt. Hd. Cap Scr.	1
	49-96-4800	Hex Key Set-2, 2.5, 3 & 4mm (Not Shown)	1
	10-15-6100	Depth Label (Not Shown)	1
	12-25-1470	Warning Label (Not Shown)	1

**FIG. NOTES:**  
9,11 Use Loctite 272 on screws.

**SEE REVERSE SIDE FOR 20.5" EXTENSION KIT**

**Cat. No. 14-46-0905 2 BEND BELT GUIDE ASSEMBLY**  
(Not Included With 48-05-1005 Screw-Shooter Magazine Attachment)

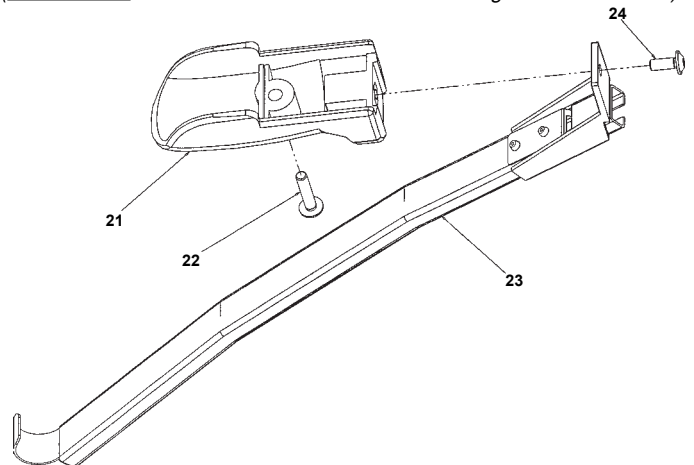


FIG.	PART NO.	DESCRIPTION OF PART	NO. REQ.
21	43-62-1230	Handle	1
22	06-81-2015	M5 x 0.8 x 25. Ig, 3mm Skt. Hd. Slid. Sc.	1
23	-----	2 Bend Belt Guide	1
24	06-81-2020	M5 x 0.8 x 12 Ig, 4mm Skt.1 Hd. Pan Sc.	1

**For Short Configuration (No Extension)**  
**The Following Parts Are Required:**

14-46-0905	2 Bend Belt Guide Assembly	1
43-76-0295	Adapter Assembly	1
43-72-0010	Bit Holder	1

**NOTE:** Parts For Short Configuration Are Not Included With  
48-05-1005 Screw-Shooter Magazine Attachment.

MILWAUKEE ELECTRIC TOOL CORPORATION  
13135 W. LISBON RD., BROOKFIELD, WI 53005

Cat. No. 48-95-0501  
20.5" EXTENSION KIT

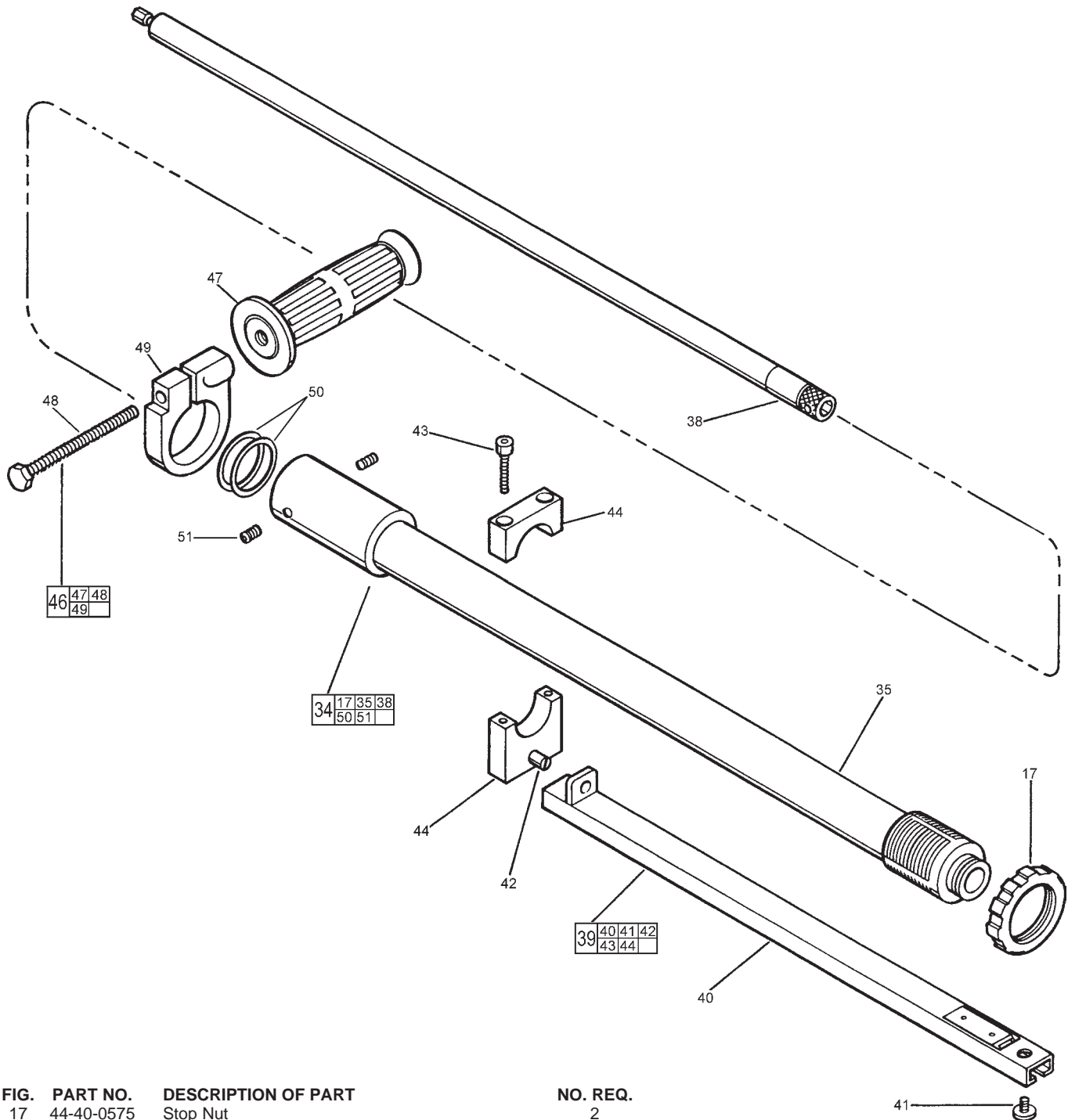


FIG.	PART NO.	DESCRIPTION OF PART	NO. REQ.
	17	44-40-0575 Stop Nut	2
	34	14-38-0676 Extension Tube & Shaft Subassy (Incl. 17,35,38,50,51)	1
	35	45-76-0306 Extension Tube	1
	38	45-08-0026 Extension Drive Shaft	1
	39	14-38-0685 Screw Guide Subassembly (Incl. 40,41,42,43,44)	1
	40	Screw Guide	1
	41	06-81-2035 M5 x 0.8 x 10. lg, 3mm Socket Hd. Screw	1
	42	43-56-0330 Slotted Guide Screw	1
	43	06-81-2040 M4 x 0.7 x 25. lg, 3mm Socket Hd. Screw	2
	44	Clamp	1
	46	14-34-0505 Side Handle Subassembly (Incl. 47,48,49)	1
	47	43-62-1235 Side Handle	1
	48	06-14-0060 M8 x 1.25 x 80. lg, 13mm Hex Hd. Bolt	1
	49	Clamp	1
	50	34-40-0700 30 x 25 x 2.5mm O-Ring	2
	51	06-83-1400 M6 x 1.0 x 6 lg, 3mm Socket Hd. Set Screw	2