



SERVICE PARTS LIST

BULLETIN NO.
54-42-5851

SPECIFY CATALOG NO. AND SERIAL NO. WHEN ORDERING PARTS		REVISED BULLETIN 54-42-5850	DATE Apr. 2002
SCREW-SHOOTER MAGAZINE ATTACHMENT & EXTENSION KIT		WIRING INSTRUCTION	
CATALOG NO. 48-05-1000	DATE CODE 001016		
48-95-0501	-----		

EXAMPLE:
Component Parts (Small #)
Are Included When Ordering
The Assembly (Large #).

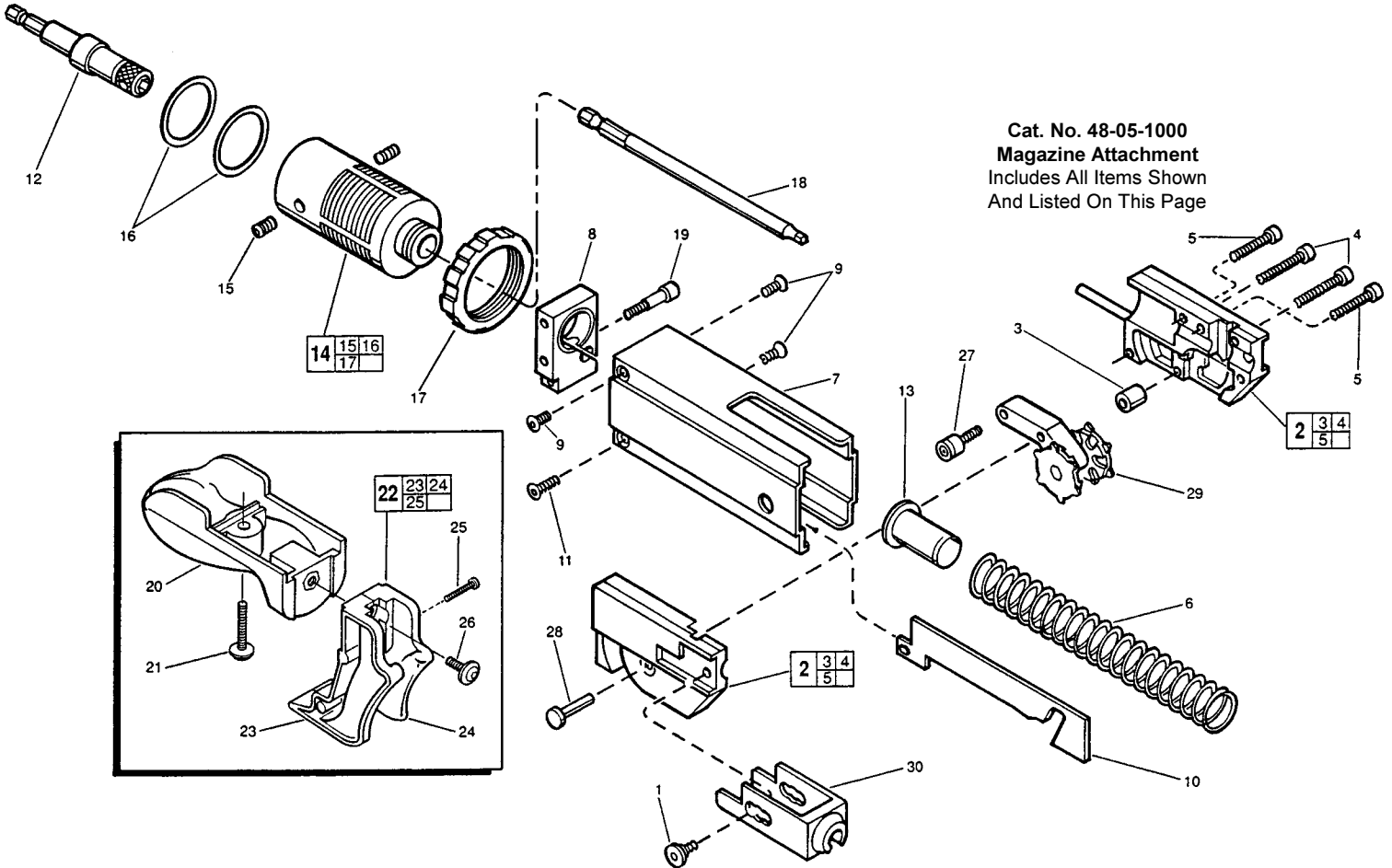


FIG.	PART NO.	DESCRIPTION OF PART	NO. REQ.
1	06-81-1700	M5 x 0.8 x 5. lg, 3mm Skt. Hd. Slid. Sc.	2
2	43-56-0310	Gliding Assembly (Incl. 3,4,5)	1
3	42-40-0001	Distance Bearing Bushing	1
4	06-95-1000	M3.5 x 22. lg, Phillips Pan Hd. Plast. Sc.	2
5	06-95-1005	M3.5 x 24. lg, Phillips Pan Hd. Plast. Sc.	2
6	40-50-0405	Spring (Blue)	1
7	43-76-0050	Housing	1
8	44-66-1500	Mounting Plate	1
9	06-81-2000	M4 x 0.7 x 8. lg, 2.5mm Skt. Hd. Flat Sc.	3
10	44-66-0305	Curve Plate	1
11	06-81-2005	M4 x 0.7 x 10. lg, 2.5mm Skt. Hd. Flat Sc.	1
12	43-72-0010	Bit Holder	1
13	43-56-0300	Spring Guide	1
14	43-76-0295	Adapter Assembly	1
15	06-83-1400	M6 x 1.0 x 6. lg, 3mm Socket Set Screw	2
16	34-40-0700	O-Ring	2
17	44-40-0575	Stop Nut	2
18	48-30-1521	120mm #2 Phillips Bit (Not Shown)	1
18A	48-30-1526	120mm #2 Square Bit	1
19	06-81-2010	M5 x 0.8 x 25. lg, 4mm Skt. Hd. Slid. Sc.	1
20	43-62-1230	Handle	1
21	06-81-2015	M5 x 0.8 x 25. lg, 3mm Skt. Hd. Slid. Sc.	1
22	43-56-0305	Plastic Belt Guide (Incl. 23,24,25)	1
23	43-56-0320	Belt Guide-Right	1
24	43-56-0325	Belt Guide-Left	1

FIG.	PART NO.	DESCRIPTION OF PART	NO. REQ.
25	06-95-1010	Assembly Guide Screw	2
26	06-81-2020	M5 x 0.8 x 12 lg, 4mm Skt. 1 Hd. Pan Sc.	1
27	06-81-2025	M5 x 0.8, 3mm Socket Hd. Roller Screw	1
28	44-60-1520	Pivot Pin	1
29	42-74-0095	Gear Wheel Unit	1
30	43-46-0200	Depth Control, 1-5/8" to 2"	1
30A	43-46-0205	Depth Control, 1-1/4" to 1-1/2" (Not Shown)	1
	49-96-4800	Hex Key Set-2, 2.5, 3 & 4mm (Not Shown)	1
	10-15-6100	Depth Label (Not Shown)	1
	12-25-1470	Warning Label (Not Shown)	1

FIG. NOTES:
9,11 Use Loctite 272 on screws.

SEE REVERSE SIDE FOR 20.5" EXTENSION KIT

MILWAUKEE ELECTRIC TOOL CORPORATION
13135 W. LISBON RD., BROOKFIELD, WI 53005

Cat. No. 48-95-0501
20.5" EXTENSION KIT

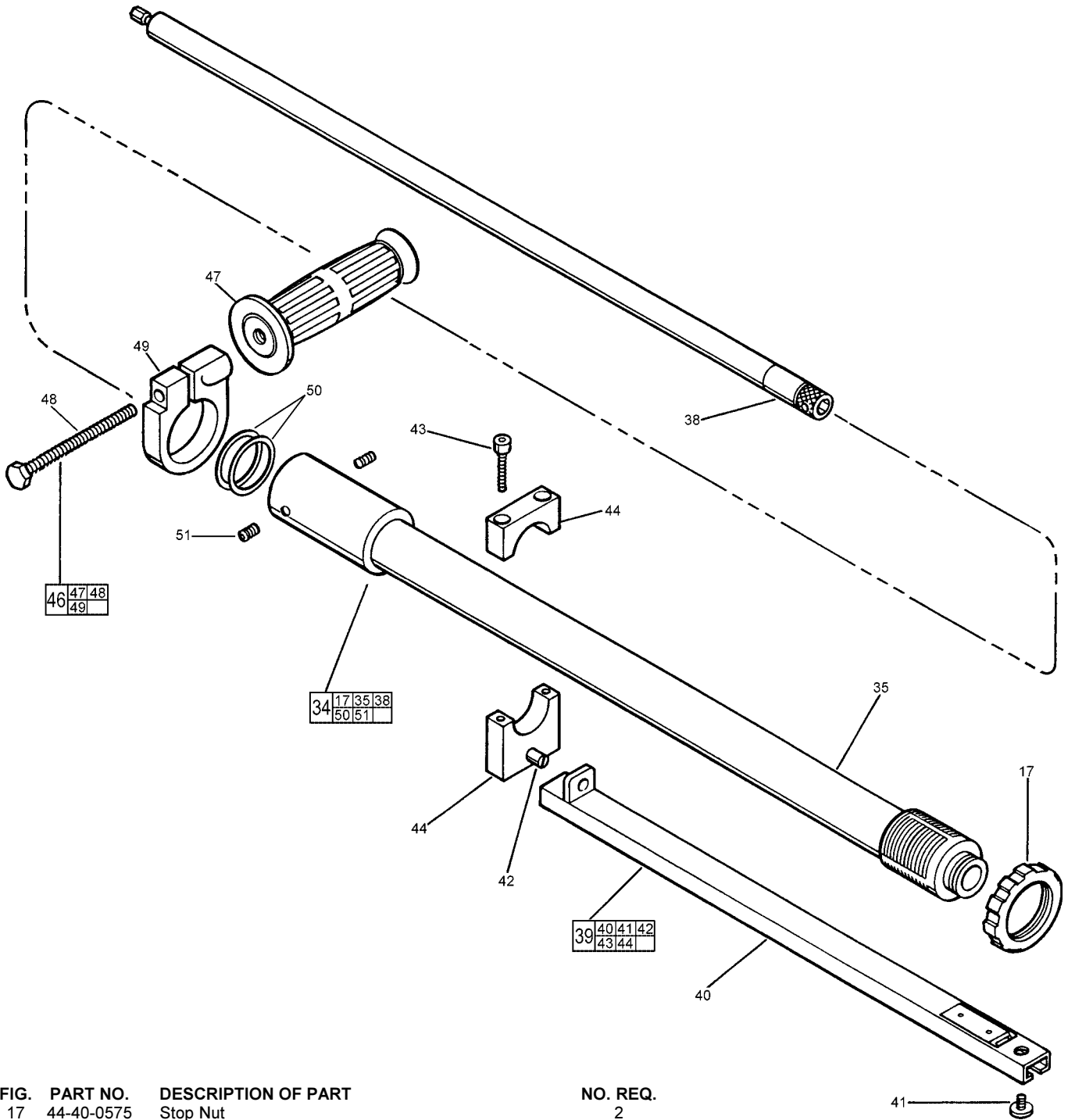


FIG.	PART NO.	DESCRIPTION OF PART	NO. REQ.
	17	44-40-0575 Stop Nut	2
★	34	14-38-0676 Extension Tube & Shaft Subassembly (Incl. 17,35,38,50,51)	1
★	35	45-76-0306 Extension Tube	1
★	38	45-08-0026 Extension Drive Shaft	1
	39	14-38-0685 Screw Guide Subassembly (Incl. 40,41,42,43,44)	1
	40	Screw Guide	1
	41	06-81-2035 M5 x 0.8 x 10. lg, 3mm Socket Hd. Screw	1
	42	43-56-0330 Slotted Guide Screw	1
	43	06-81-2040 M4 x 0.7 x 25. lg, 3mm Socket Hd. Screw	2
	44	Clamp	1
	46	14-34-0505 Side Handle Subassembly (Incl. 47,48,49)	1
	47	43-62-1235 Side Handle	1
	48	06-14-0060 M8 x 1.25 x 80. lg, 13mm Hex Hd. Bolt	1
	49	Clamp	1
★	50	34-40-0700 30 x 25 x 2.5mm O-Ring	2
★	51	06-83-1400 M6 x 1.0 x 6 lg, 3mm Socket Hd. Set Screw	2