

SERVICE PARTS LIST

BUL. 54-00-2401

13 H.P. ALTERNATOR - 5000 WATTS

REVISED BUL.
54-00-2400

DATE
Nov. '78

Catalog No. 4778

Starting
Serial No. F-773262105

WIRING INSTRUCTIONS
58-01-0961

Specify Catalog and Serial No. when ordering parts

REFER TO REVERSE SIDE FOR ENGINE AND MOUNTING BASE

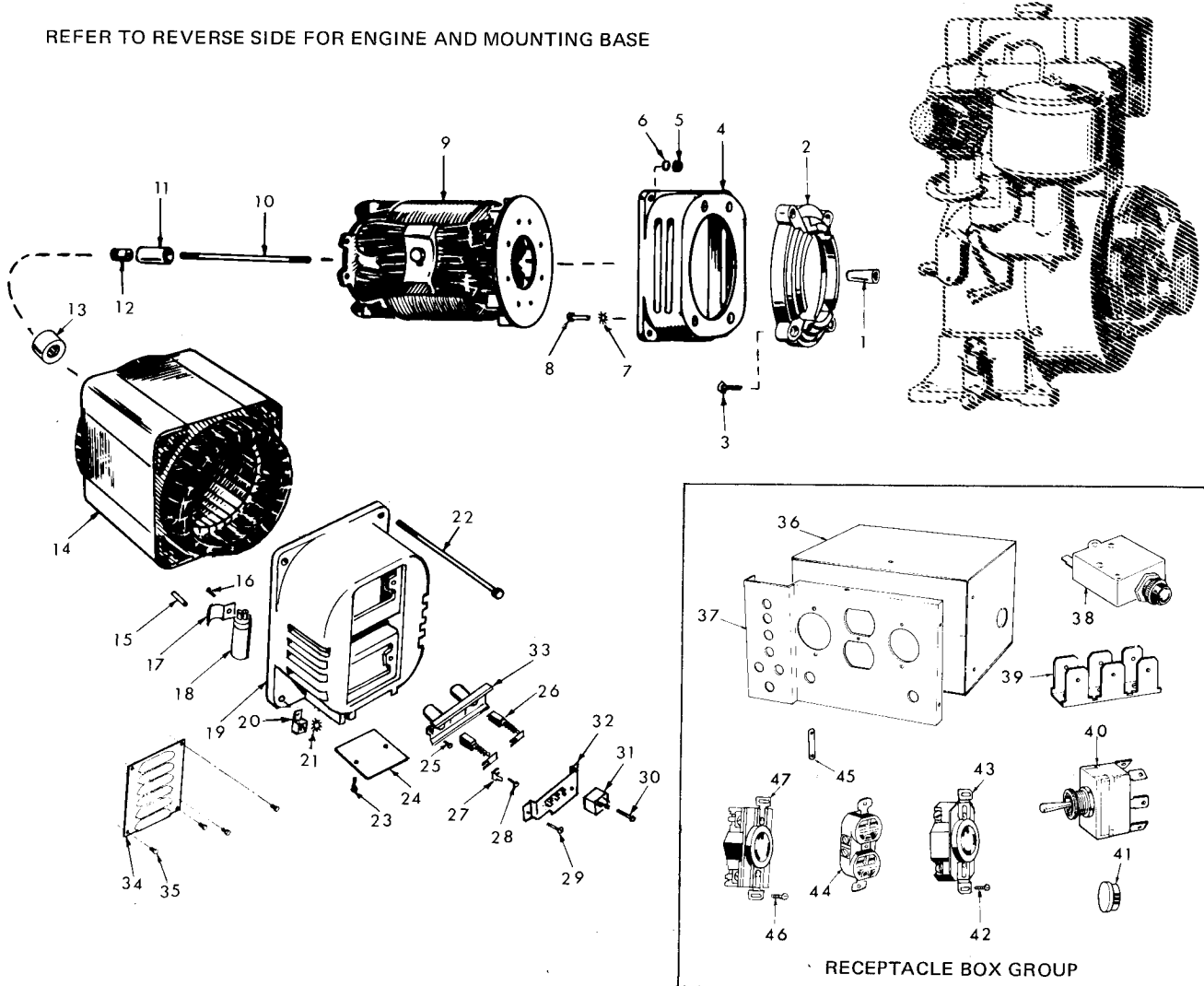


FIG.	PART NO.	DESCRIPTION OF PART	NO. REQ.
1	42-04-0510	Shaft Adapter	(1)
2	42-04-0500	Engine Adapter	(1)
3	06-81-3127	7/16-14x1-1/8 Flat Hd. Screw	(4)
4	42-04-0490	Generator Adapter	(1)
5	06-55-1500	1/4-20 Hex Nut	(4)
6	06-97-4000	1/4" Lock Washer	(4)
7	06-97-2675	3/8" Lock Washer	(4)
8	06-75-0497	3/8-16x7/8" Hex. Hd. Cap Screw	(4)
9	23-40-0450	Rotor Assembly	(1)
10	06-92-0830	5/16x9-1/16 Rotor Through Stud	(1)
11	45-22-0370	Shaft Sleeve	(1)
12	06-55-3780	5/16-18 Internal Wrenching Nut	(1)
13	02-50-4250	Roller Bearing	(1)
14	23-58-0590	Stator Assembly	(1)
15	06-65-0900	End Bell Locating Pin	(1)
16	06-81-5670	6x3/8" Pan Hd. Tapping Screw	(4)
17	42-36-0990	Capacitor Mounting Bracket	(1)
18	22-33-0230	Capacitor	(1)
19	42-25-0280	End Bell	(1)
20	23-74-0590	Solderless Terminal Lug	(1)
21	06-97-5600	1/4" Lock Washer	(1)
22	06-75-0272	1/4-20x8" Hex. Hd. Cap Screw	(4)
23	06-81-0030	10x3/8" Hex. Hd. Cap Screw	(2)
24	22-68-0160	Protection Cover	(1)
25	06-81-5670	6x3/8 Pan Hd. Tapping Screw	(2)

FIG.	PART NO.	DESCRIPTION OF PART	NO. REQ.
26	22-18-0510	Alternator Brush	(2)
27	23-74-0490	Terminal Tab	(1)
28	06-95-0120	6x1/2 Pan Hd. Tapping Screw	(2)
29	06-81-5670	6x3/8 Pan Hd. Tapping Screw	(2)
30	06-81-4568	8-32x5/8 Rd. Hd. Mach. Screw	(1)
31	23-38-2781	Bridge Rectifier	(1)
32	23-74-0600	Bracket and Terminal Assembly	(1)
33	22-20-0310	Brush Guide	(1)
34	23-35-0230	Louvre Panel	(1)
35	06-75-2350	10-32x3/8" Hex. Hd. Cap Screw	(2)
36	22-12-0140	Receptacle Box and Bracket	(1)
37	23-35-0220	Receptacle Panel	(1)
38	22-36-0100	Circuit Breaker - 15 Amp	(1)
	22-36-0110	Circuit Breaker - 20 Amp	(2)
	22-36-0120	Circuit Breaker - 30 Amp	(1)
39	23-74-0580	Terminal Strip	(1)
40	23-66-1120	Voltage Selector Toggle Switch	(1)
41	42-42-0170	1/2" Hole Plug	(4)
42	06-81-4569	6-32x3/8 Rd. Hd. Mach. Screw	(2)
43	23-33-0300	Twistlock Receptacle - 30 Amp 125V	(1)
44	23-33-0280	Duplex Receptacle - 120V	(1)
45	45-56-0160	Ground Strap	(1)
46	06-81-4569	6-32x3/8" Rd. Hd. Mach. Screw	(2)
47	23-33-0310	Twistlock Receptacle - 20 Amp 240V	(1)

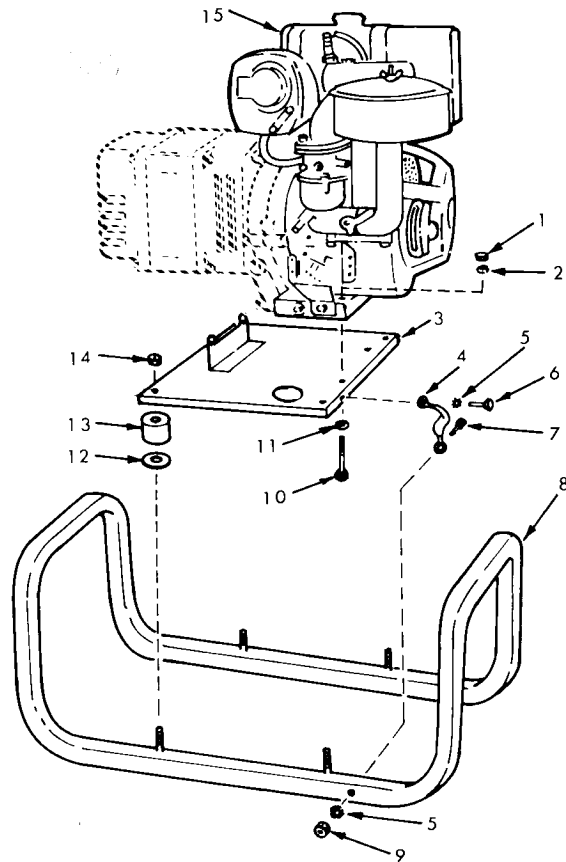


FIG.	PART NO.	DESCRIPTION OF PART	NO. REQ.
	1	06-55-2400 3/8-16 Hex. Nut	(2)
	2	06-97-4125 3/8" Lock Washer	(2)
	3	42-20-0490 Mounting Base	(1)
	4	45-56-0171 Ground Strap	(1)
	5	06-97-5600 1/4" Lock Washer	(4)
	6	06-75-0075 1/4-20x1/2" Hex. Hd. Cap Screw	(1)
	7	06-75-0210 1/4-20x1-1/2 Hex. Hd. Cap Screw	(1)
	8	43-40-0140 Carrying Frame	(1)
	9	06-55-1500 1/4-20 Hex. Nut	(2)
	10	06-75-0535 3/8-16x1-1/4" Hex. Hd. Cap Screw	(2)
	11	45-88-5261 25/64 IDx1" ODx1/16 Flat Washer	(2)
	12	45-88-5265 25/64 IDx1-1/4 ODx.598 Flat Washer	(4)
	13	44-34-0090 Vibration Dampner	(4)
	14	06-57-5150 3/8-16 Self Locking Hex Nut	(4)
	15	— 13 HP Engine (For Components Refer To Engine Manufacturer)	(1)