

# SERVICE PARTS LIST

BUL. 54-00-0611

## ALTERNATOR BASE

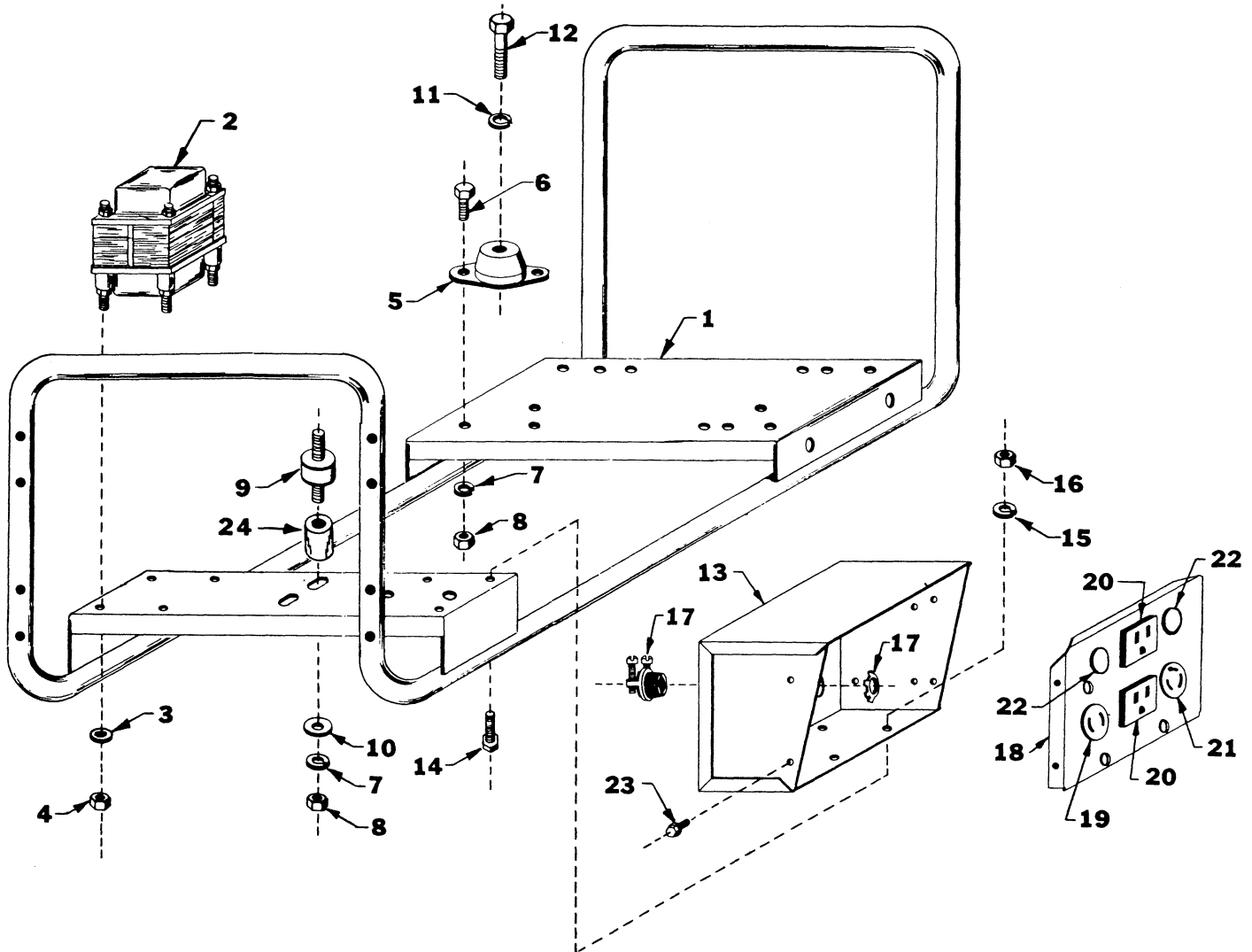
REVISED BUL 6387-1	DATE Feb. '68
-----------------------	------------------

Catalog No. **4775**

Starting Serial No. **387-1001**

WIRING INSTR.

Both Model and Serial No. must be furnished to obtain correct parts.



Item	Part No.	Description	Req'd	Item	Part No.	Description	Req'd
1	42-20-0260	Mounting Base	1	13	22-12-0110	Outlet Box - Back	1
2	23-81-0160	Reactor Assembly	1	14	06-75-0100	1/4-20x3/4 Hex. Hd. Capscrew	4
3	06-97-3400	No. 10 Shakeproof Lockwasher (Int.)	4	15	06-97-3800	1/4 Lockwasher	4
4	06-55-1100	No. 10-32 Hex. Nut	4	16	06-55-1500	1/4-20 Hex. Nut	4
5	43-33-0270	Vibration Dampner	4	17	22-56-0140	3/8 Straight Connector	2
6	06-75-0300	5/16-18x3/4 Hex. Hd. Capscrew	8	18	22-68-0100	Outlet Box - Front	1
7	06-97-4100	5/16 Lockwasher	9	19	23-33-0150	115-V. Twist Lock Outlet	1
8	06-55-1980	5/16-18 Hex. Nut	9	20	23-33-0130	115-V. Outlet	2
9	43-33-0280	Vibration Dampner	1	21	23-33-0160	230-V. Twist Lock Outlet	1
★10	45-88-5245	5/16 Flat Washer	1	22	44-68-0090	Plug Button	2
11	06-97-4125	3/8 Lockwasher	4	23	06-81-4650	No. 10-32x3/8 Rd. Hd. Scr.	4
12	06-75-0575	3/8-16x1-1/2 Hex. Hd. Capscrew	4	24	45-36-0535	Spacer	1



# SERVICE PARTS LIST

BUL. 54-00-0601

## 5000 WATT ALTERNATOR

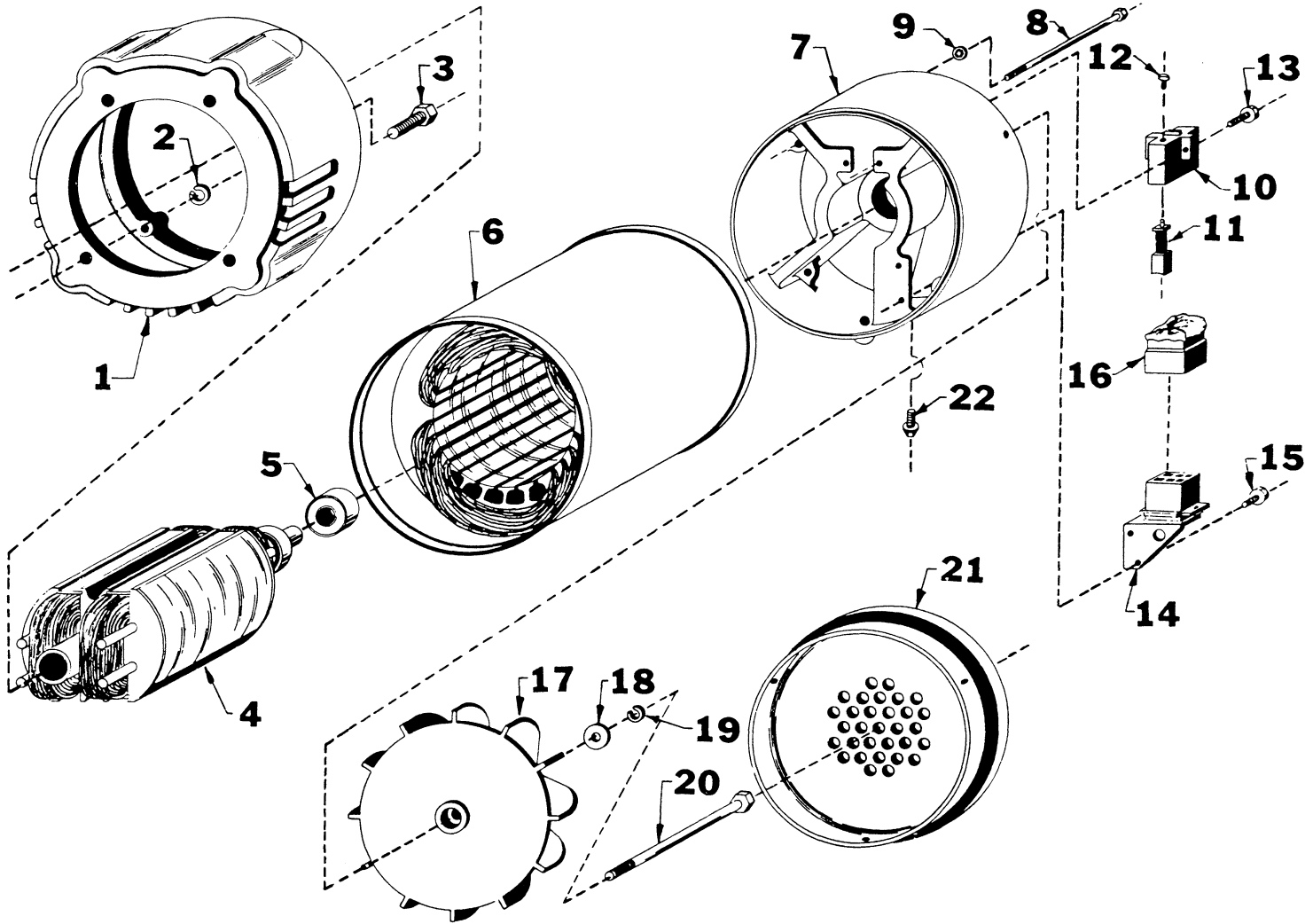
REVISED BUL 6387-2 DATE Nov. '68

Catalog No. 4775

Starting Serial No. 387-1127

WIRING INSTR. 54-00-0621

Both Model and Serial No. must be furnished to obtain correct parts.



Item	Part No.	Description	Req'd	Item	Part No.	Description	Req'd
1	42-04-0240	Adaptor Housing	1	12	06-81-8650	6-32x1/4 Rd. Hd. Sem Scr.	2
2	06-97-4150	7/16 Lockwasher	4	★13	06-81-6200	8-32x5/8 Fil. Hd. Sem Scr.	2
3	06-75-5150	7/16-14x1" Hex. Hd. Capscrew	4	14	45-60-0230	Rectifier Support Assembly	1
4	23-40-0190	Rotor Assembly	1	15	06-81-4650	10-32x3/8 Rd. Hd. Scr.	2
5	02-04-1545	Bearing	1	16	23-38-2560	Rectifier Assembly	1
6	23-58-0390	Stator Assembly	1	17	22-84-0400	Fan	1
7	43-76-0171	Rear Alternator Hsg.	1	18	45-88-5245	5/16 Flat Washer	2
8	06-75-0070	Cap Screw	4	19	06-97-4100	5/16 Lockwasher	1
9	06-97-2200	No. 10 Shakeproof Lockwasher	4	★20	06-75-1230	Hex Hd. Capscre w	1
10	22-20-0220	Brush Holder	1	21	42-92-0161	Fan Cover	1
11	22-18-0340	Brush Assembly	2	22	06-75-2400	No. 10-32x1/2" Soc. Hd. Scr.	3