



SERVICE PARTS LIST

BUL. 54-00-0402

3500 WATT ALTERNATOR

REVISED BUL
6386-2

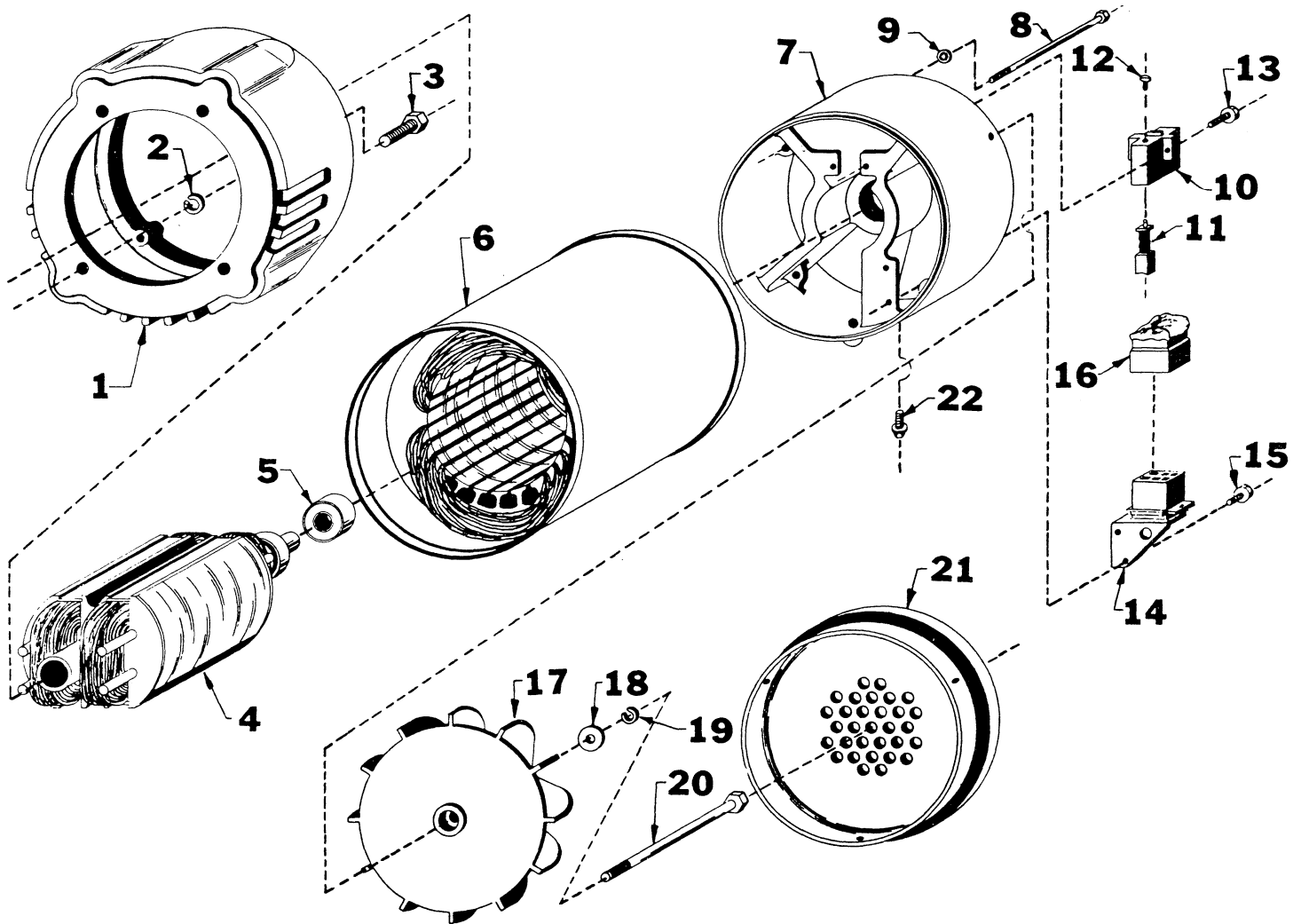
DATE
Sept. '70

Catalog No. 4710

Starting
Serial No. **386-1475**

WIRING INSTR.
54-00-0421

Both Model and Serial No. must be furnished to obtain correct parts.



Item	Part No.	Description	Req'd	Item	Part No.	Description	Req'd
1	42-04-0360	Adaptor Housing	1	12	06-81-8650	6-32x1/4 Rd. Hd. Sem Scr.	2
2	06-97-4125	3/8 Lockwasher	4	13	06-81-3640	8-32x5/8 Oval Hd. Scr.	2
3	06-75-0500	3/8 - 16 x 1" Hex. Hd. Capscrew	4	14	45-60-0230	Rectifier Support Assembly	1
4	23-40-0170	Rotor Assembly	1	15	06-81-4650	10-32x3/8 Rd. Hd. Scr.	2
5	02-04-1545	Bearing	1	16	23-38-2560	Rectifier Assembly	1
6	23-58-0380	Stator Assembly	1	17	22-84-0400	Fan	1
7	43-76-0171	Rear Alternator Housing	1	18	45-88-5245	5/16 Flat Washer	2
8	06-75-0065	Indented Hex. Hd. Mch. Screw	4	19	06-97-4100	5/16 Lockwasher	1
9	06-97-2200	No. 10 Shakeproof Lockwasher	4	★20	06-75-0467	5/16-24x9-1/4 Hex. Hd. Scr.	1
10	22-20-0220	Brush Holder	1	21	42-92-0161	End Cover	1
11	22-18-0340	Brush Assembly	2	22	06-75-2400	10-32x1/2 Soc. Hd. Scr.	3