



SERVICE PARTS LIST

BULLETIN NO.
54-00-2220

SPECIFY CATALOG NO. AND SERIAL NO. WHEN ORDERING PARTS		REVISED BULLETIN	DATE Jan. '80
8 HP IDLE CONTROL ALTERNATOR - 3500 WATTS			
CATALOG NO. 4670	STARTING SERIAL NO. 065000	WIRING INSTRUCTION 58-01-0962	

REFER TO REVERSE SIDE
OF THIS BULLETIN

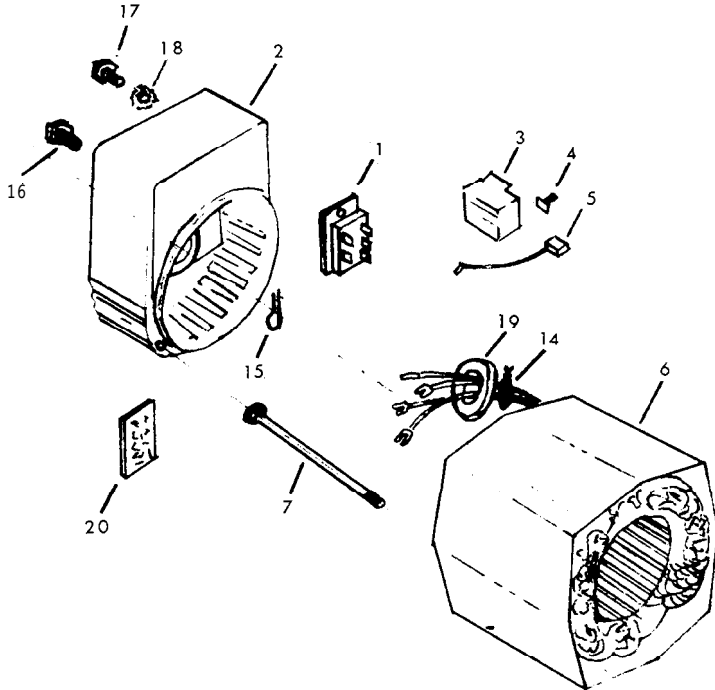


FIG. PART NO.	DESCRIPTION OF PART	NO. REQ.
1	23-37-0120 Regulator Kit	(1)
2	42-36-1 270 End Bracket	(1)
3	22-20-0510 Brush Holder	(1)
4	40-50-7775 Brush Spring	(2)
5	22-16-0290 Brush	(2)
6	23-58-0630 Stator Assembly	(1)
7	06-75-027 1 Hex Head Screw 1/4 - 20x7	(4)
8	45-14-0170 Tolerance Ring	(1)
9	23-40-0470 Rotor Assembly	(1)
10	22-84-0720 Fan	(1)
11	42-04-0625 Generator Adapter	(1)
12	06-75-0495 Hex Head Screw 3/8 - 16x3/4	(4)
13	45-88-7660 Washer 3/8	(4)
14	23-78-0130 Cable Tie	(2)
15	42-70-0220 Clip	(1)
16	06-95-0200 Tapping Screw 8-32x3/8	(1)
17	06-95-3230 Tapping Ground Screw Green 8-32x3/8	(1)
18	06-97-5400 Int/Ext Lock Washer No. 8	(1)
19	23-81-0220 Transformer	(1)
20	22-09-0230 Circuit Board	(1)

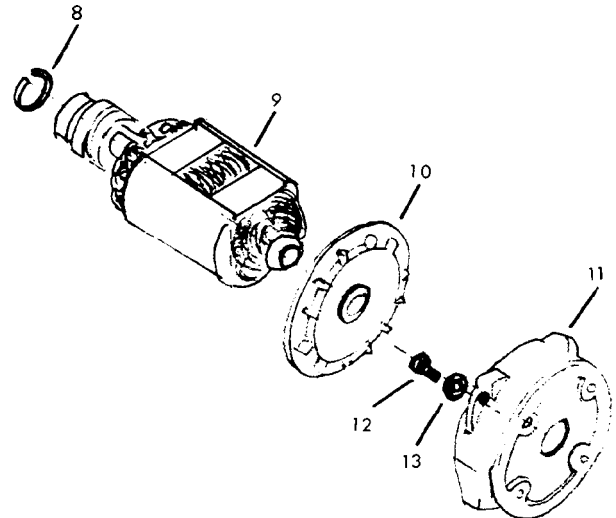
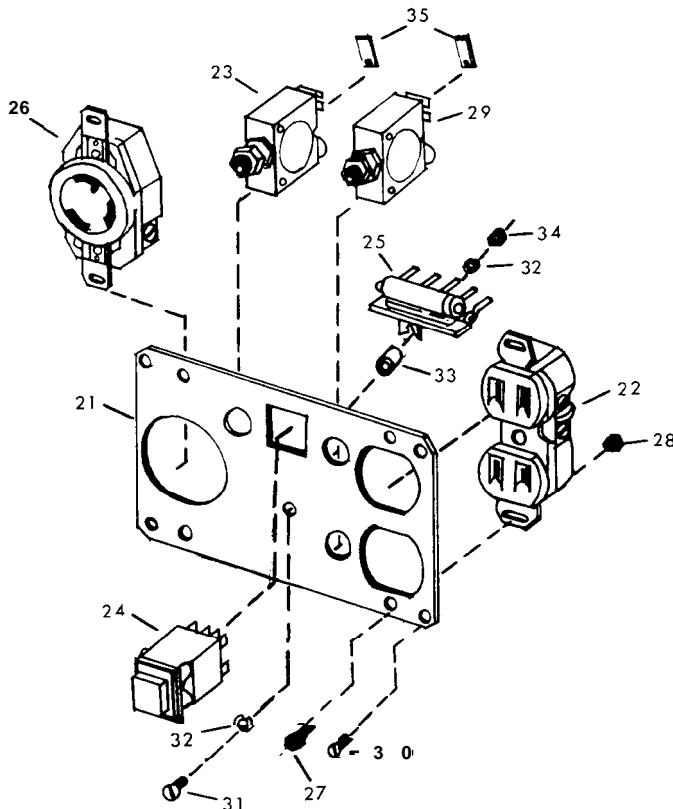


FIG. PART NO.	DESCRIPTION OF PART	NO. REQ.
21	23-35-0270 Panel Plate	(1)
22	23-33-0350 120V Duplex Receptacle	(1)
23	22-36-0 140 30A Circuit Breaker	(1)
24	23-66-1 200 Push Button Switch	(1)
25	23-74-0720 Strip Terminal Assembly	(1)
26	23-33-0360 120V Twist Lock Receptacle	(1)
27	06-95-0210 Pan Head Screw 8-32x3/8	(4)
28	06-55-0830 Hex Nut 8-32	(4)
29	22-36-0130 15A Circuit Breaker	(2)
30	06-95-0330 Self Tapping Screw 1 0-24x1/2	(4)
31	06-81-4552 Round Head Screw 6-32x5/8	(1)
32	06-97-3175 Lock Washer	(2)
33	45-36-1 060 Plastic Spacer	(1)
34	06-55-0620 Hex Nut 6-32	(1)
35	23-74-0730 Terminal	(1)

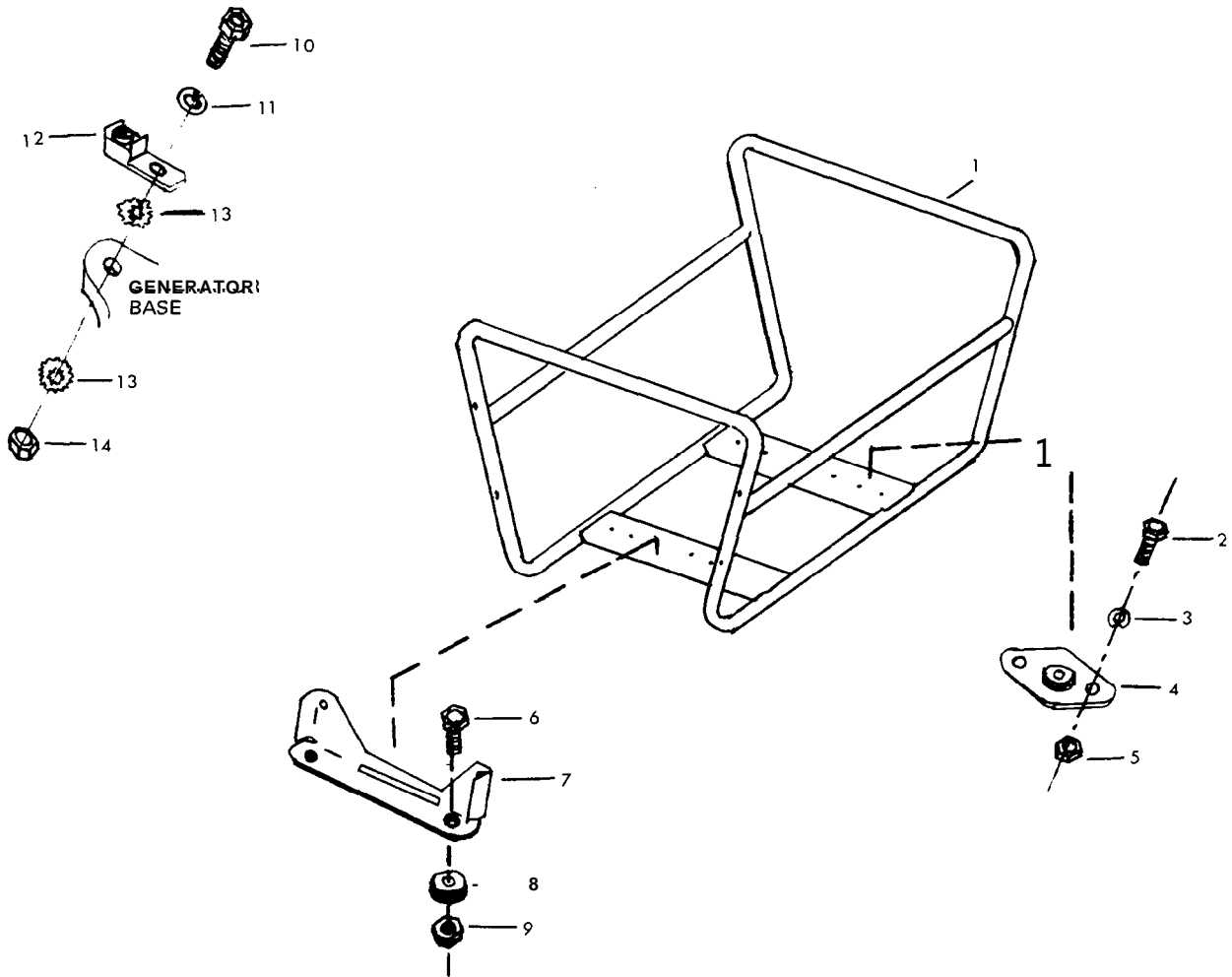


FIG.	PART NO.	DESCRIPTION OF PART	NO. REQ.
1	43-40-0200	Carrying Frame	(1)
2	06-97-4100	Split Ring Lock Washer 5/16	(4)
3	06-97-4125	Split Ring Lock Washer 3/8	(4)
4	44-34-0120	Vibrating Damper	(2)
5	06-55-1 985	Hex Nut 5/16-18	(4)
6	06-75-0341	Hex Head Screw 5/16-18x1-1/2	(2)
7	42-36-1 275	Mounting Bracket	(1)
8	42-20-0550	Mounting Pad	(1)
9	06-57-5050	Hex Nut Locking 5/16-18	(2)
10	06-7 5-0340	Hex Head Screw 5/16-18x1	(1)
11	06-97-4125	Split Ring Lock Washer 3/8	(1)
12	23-74-0740	Grounding Terminal	(1)
13	06-97-5420	Int/Ext Lock Washer 5/16	(2)
14	06-55-1 985	Hex Nut 5/16-18	(1)