



# SERVICE PARTS LIST

**8 H.P. ALTERNATOR - 3000 WATTS**

**Catalog No. 4613**

Starting  
Serial No. **521-1001**

Specify Catalog and Serial No. when ordering parts

**BUL. 54-00-2200**

REVISED BUL. DATE  
Sept. '74

WIRING INSTRUCTIONS  
**58-01-0960**

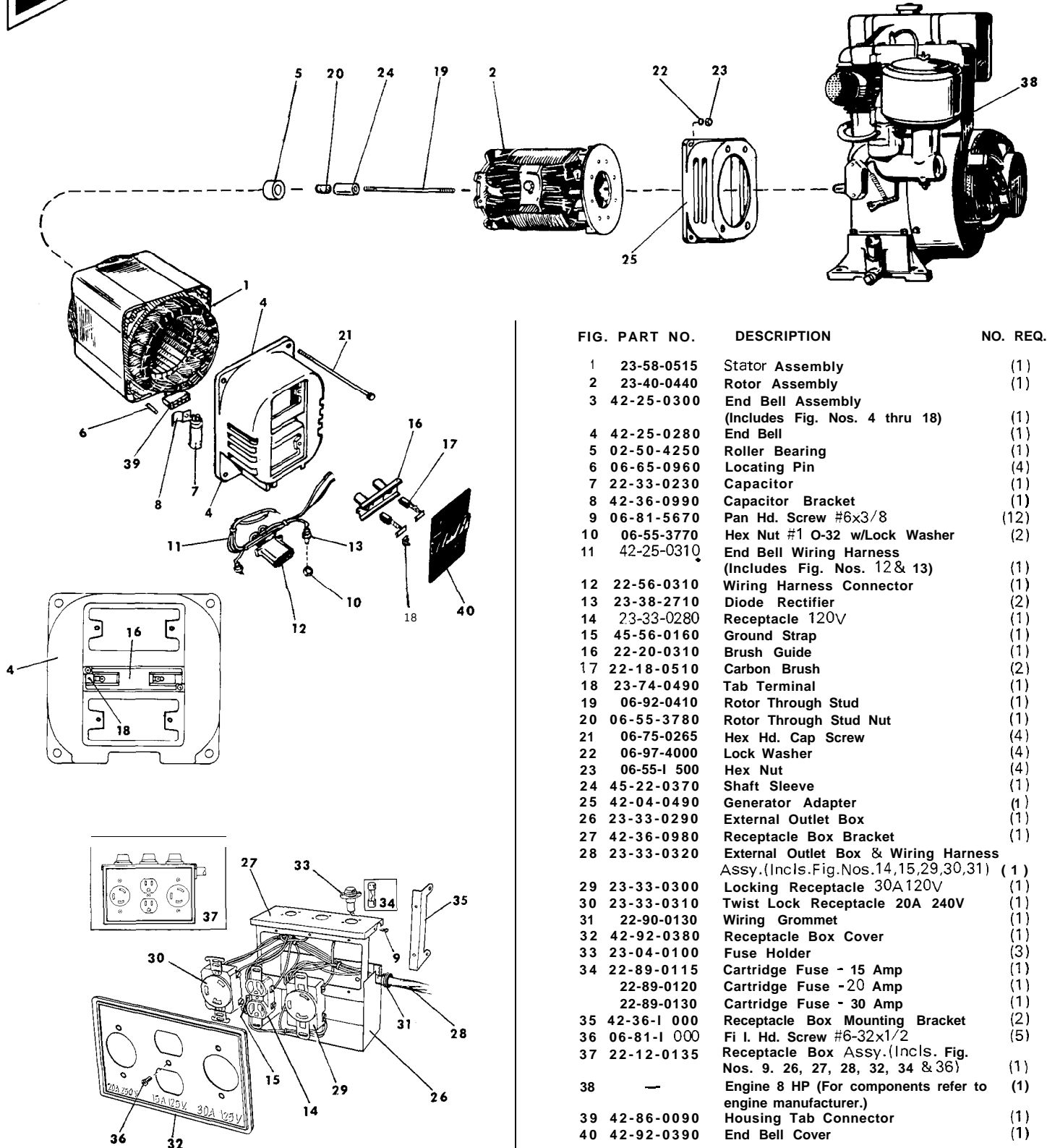


FIG. PART NO.	DESCRIPTION	NO. REQ.
1	23-58-0515 Stator Assembly	(1)
2	23-40-0440 Rotor Assembly	(1)
3	42-25-0300 End Bell Assembly (Includes Fig. Nos. 4 thru 18)	(1)
4	42-25-0280 End Bell	(1)
5	02-50-4250 Roller Bearing	(1)
6	06-65-0960 Locating Pin	(4)
7	22-33-0230 Capacitor	(1)
8	42-36-0990 Capacitor Bracket	(1)
9	06-81-5670 Pan Hd. Screw #6x3/8	(12)
10	06-55-3770 Hex Nut #1 O-32 w/Lock Washer	(2)
11	42-25-0310 End Bell Wiring Harness (Includes Fig. Nos. 12 & 13)	(1)
12	22-56-0310 Wiring Harness Connector	(1)
13	23-38-2710 Diode Rectifier	(2)
14	23-33-0280 Receptacle 120V	(1)
15	45-56-0160 Ground Strap	(1)
16	22-20-0310 Brush Guide	(1)
17	22-18-0510 Carbon Brush	(2)
18	23-74-0490 Tab Terminal	(1)
19	06-92-0410 Rotor Through Stud	(1)
20	06-55-3780 Rotor Through Stud Nut	(1)
21	06-75-0265 Hex Hd. Cap Screw	(4)
22	06-97-4000 Lock Washer	(4)
23	06-55-1 500 Hex Nut	(4)
24	45-22-0370 Shaft Sleeve	(1)
25	42-04-0490 Generator Adapter	(1)
26	23-33-0290 External Outlet Box	(1)
27	42-36-0980 Receptacle Box Bracket	(1)
28	23-33-0320 External Outlet Box & Wiring Harness Assy. (Incls. Fig. Nos. 14, 15, 29, 30, 31)	(1)
29	23-33-0300 Locking Receptacle 30A 120V	(1)
30	23-33-0310 Twist Lock Receptacle 20A 240V	(1)
31	22-90-0130 Wiring Grommet	(1)
32	42-92-0380 Receptacle Box Cover	(1)
33	23-04-0100 Fuse Holder	(3)
34	22-89-0115 Cartridge Fuse - 15 Amp	(1)
	22-89-0120 Cartridge Fuse - 20 Amp	(1)
	22-89-0130 Cartridge Fuse - 30 Amp	(1)
35	42-36-1 000 Receptacle Box Mounting Bracket	(2)
36	06-81-1 000 Fl. I. Hd. Screw #6-32x1/2	(5)
37	22-12-0135 Receptacle Box Assy. (Incls. Fig. Nos. 9, 26, 27, 28, 32, 34 & 36)	(1)
38	— Engine 8 HP (For components refer to engine manufacturer.)	(1)
39	42-86-0090 Housing Tab Connector	(1)
40	42-92-0390 End Bell Cover	(1)

REFER TO REVERSE SIDE FOR ENGINE MOUNTING BASE

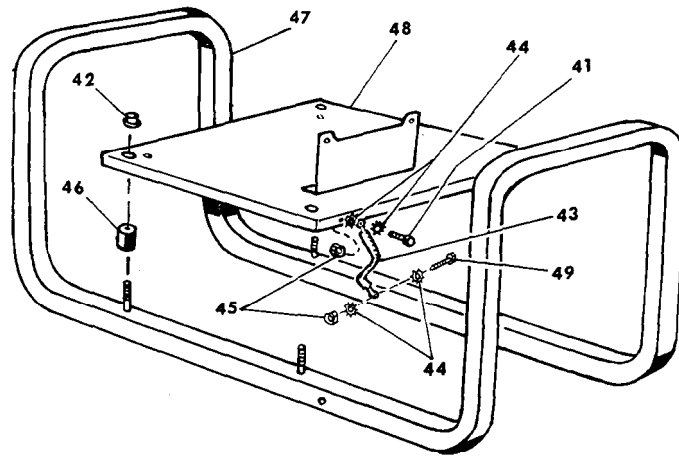


FIG.	PART NO.	DESCRIPTION OF PART	NO. REQ.
	41	06-75-0075 Hex Hd. Cap Screw 1/4-20x1/2	(1)
	42	06-57-5170 Flange Nut	(4)
	43	45-56-0170 Bond Strap	(1)
	44	06-97-5600 Shakeproof Washer	(4)
	45	06-55-1 500 Hex Nut 1/4-20	(2)
	46	44-34-0080 Isolation Mount	(4)
	47	43-40-0130 Carrying Frame	(1)
	48	42-20-0480 Engine Mounting Base	(1)
	49	06-75-0230 Hex Hd. Cap Screw 1/4-20x1-3/4	(1)

REFER TO BULL. 54-00-0010 FOR ALTERNATOR WLLY REPAIR PARTS