



# SERVICE PARTS LIST

BUL. 54-00-0160

## ALTERNATOR CONNECTION PANEL

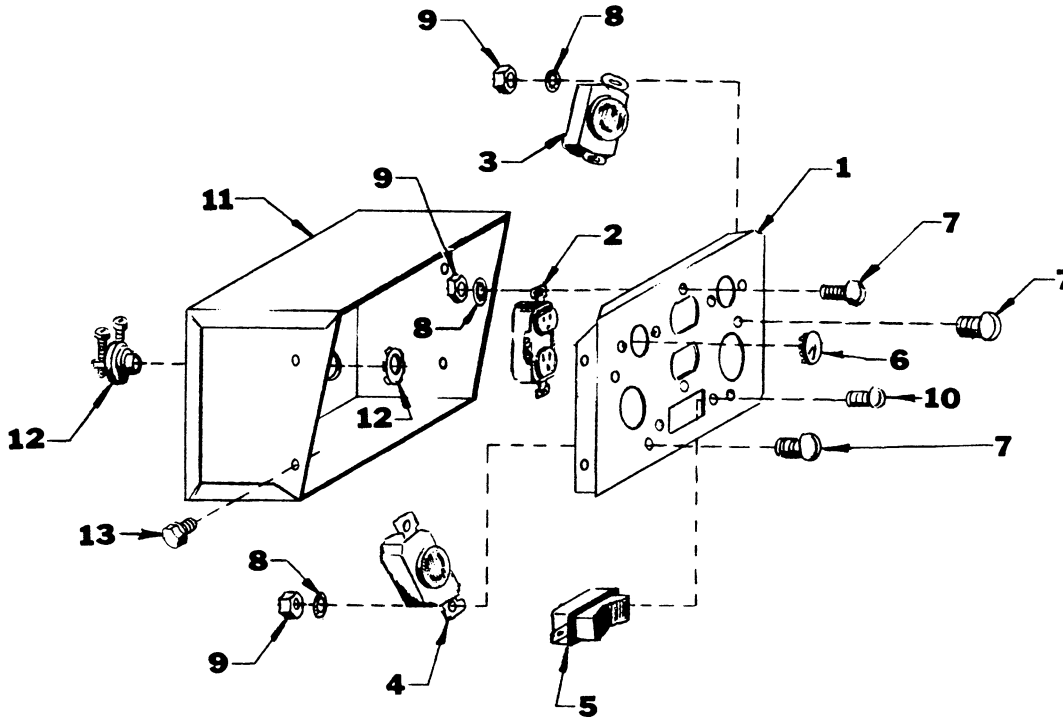
REVISED BUL  DATE June '70

Catalog No. **4610**

Starting Serial No. **443-1001**

WIRING INSTR. **54-00-0180**

Both Model and Serial No. must be furnished to obtain correct parts.



Item	Part No.	Req'd	Description
1	22-68-0140	1	Outlet Panel Front
2	23-33-0200	1	115V Outlet
3	23-33-0205	1	115V Outlet
4	23-33-0160	1	230V Outlet
5	23-66-0835	1	Switch
6	44-68-0090	2	Plug Button
7	06-81-4650	6	RHMS
9	06-55-1100	6	Hex. Nuts
10	06-81-8650	2	Sim RHMS
11	22-12-0070	1	Outlet Panel Back
12	22-56-0140	1	3/8 Straight Connector
13	06-75-2400	4	Taptite