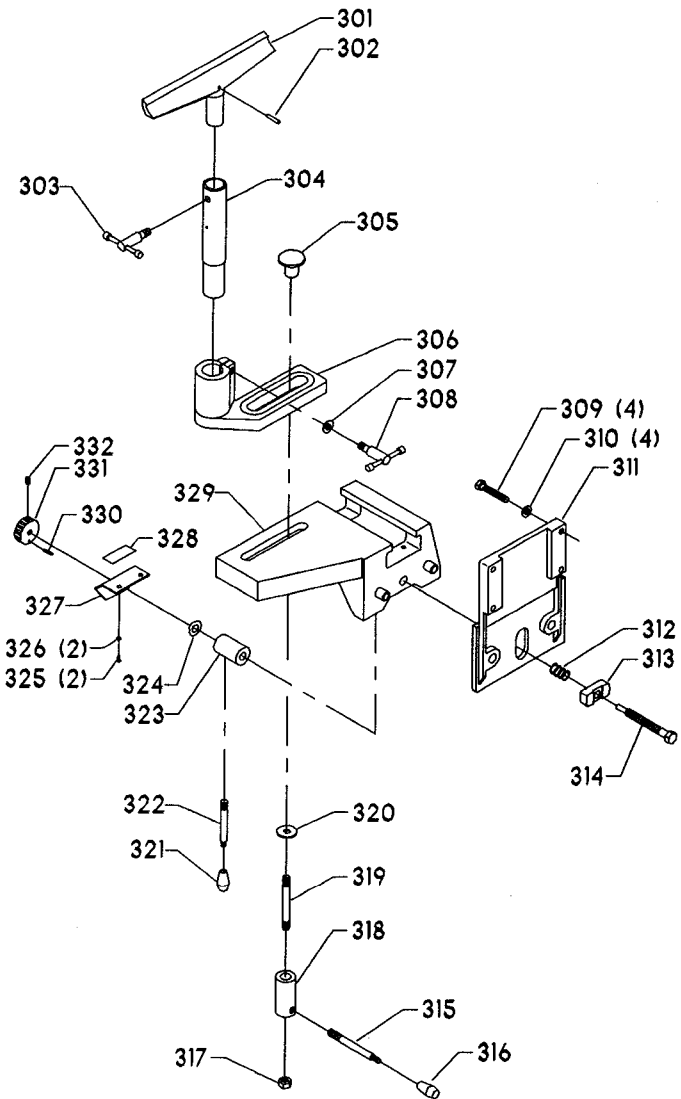
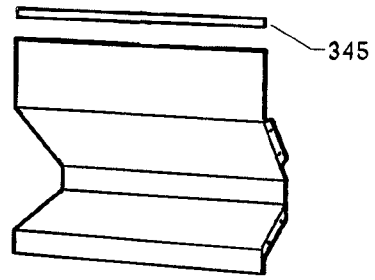


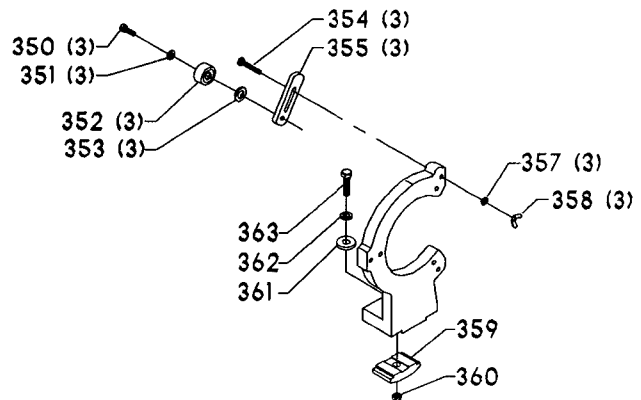
46-872
OUTBOARD BOWL TURNING
ATTACHMENT



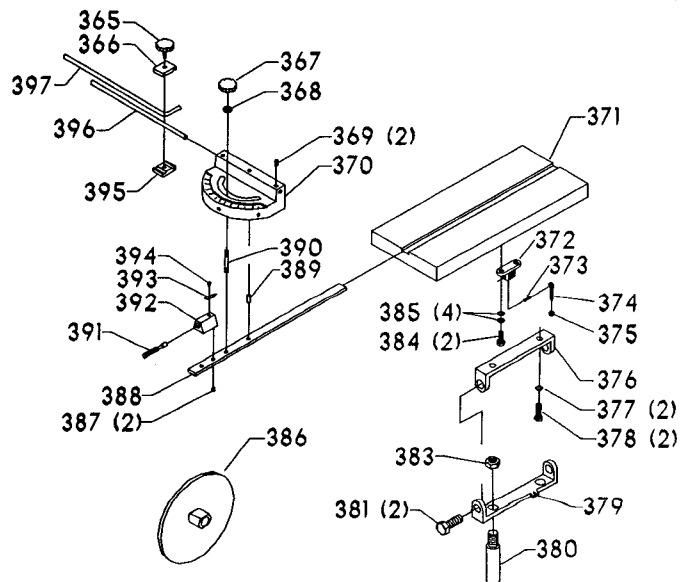
46-875
SHORT SHELF



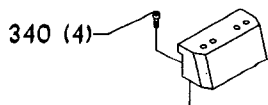
46-881
3 POINT STEADY REST

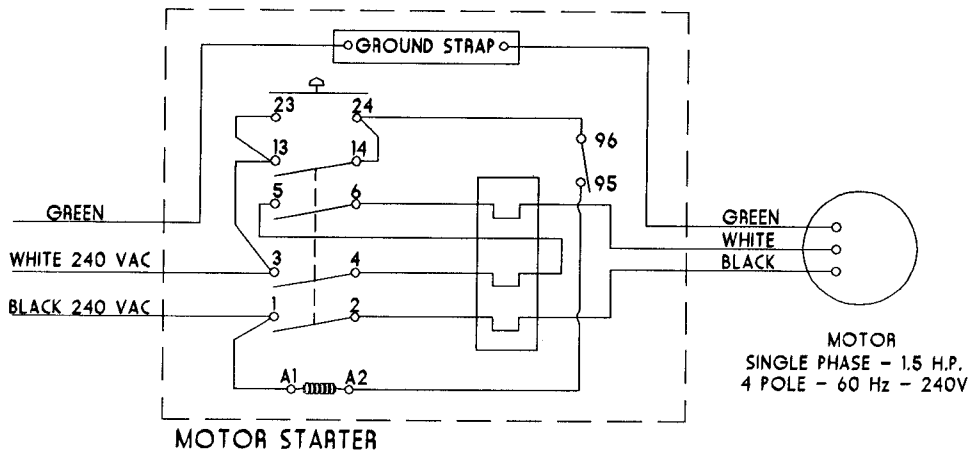
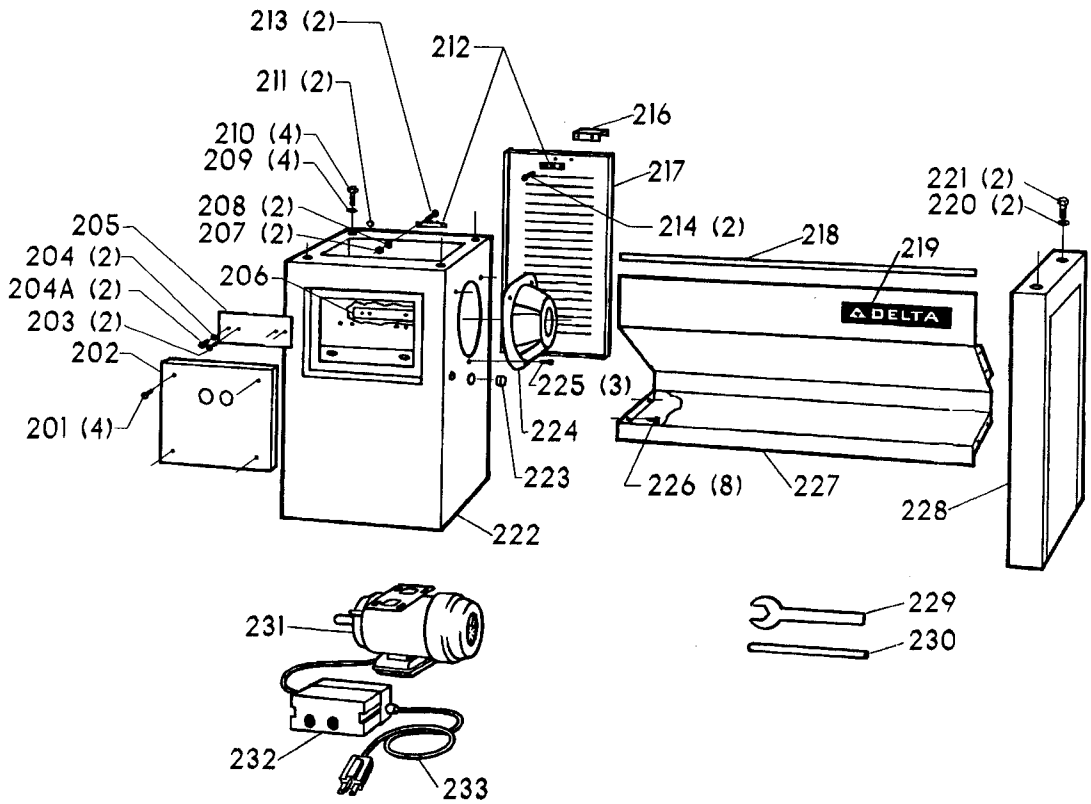


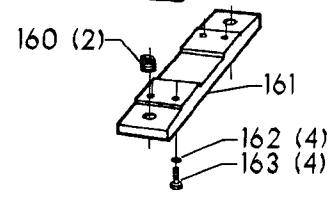
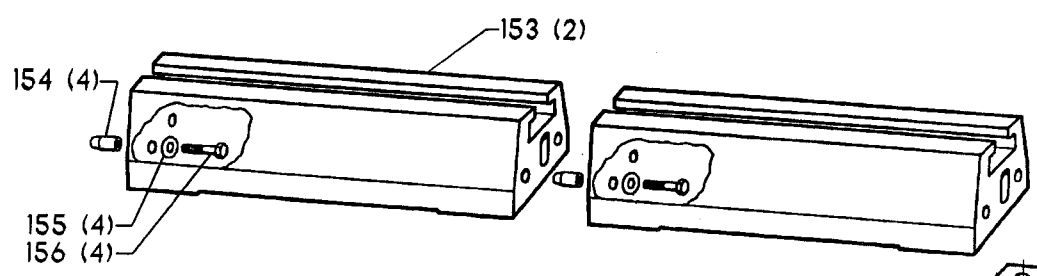
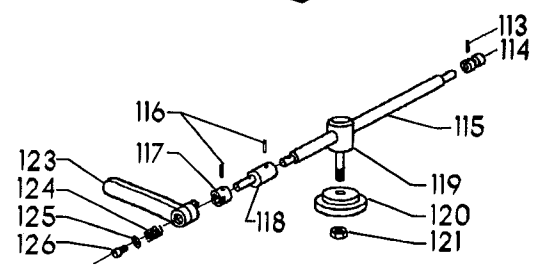
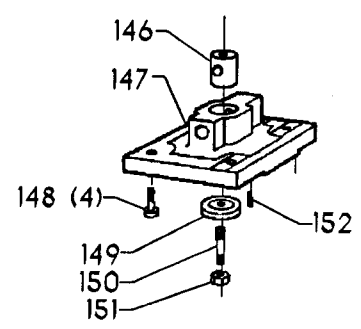
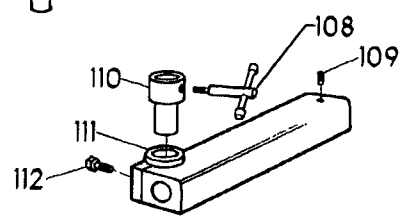
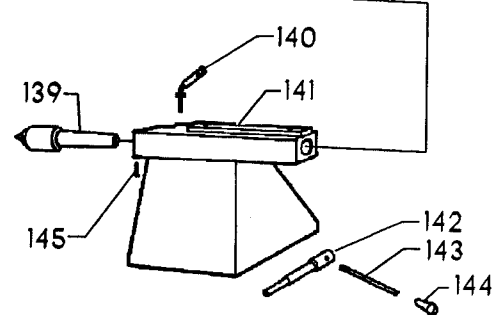
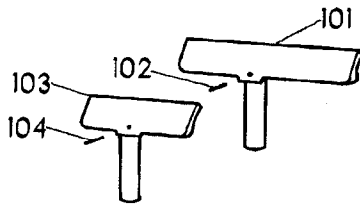
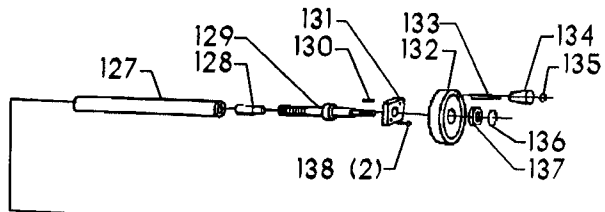
46-876
SANDING DISC W/TABLE & MITER GAGE



46-890
GAP BED FILLER BLOCK
(SET OF 2)







Parts List for 46-859 Type 1

| Item Number | Part Number | Description | Qty Required |
|-------------|--------------|---------------------|--------------|
| 1 | 000000-00 | No Longer Available | 1 |
| 2 | 1348809 | COVER | 1 |
| 3 | 1348782 | INDEX CHART | 1 |
| 4 | 1348808 | SPRING | 1 |
| 5 | 1087794 | RIVET | 1 |
| 6 | 1348806 | DECAL | 1 |
| 7 | 1348807 | LATCH | 1 |
| 8 | 1243306 | SCREW | 2 |
| 9 | 1246002 | MACH SCREW | 2 |
| 10 | 000000-00 | No Longer Available | 1 |
| 11 | 1246002 | MACH SCREW | 2 |
| 12 | 1348826 | BRACKET | 1 |
| 13 | 1348827 | HINGE | 1 |
| 14 | 1246140 | FL WASHER | 2 |
| 15 | 1243456 | NUT | 2 |
| 16 | 000000-00 | No Longer Available | 1 |
| 17 | 489382-00 | SCREW | 3 |
| 18 | 1348816 | BEARING CAP | 1 |
| 19 | 1348817 | BEARING NUT | 1 |
| 20 | 920040216559 | BEARING | 1 |
| 21 | 1246004 | CAP SCREW | 2 |
| 22 | 1348887 | NUT | 1 |
| 23 | 000000-00 | No Longer Available | 1 |
| 24 | 1348781 | SPEED CHART | 1 |
| 25 | 1243331 | SCREW | 2 |
| 26 | 1348811 | BLOCK | 1 |
| 27 | 1348812 | INDEX PIN | 1 |

Parts List for 46-859 Type 1

| Item Number | Part Number | Description | Qty Required |
|-------------|--------------|---------------------|--------------|
| 28 | 1348813 | SPRING | 1 |
| 29 | 1348814 | HOUSING | 1 |
| 30 | 905010102711 | ROLL PIN | 1 |
| 31 | 1348815 | KNOB | 1 |
| 32 | 1348821 | SPINDLE PULLEY | 1 |
| 33 | 1348822 | INDEX SCALE | 1 |
| 34 | 1348823 | SPACER | 1 |
| 35 | 1330262 | BEARING | 1 |
| 36 | 1348824 | KEY | 1 |
| 37 | 000000-00 | No Longer Available | 1 |
| 38 | 1348816 | BEARING CAP | 1 |
| 38 | 1349963 | SPACER | 1 |
| 39 | 489382-00 | SCREW | 3 |
| 40 | 000000-00 | No Longer Available | 1 |
| 41 | 1348830 | CENTER | 1 |
| 42 | 491950-00 | SET SCREW | 1 |
| 43 | 000000-00 | No Longer Available | 1 |
| 44 | 000000-00 | No Longer Available | 1 |
| 47 | 1348818 | PLUG | 1 |
| 48 | 000000-00 | No Longer Available | 1 |
| 49 | 1348780 | ID PLATE | 1 |
| 50 | 000000-00 | No Longer Available | 1 |
| 51 | 1243561 | SCREW | 4 |
| 52 | 1348829 | BELT | 1 |
| 53 | 1341011 | SCREW | 2 |
| 54 | 1348828 | MOTOR PULLEY | 1 |
| 55 | 000000-00 | No Longer Available | 1 |

Parts List for 46-859 Type 1

| Item Number | Part Number | Description | Qty Required |
|-------------|---------------|----------------|--------------|
| 56 | 1348779 | WARNING LABEL | 1 |
| 57 | 1348787 | BUSHING | 4 |
| 58 | 1348794 | KNOB | 1 |
| 59 | 1243360 | LOCKWASHER | 1 |
| 60 | 1243502 | WASHER | 1 |
| 61 | 1348795 | STUD | 1 |
| 62 | 1348796 | RETAINER | 1 |
| 63 | 1341153 | SCREW | 1 |
| 64 | 488822-00 | FLAT WASHER | 1 |
| 65 | 1348802 | SHAFT | 1 |
| 66 | 1348797 | SPRING | 1 |
| 67 | 1341153 | SCREW | 2 |
| 68 | 488822-00 | FLAT WASHER | 2 |
| 69 | 488822-00 | FLAT WASHER | 3 |
| 70 | 1310105 | SCREW | 3 |
| 71 | 1341011 | SCREW | 1 |
| 72 | 491964-00 | NUT | 1 |
| 73 | 489303-00 | HEX HEAD SCREW | 1 |
| 74 | 488822-00 | FLAT WASHER | 1 |
| 75 | 1348788 | SHAFT | 1 |
| 76 | 905010102706S | ROLL PIN | 1 |
| 77 | 1348847 | KNOB | 1 |
| 78 | 1348789 | LEVER | 1 |
| 79 | 1348790 | BLOCK | 1 |
| 80 | 1348793 | RETAINER SC | 1 |
| 81 | 1348792 | PLUG | 1 |
| 82 | 905010102706S | ROLL PIN | 1 |

Parts List for 46-859 Type 1

| Item Number | Part Number | Description | Qty Required |
|-------------|--------------|---------------------|--------------|
| 83 | 1348798 | PLATE | 1 |
| 84 | 1348799 | PIN | 1 |
| 85 | 488822-00 | FLAT WASHER | 1 |
| 86 | 491964-00 | NUT | 1 |
| 87 | 1348801 | LINK | 1 |
| 88 | 1341011 | SCREW | 1 |
| 89 | 1348800 | SHAFT | 1 |
| 90 | 1348804 | ARM | 1 |
| 91 | 1348803 | PLATE | 1 |
| 92 | 1348802 | SHAFT | 1 |
| 101 | 000000-00 | No Longer Available | 1 |
| 102 | 905010102715 | ROLL PIN | 1 |
| 103 | 000000-00 | No Longer Available | 1 |
| 104 | 905010102715 | ROLL PIN | 1 |
| 108 | 1348858 | LOCK SCREW | 1 |
| 109 | 1348861 | RETAINER SCREW | 1 |
| 110 | 1348856 | SLEEVE | 1 |
| 111 | 1348857 | BASE | 1 |
| 112 | 1348859 | SCREW | 1 |
| 113 | 905010102715 | ROLL PIN | 1 |
| 114 | 1348862 | BUSHING | 1 |
| 115 | 1348863 | SHAFT | 1 |
| 115 | 1349932 | SHAFT ASSY | 1 |
| 116 | 905010102715 | ROLL PIN | 1 |
| 117 | 1348868 | COLLAR | 1 |
| 118 | 1348869 | STUD | 1 |
| 119 | 1348864 | SCREW | 1 |

Parts List for 46-859 Type 1

| Item Number | Part Number | Description | Qty Required |
|-------------|---------------|---------------------|--------------|
| 120 | 1348851 | WASHER | 1 |
| 121 | 000000-00 | No Longer Available | 1 |
| 123 | 1348867 | HANDLE | 1 |
| 124 | 1348866 | SPRING | 1 |
| 125 | 1310062 | WASHER | 1 |
| 126 | 1345934 | SCREW | 1 |
| 127 | 1348834 | RAM | 1 |
| 128 | 1348835 | EJECTOR | 1 |
| 129 | 1348836 | SCREW | 1 |
| 130 | 1348837 | KEY | 1 |
| 131 | 1348838 | BLOCK | 1 |
| 132 | 1348839 | HANDWHEEL | 1 |
| 133 | 1348840 | STUD | 1 |
| 134 | 1348841 | KNOB | 1 |
| 135 | 1348842 | RETAINER | 1 |
| 136 | 1348843 | CAP | 1 |
| 137 | 1348844 | LOCK NUT | 1 |
| 138 | 1246004 | CAP SCREW | 2 |
| 139 | 000000-00 | No Longer Available | 1 |
| 140 | 1348854 | LOCK LEVER | 1 |
| 141 | 1348855 | TAIL STOCK | 1 |
| 142 | 1348845 | LOCK SHAFT | 1 |
| 143 | 1348846 | LEVER | 1 |
| 144 | 1348847 | KNOB | 1 |
| 145 | 905010119301S | ROLL PIN | 1 |
| 146 | 1348849 | NUT | 1 |
| 147 | 000000-00 | No Longer Available | 1 |

Parts List for 46-859 Type 1

| Item Number | Part Number | Description | Qty Required |
|-------------|-------------|---------------------|--------------|
| 148 | 1243561 | SCREW | 4 |
| 149 | 1348851 | WASHER | 1 |
| 150 | 1348852 | STUD | 1 |
| 151 | 000000-00 | No Longer Available | 1 |
| 152 | 1348848 | STUD | 1 |
| 153 | 000000-00 | No Longer Available | 1 |
| 154 | 1348831 | PIN | 4 |
| 155 | 1243502 | WASHER | 4 |
| 156 | 1246020 | CAP SCREW | 4 |
| 160 | 1348832 | LEVELER | 2 |
| 161 | 000000-00 | No Longer Available | 1 |
| 162 | 488822-00 | FLAT WASHER | 4 |
| 163 | 1246017 | CAP SCREW | 4 |
| 201 | 1348878 | SCREW | 4 |
| 202 | 1348877 | COVER | 1 |
| 203 | 1341235 | SCREW | 2 |
| 203 | 1341235 | SCREW | 2 |
| 204 | 5140099-99 | LOCK WASHER | 2 |
| 204 | 1341235 | SCREW | 2 |
| 204 | 1341235 | SCREW | 2 |
| 205 | 1348876 | SWITCH PLATE | 1 |
| 206 | 1348875 | RETAINER | 1 |
| 207 | 000000-00 | No Longer Available | 2 |
| 208 | 492056-00 | WASHER | 2 |
| 209 | 1243502 | WASHER | 4 |
| 210 | 1246035 | CAP SCREW | 4 |
| 211 | 1348874 | BUMPER | 2 |

Parts List for 46-859 Type 1

| Item Number | Part Number | Description | Qty Required |
|-------------|--------------|---------------------|--------------|
| 212 | 1348873 | LATCH | 1 |
| 213 | 1243378 | SCREW | 2 |
| 214 | 1243306 | SCREW | 2 |
| 216 | 1348882 | HANDLE | 1 |
| 217 | 1348883 | DOOR | 1 |
| 218 | 1348884 | EDGE | 1 |
| 219 | 1348778 | NAMEPLATE | 1 |
| 220 | 1243502 | WASHER | 2 |
| 221 | 1246035 | CAP SCREW | 2 |
| 222 | 000000-00 | No Longer Available | 1 |
| 223 | 1348880 | HOLE PLUG | 1 |
| 224 | 1348881 | MOTOR COVER | 1 |
| 225 | 1087576 | SCREW | 3 |
| 226 | 1246002 | MACH SCREW | 8 |
| 227 | 000000-00 | No Longer Available | 1 |
| 228 | 000000-00 | No Longer Available | 1 |
| 229 | 1348860 | OPEN-END WRENCH | 1 |
| 230 | 000000-00 | No Longer Available | 1 |
| 231 | 000000-00 | No Longer Available | 1 |
| 232 | 000000-00 | No Longer Available | 1 |
| 233 | 438013020381 | CORD 230V. | 1 |
| 301 | 000000-00 | No Longer Available | 1 |
| 302 | 905010102715 | ROLL PIN | 1 |
| 303 | 1349700 | HANDLE | 1 |
| 304 | 000000-00 | No Longer Available | 1 |
| 305 | 000000-00 | No Longer Available | 1 |
| 306 | 000000-00 | No Longer Available | 1 |

Parts List for 46-859 Type 1

| Item Number | Part Number | Description | Qty Required |
|-------------|---------------|---------------------|--------------|
| 307 | 904010315734 | SPEC WSHR | 1 |
| 308 | 1349704 | HANDLE | 1 |
| 309 | 1341229 | SCREW | 4 |
| 310 | 1243502 | WASHER | 4 |
| 311 | 000000-00 | No Longer Available | 1 |
| 312 | 1349706 | SPRING | 1 |
| 313 | 000000-00 | No Longer Available | 1 |
| 314 | 000000-00 | No Longer Available | 1 |
| 315 | 1349711 | THREADED ROD | 1 |
| 316 | 1349712 | KNOB | 1 |
| 317 | 1349714 | NUT | 1 |
| 318 | 1349710 | TUBE | 1 |
| 319 | 1349709 | THREADED ROD | 1 |
| 320 | 904010101608 | STEEL WASHER | 1 |
| 321 | 1349712 | KNOB | 1 |
| 322 | 1349715 | THREADED ROD | 1 |
| 323 | 000000-00 | No Longer Available | 1 |
| 324 | 1313164 | WAVE WASHER | 1 |
| 325 | 901020100561S | MACHINE SCREW | 2 |
| 326 | 904010101609 | STEEL WASHER | 2 |
| 327 | 1349716 | SUPPORT | 1 |
| 328 | 1349719 | ENGAGE LABEL | 1 |
| 329 | 000000-00 | No Longer Available | 1 |
| 330 | 905010102733 | ROLL PIN | 1 |
| 331 | 000000-00 | No Longer Available | 1 |
| 332 | 1330200 | SCREW | 1 |
| 340 | 1246052 | CAP SCREW | 1 |

Parts List for 46-859 Type 1

| Item Number | Part Number | Description | Qty Required |
|-------------|---------------|---------------------|--------------|
| 345 | 1349741 | EDGE | 1 |
| 349 | 000000-00 | No Longer Available | 1 |
| 350 | 000000-00 | No Longer Available | 3 |
| 351 | 904010331451 | WASHER | 3 |
| 352 | 1349699 | ROLLER ASSY | 3 |
| 353 | 904010101638 | STEEL WASHER | 3 |
| 354 | 1342554 | SCREW | 3 |
| 355 | 1349698 | SLIDING ARM | 3 |
| 357 | 904010317706 | WASHER | 3 |
| 358 | 902040101404S | WING NUT | 3 |
| 359 | 1349696 | CLAMP BLOCK | 1 |
| 360 | 902010101282S | HEX JAM NUT | 1 |
| 361 | 904010101611 | STEEL WASHER | 1 |
| 362 | 000000-00 | No Longer Available | 1 |
| 363 | 000000-00 | No Longer Available | 1 |
| 365 | 1349723 | KNOB | 1 |
| 366 | 1349724 | UPPER CLAMP | 1 |
| 367 | 1349726 | KNOB | 1 |
| 368 | 904010315655 | WASHER | 1 |
| 369 | 000000-00 | No Longer Available | 2 |
| 370 | 000000-00 | No Longer Available | 1 |
| 371 | 000000-00 | No Longer Available | 1 |
| 372 | 1349740 | MOUNTING BRACKET | 1 |
| 373 | 000000-00 | No Longer Available | 1 |
| 374 | 000000-00 | No Longer Available | 1 |
| 375 | 1349929 | NUT | 1 |
| 376 | 000000-00 | No Longer Available | 1 |

Parts List for 46-859 Type 1

| Item Number | Part Number | Description | Qty Required |
|-------------|---------------|---------------------|--------------|
| 377 | 904030201750 | LOCK WASHER | 2 |
| 378 | 901010600607S | SCREW | 2 |
| 379 | 000000-00 | No Longer Available | 1 |
| 380 | 1349735 | SUPPORT SHAFT | 1 |
| 381 | 000000-00 | No Longer Available | 2 |
| 383 | 489026-00 | HEX NUT | 1 |
| 384 | 901010600605 | CAP SCREW | 2 |
| 385 | 904030201750 | LOCK WASHER | 4 |
| 386 | 000000-00 | No Longer Available | 1 |
| 387 | 489563-00 | SCREW | 2 |
| 388 | 000000-00 | No Longer Available | 1 |
| 389 | 1349729 | PIN | 1 |
| 390 | 1349733 | STUD | 1 |
| 391 | 1349730 | LOCK STUD INDEX PIN | 1 |
| 392 | 1349731 | BLOCK | 1 |
| 393 | 1349732 | POINTER | 1 |
| 394 | 901061217383 | SCREW | 1 |
| 395 | 1349725 | LOWER CLAMP | 1 |
| 396 | 1349722 | BAR | 1 |
| 397 | 1349721 | STOP BAR | 1 |
| 856 | 000000-00 | No Longer Available | 1 |
| 856 | 000000-00 | No Longer Available | 1 |
| 856 | 000000-00 | No Longer Available | 1 |
| 856 | 000000-00 | No Longer Available | 1 |