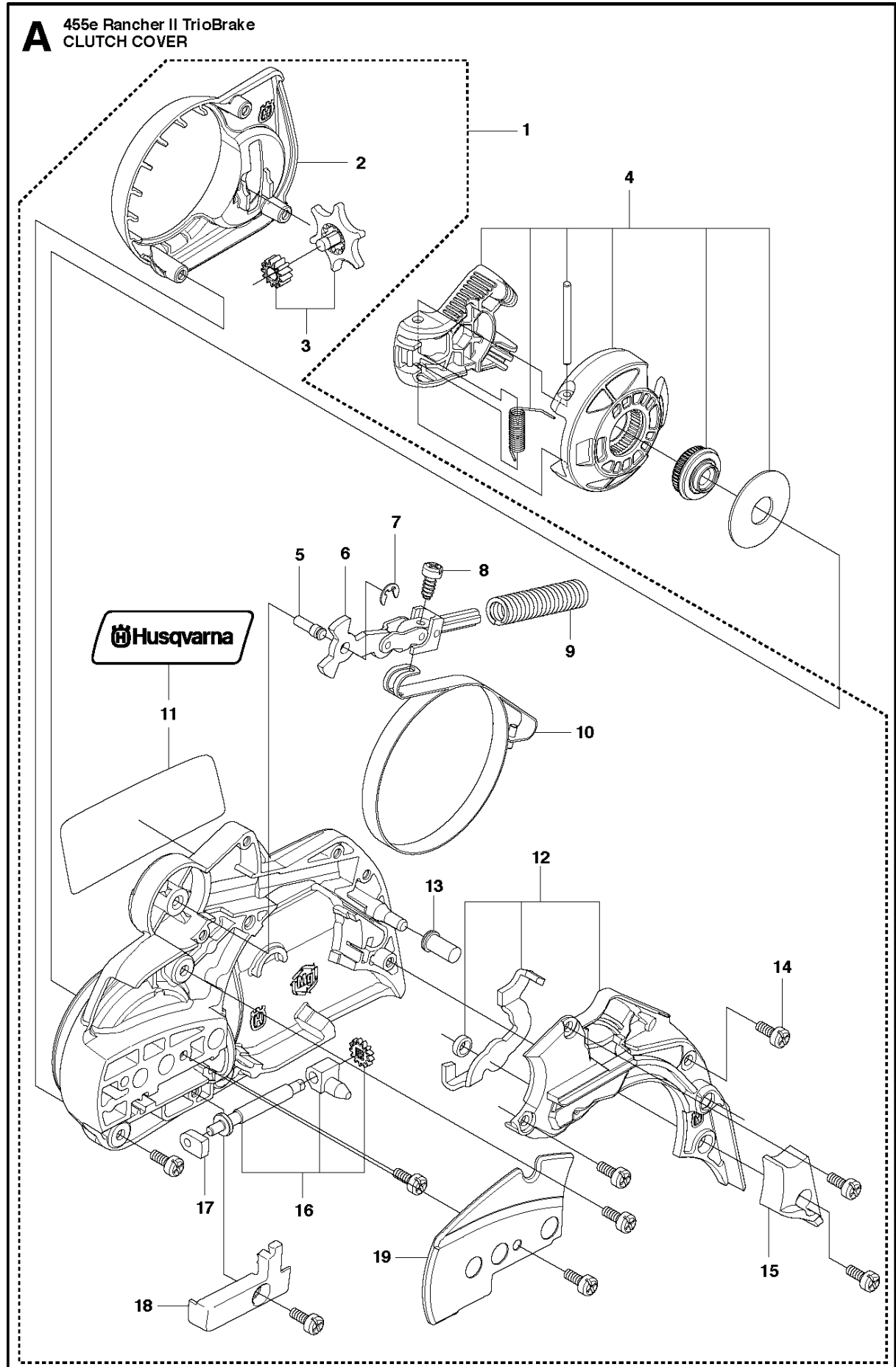




SPARE PARTS LIST

CHAIN SAWS

455 E RANCHER II TRIOBRAKE

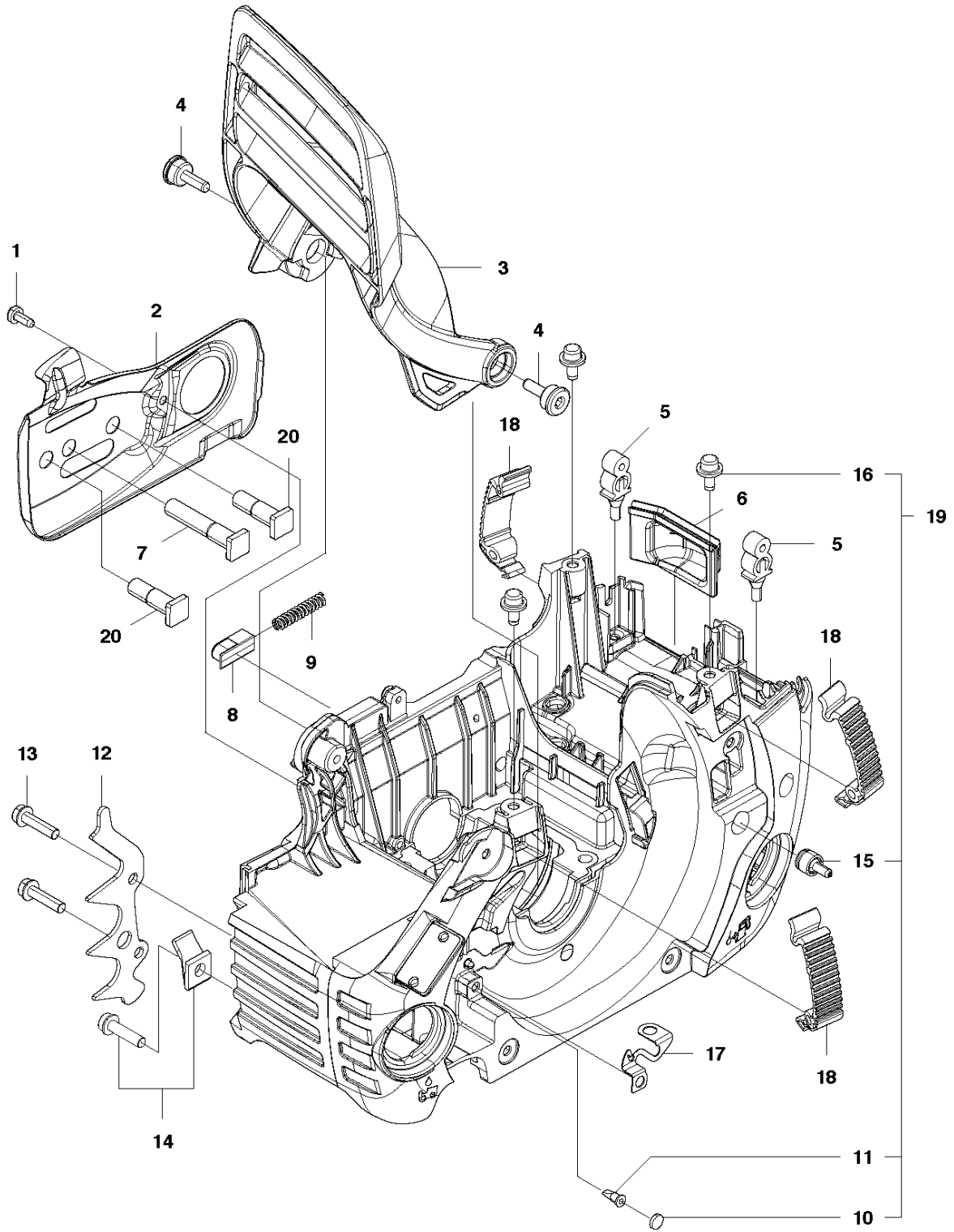


CLUTCH COVER

455 E RANCHER II TRIOBRAKE

Ref	Part no.	Description	Remark	Qty	Kit
1	505 32 42-01	CLUTCH COVER ASSY		1	
2	537 39 26-01	HEAT PROTECTOR		1	1
3	537 34 72-01	CHAIN TENSIONER WHEEL		1	1
4	537 34 78-01	KNOB		1	
5	503 89 29-01	PIN KNEE-JOINT		1	1
6	503 89 08-02	KNEE JOINT ASSY		1	1
7	735 31 08-20	E-CLIP		1	1
8	503 21 70-10	SCREW CCRPANT		1	1
9	503 46 59-01	BRAKE SPRING		1	1
10	537 04 30-01	BRAKE BAND ASSY		1	1
11	544 35 75-01	LABEL		1	1
12	502 30 61-01	COVER LID ASSY		1	1
13	503 85 52-01	GUIDE BUSHING		1	1
14	503 21 70-10	SCREW CCRPANT		9	1
15	544 08 30-01	WEAR PROTECTION		1	1
16	537 39 29-01	CHAIN TENSION SCREW		1	1
17	544 84 55-01	BEARING SLEEVE		1	1
18	504 54 28-01	COVER LID		1	1
19	544 25 05-01	WEAR PLATE		1	1

B 455e Rancher II TrioBrake
CRANKCASE

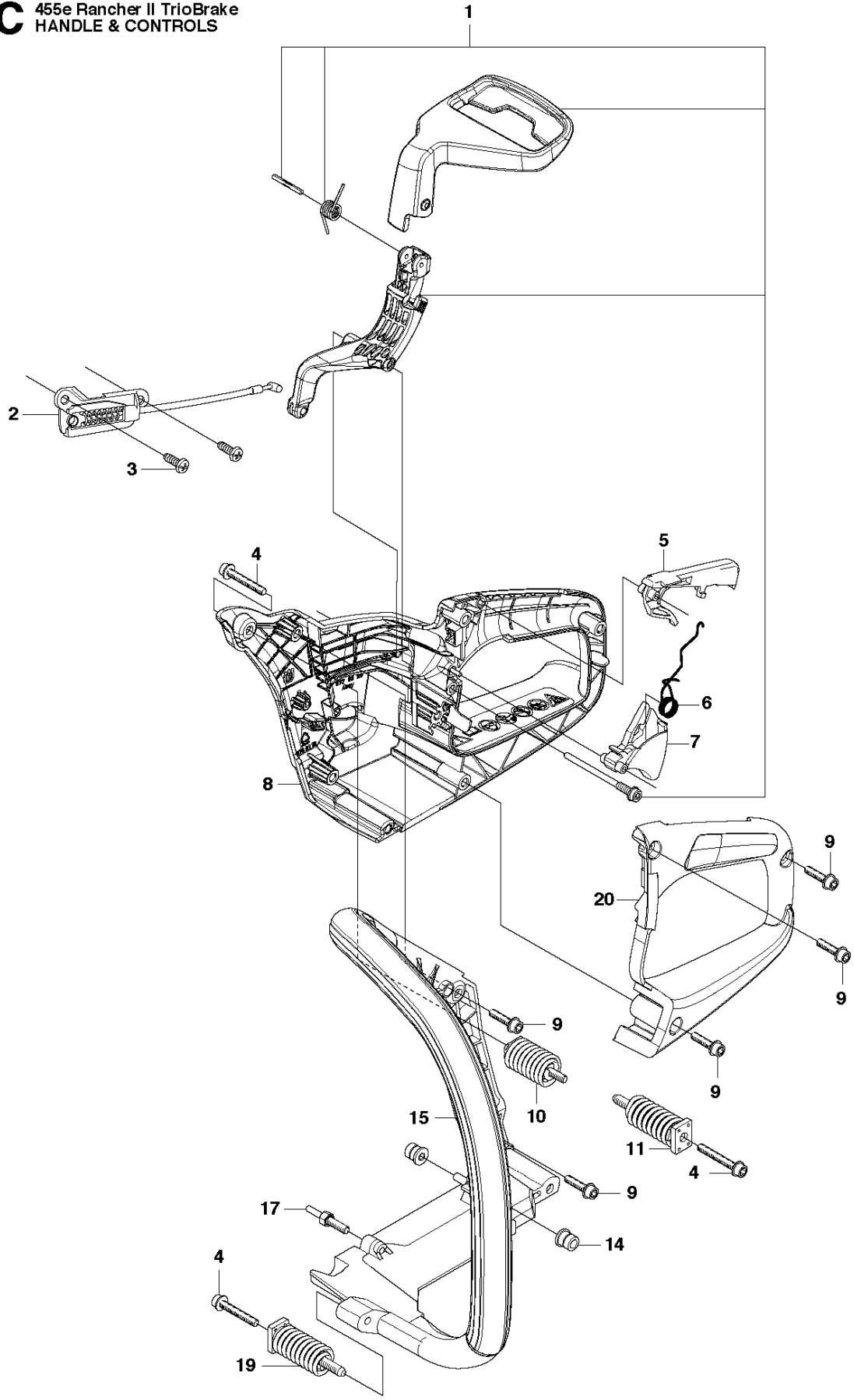


CRANKCASE

455 E RANCHER II TRIOBRAKE

Ref	Part no.	Description	Remark	Qty	Kit
1	503 21 70-10	SCREW CCRPANT		1	
2	537 27 13-02	CHAIN GUIDE PLATE		1	
3	574 60 29-01	HAND GUARD		1	
4	537 29 65-01	SCREW		2	
5	503 86 93-01	CARBURETTOR MOUNTING		2	
6	575 55 41-01	BELLOWS		1	
7	537 33 46-02	BAR BOLT		2	
8	503 89 24-01	LOCK		1	
9	503 43 65-01	POSITION SPRING		1	
10	537 40 35-01	FILTER		1	19
11	530 02 61-19	CHECK VALVE		1	19
12	578 06 88-01	SPIKES		1	
13	503 21 68-72	SCREW IHSCFT		2	
14	503 91 06-71	KIT		1	
15	537 35 95-01	TANK VENT ASSY		1	19
16	544 33 16-01	GUIDE PIN		3	19
17	575 39 30-01	GROUND PLATE		1	
18	503 89 47-01	SNAP		3	
19	577 59 54-01	CRANKCASE		1	
20	537 22 78-01	BAR BOLT		1	

C 455e Rancher II TrioBrake
HANDLE & CONTROLS



HANDLE & CONTROLS

455 E RANCHER II TRIOBRAKE

Ref	Part no.	Description	Remark	Qty	Kit
1	575 83 16-01	HAND GUARD		1	
2	574 21 21-01	WIRE ASSY		1	
3	503 21 70-72	SCREW CCRPANT		2	
4	503 21 88-76	SCREW IHSCFT		3	
5	502 44 02-01	THROTTLE LOCKOUT		1	
6	503 99 86-01	RECOIL SPRING		1	
7	537 26 05-03	THROTTLE TRIGGER		1	
8	581 60 32-01	REAR HANDLE		1	
9	503 21 02-70	SCREW IHSCFT		5	
10	537 30 46-01	ANTIVIBRATION ELEMENT		1	
11	503 85 41-01	ANTIVIBRATION ELEMENT		1	
14	503 86 92-01	LATERAL SUPPORT		2	
15	574 21 19-01	FRONT HANDLE		1	
17	537 24 29-01	SCREW		1	
19	503 92 31-01	ANTIVIBRATION ELEMENT		1	
20	537 23 07-04	CAP		1	