



# SERVICE PARTS LIST

**BULLETIN NO.**  
54-20-0010

SPECIFY CATALOG NO. AND SERIAL NO. WHEN ORDERING PARTS		REVISED BULLETIN	DATE
<b>13 HP DIRECT DRIVE PRESSURE WASHER</b>			Feb. 2011
CATALOG NO. 4555-22	STARTING SERIAL NUMBER	<b>B06A</b>	
WIRING INSTRUCTION			

**00** **0** EXAMPLE:  
Component Parts (Small #)  
Are Included When Ordering  
The Assembly (Large #).

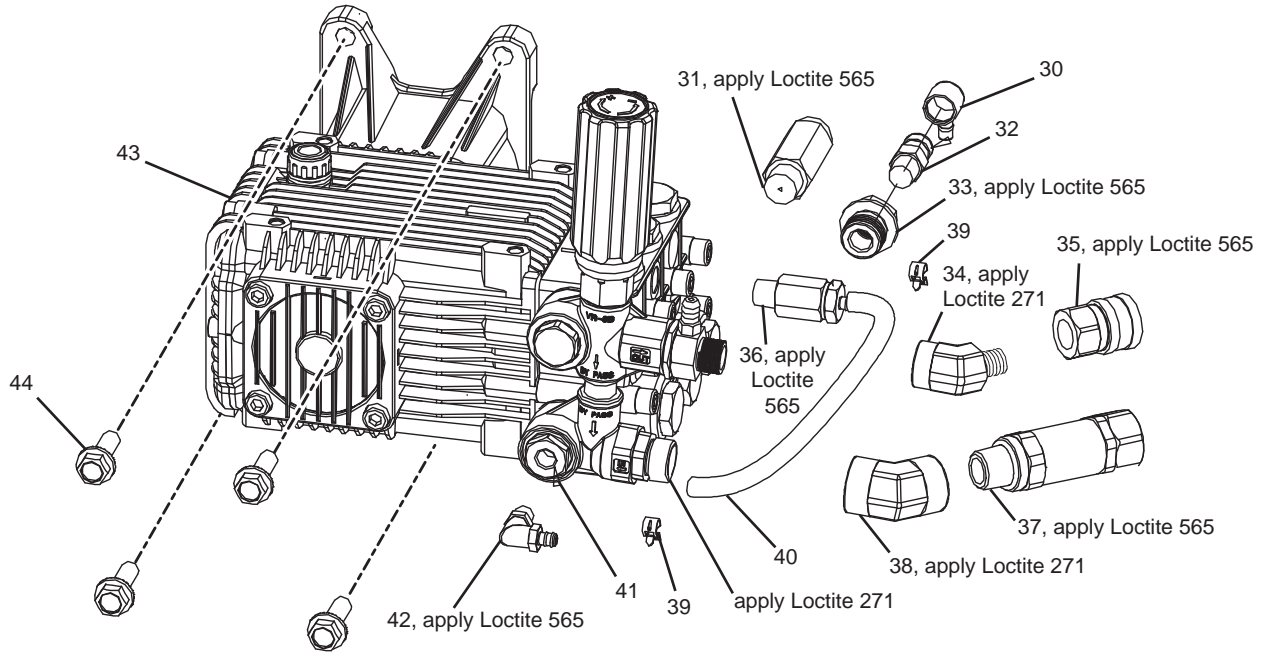


FIG.	PART NO.	DESCRIPTION OF PART	NO. REQ.	FIG.	PART NO.	DESCRIPTION OF PART	NO. REQ.
30	42-68-0850	Black Spout	1	38	42-86-0300	45° Angle Pipe Inlet	1
31	42-90-0510	Pressure Relief Valve	1	39	*	Fuel Line Hose Clamp	2
32	42-90-0500	Thermal Relief Valve	1	40	*	Low Pressure Return Hose	1
33	42-86-0350	Reducer	1	41	42-32-0400	Inlet Bolt	1
34	42-86-0200	45° Angle Pipe Outlet	1	42	43-24-0500	90° Elbow	1
35	42-90-0550	HP Outlet	1	43	44-78-0075	Pump (RKV4G36) (complete)	1
36	42-77-0300	E-Z Start Valve	1	44	*	Bolt (3/8-16 x 1-1/4 in.)	4
37	42-90-0600	Garden Hose Coupler/Filter	1				

\* Standard Hardware - Purchase Locally

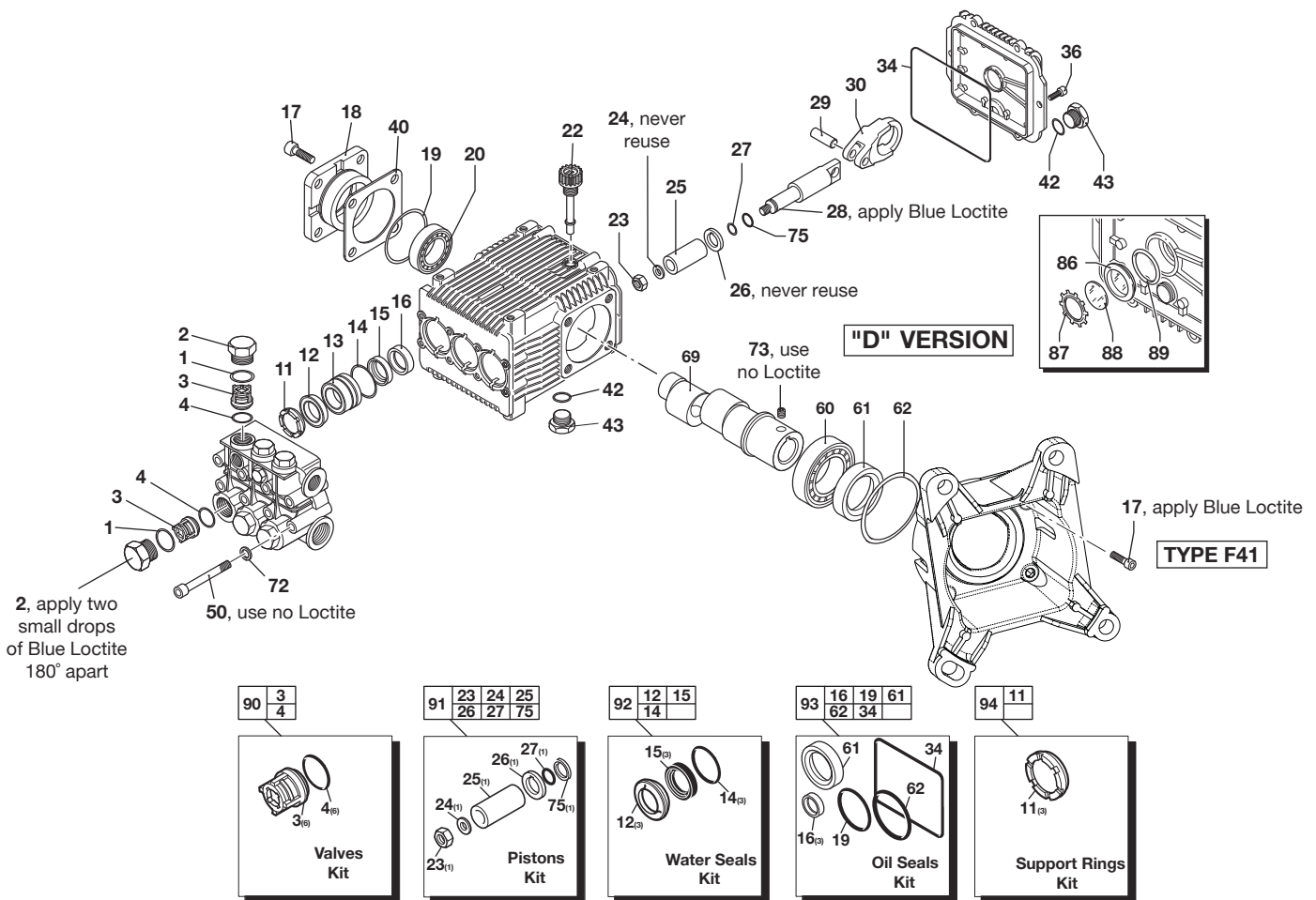


FIG.	PART NO.	DESCRIPTION OF PART	NO. REQ.	FIG.	PART NO.	DESCRIPTION OF PART	NO. REQ.
1	34-40-1700	O-Ring	6	36	06-14-0205	Bolt (M6 x 14 mm), **89 (7.5)	6
2	42-52-0425	Valve Cap, **478 (40s)	6	40	45-14-0300	Shim (0.10 mm)	1-3
3	-----	Complete Valve	6	40	45-14-0310	Shim (0.20 mm)	1-3
4	-----	O-Ring	6	40	45-14-0315	Shim (0.25 mm)	1-3
6	34-40-1710	O-Ring	2	40	45-14-0320	Shim (0.5 mm)	1-3
11	-----	Support Ring	3	42	34-40-1735	O-Ring	3
12	-----	High Pressure Packing	3	43	44-68-0200	Plug	2
13	43-56-0950	Piston Guide	3	50	06-14-0210	Head Bolt (M8 x 70 mm), **217 (18)	8
14	-----	O-Ring	3	60	02-50-0205	Bearing	1
15	-----	Gasket	3	61	-----	Oil Seal	1
16	-----	Oil Seal	3	62	-----	O-Ring	1
17	06-14-0200	Bolt (M8 x 16 mm), **217 (18)	8	69	45-08-0340	Hollow Shaft	1
18	30-10-0200	Closed Bearing Support	1	72	45-88-1905	Washer	8
19	-----	O-Ring	2	73	06-83-0150	Set Screw (M6 x 6 mm)	1
20	02-50-0200	Bearing	1	75	-----	Back-up Ring	3
22	42-52-0430	Vented Oil Cap	1	86	43-50-0100	Oil Sight Glass	1
23	-----	Nut (M8), **106 (8.8)	3	87	34-60-0150	Snap Ring	1
24	-----	Washer	3	88	43-06-0220	Contrast Disc	1
25	-----	Ceramic Piston	3	89	34-40-1745	O-Ring	1
26	-----	Slinger	3	90	45-80-0320	Valves Kit	1
27	-----	O-Ring	3	91	44-62-0300	Pistons Kit	1
28	44-62-0280	Guiding Piston	3	92	44-90-0490	Water Seals Kit	1
29	44-60-1820	Piston Pin	3	93	43-44-1190	Oil Seals Kit	1
30	44-94-0470	Con Rod	3	94	44-90-0480	Support Rings Kit	1
34	-----	O-Ring	1	49-32-0150	-----	Pump Oil	1

\* Standard Hardware - Purchase Locally

\*\* Torque Specifications - inch pounds (foot pounds)

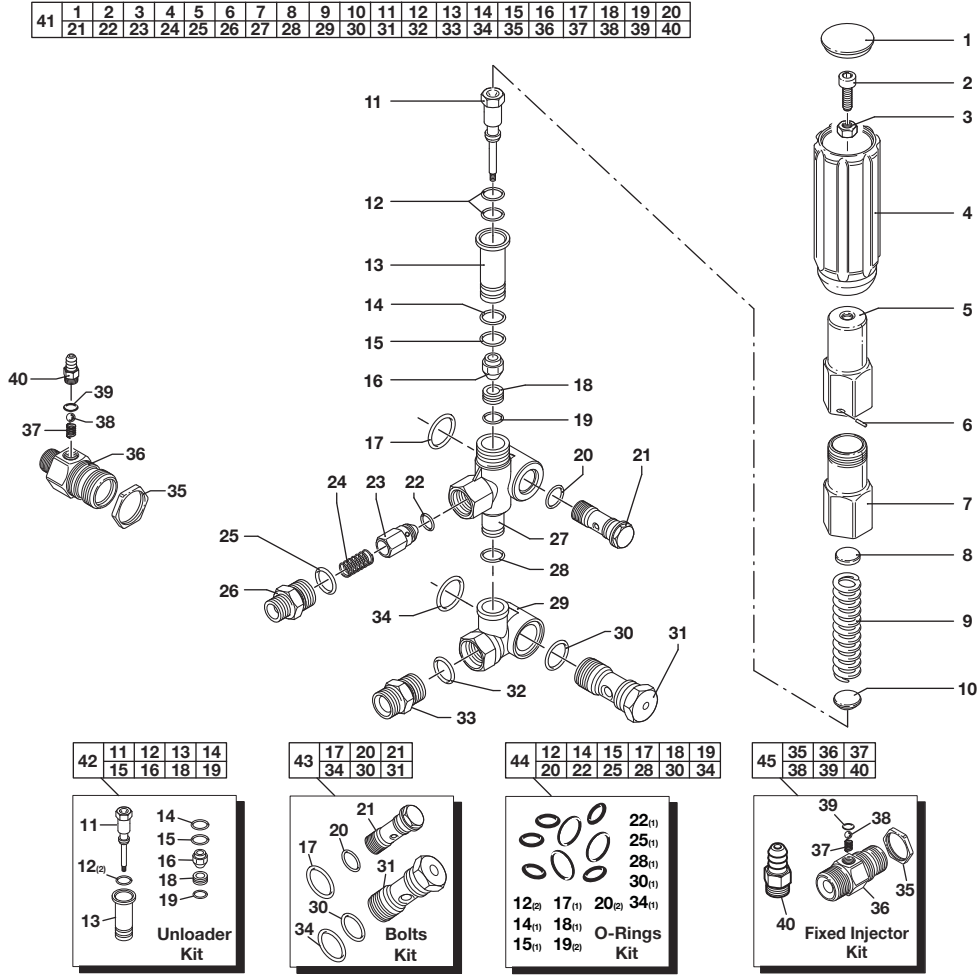


FIG.	PART NO.	DESCRIPTION OF PART	NO. REQ.	FIG.	PART NO.	DESCRIPTION OF PART	NO. REQ.
1	42-52-0435	Cap	1	24	40-50-0535	Spring	1
2	06-14-0220	Bolt (M8 x 22)	1	25	-----	O-Ring	1
3	06-55-0855	Nut (M8)	1	26	42-90-0350	Adaptor (3/8 in.)	1
4	43-98-0790	Pressure/Flow Adjustment Handle	1	27	42-56-0110	Valve Housing	1
5	06-14-0225	Bolt	1	28	-----	O-Ring	1
6	44-60-1825	Pin	1	29	42-56-0100	By-pass Housing (1/2 in. NPT)	1
7	43-56-0955	Spring Guide	1	30	-----	O-Ring	1
8	43-06-0225	Upper Plate	1	31	-----	Inlet Bolt (1/2 in. G with 1/8 in. FNPT Port)	1
9	40-50-0530	Spring	1	32	34-40-1840	O-Ring	1
10	43-06-0230	Lower Plate	1	33	43-33-0515	Suction Fitting	1
11	-----	Piston	1	34	-----	O-Ring	1
12	-----	O-Ring	2	35	-----	Lock Nut	1
13	-----	Piston Guide	1	36	-----	Injector Body (3/8 in. G2.1)	1
14	-----	O-Ring	1	37	-----	Spring	1
15	-----	O-Ring	1	38	-----	Ball	1
16	-----	By-pass Jet	1	39	-----	O-Ring	1
17	-----	O-Ring	1	40	-----	Hose Barb	1
18	-----	Seat	1	41	43-64-0250	Unloader Assembly	1
19	-----	O-Ring	1	42	44-62-0290	Unloader Kit	1
20	-----	O-Ring	1	43	42-32-0370	Bolts Kit	1
21	-----	Thread Bolt	1	44	34-40-1860	O-Rings Kit	1
22	-----	O-Ring	1	45	42-90-0370	Fixed Injector Kit	1
23	45-80-0305	Shutter Valve	1				

\* Standard Hardware - Purchase Locally

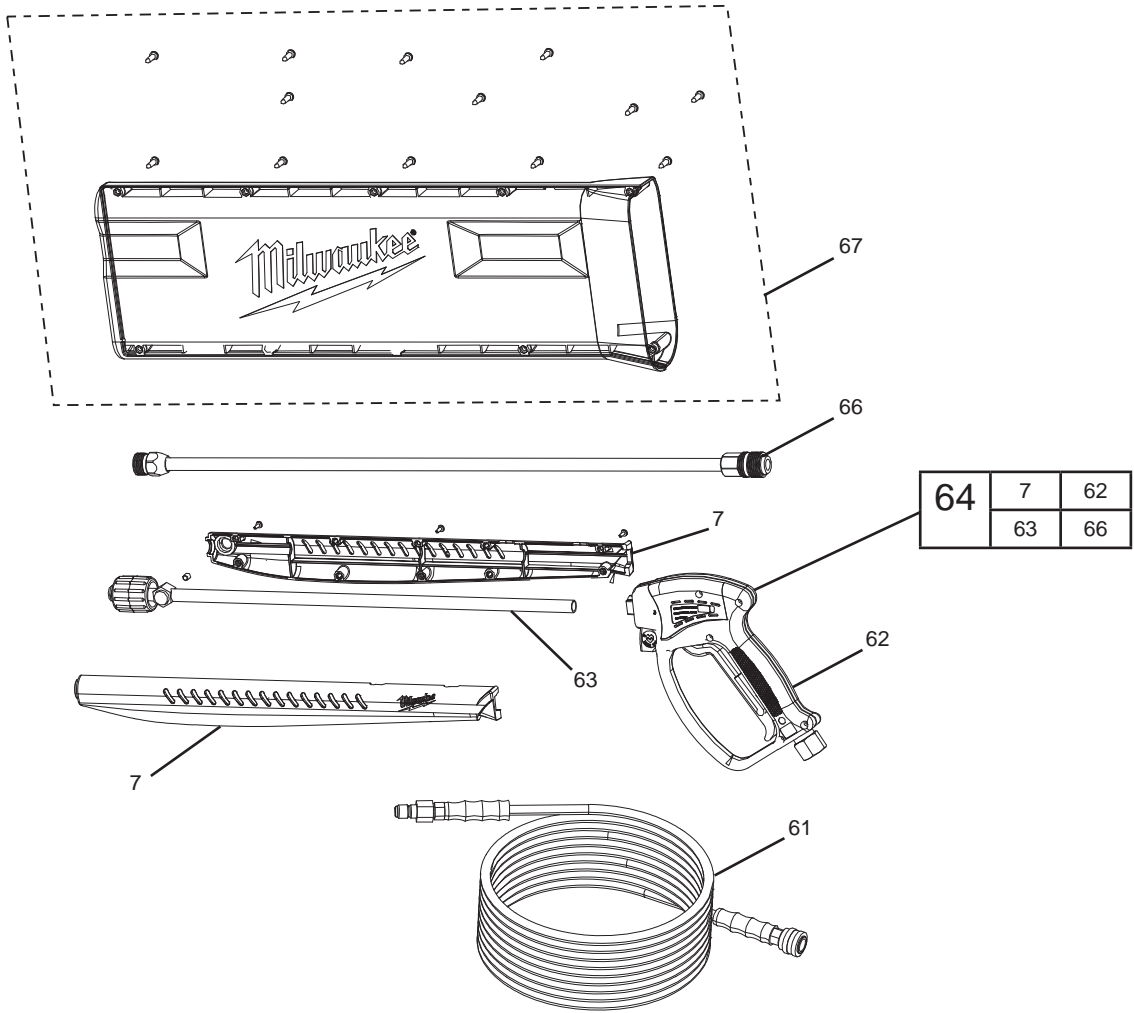


FIG.	PART NO.	DESCRIPTION OF PART	NO. REQ.	FIG.	PART NO.	DESCRIPTION OF PART	NO. REQ.
7	14-46-0330	Spray Wand Grips	2	64	14-46-0320	Spray Wand Assembly	1
61	43-75-0100	High-Pressure Hose (50 feet)	1	66	45-76-0600	Spray Wand Extension (lower)	1
62	43-62-1400	Spray Wand	1	67	44-66-1450	Wand Storage Holster Assembly	1
63	45-76-0605	Spray Wand Extension (upper)	1				

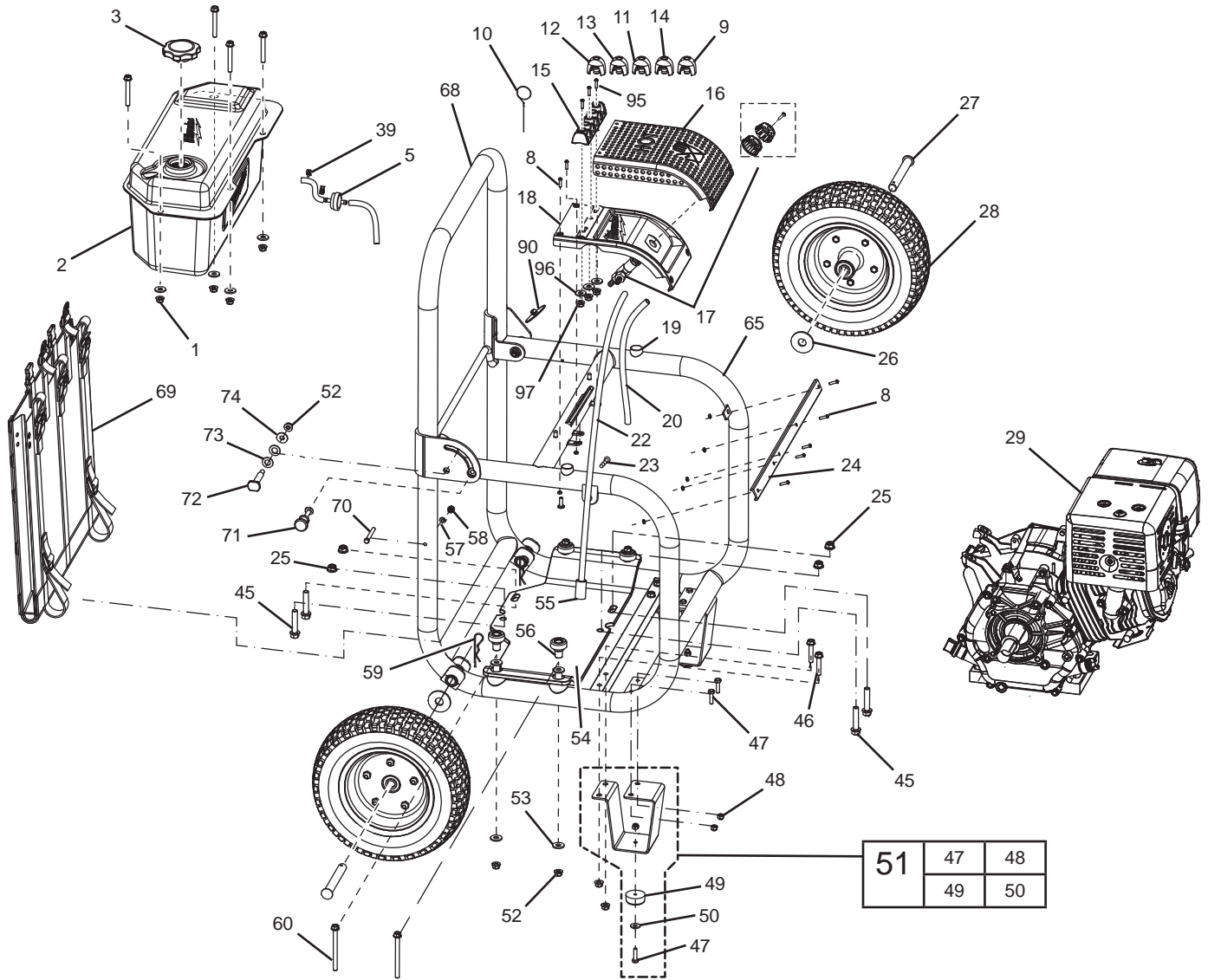


FIG.	PART NO.	DESCRIPTION OF PART	NO. REQ.
1	43-86-0200	Fuel Tank Isolater	4
2	45-66-0200	Fuel Tank	1
3	42-52-0500	Fuel Cap	1
8	*	Bolt (M5 x 16 mm, Pan hd.)	9
9	43-98-2000	Nozzle, Red (0°)	1
10	45-70-0200	Nozzle Cleaning Tool	1
11	43-98-2040	Nozzle, Green (25°)	1
12	43-98-2080	Nozzle, Black (Soap)	1
13	43-98-2060	Nozzle, White (40°)	1
14	43-98-2020	Nozzle, Yellow (15°)	1
15	43-72-2000	Nozzle Holder	1
16	43-54-0750	Muffler Cover	1
17	14-46-0325	Detergent Metering Valve Assembly	1
18	44-66-1445	Panel, Top	1
19	42-38-0400	Bumper	2
20	45-76-0615	Detergent Hose	1
21	*	Hex Nut (M5)	9
22	45-76-0610	Injection Hose	1
23	*	Bolt (1/4-20 x 3/4 in.)	2
24	42-36-0150	Front Frame Plate	1
25	*	Lock Nut (M10)	4
26	*	Flat Washer (5/8 in.)	2
27	42-12-0350	Axle	2
28	45-94-0500	Wheel Assembly	2
29	***	Engine (Honda GX390)	1
39	*	Fuel Line Hose Clamp	2
45	*	Bolt (M10 x 48 mm, Hex hd.)	4
46	*	Bolt (M8 x 40 mm, Hex hd.)	4

FIG.	PART NO.	DESCRIPTION OF PART	NO. REQ.
47	*	Bolt (1/4-20, 1-1/4 Hex hd.)	6
48	*	Lock Nut (1/4 in.)	6
49	-----	Wear Pad	2
50	*	Washer (D19 x d7.9 x T1.8)	2
51	14-46-0335	Frame Support Kit	1
52	*	Lock Nut (M8)	10
53	*	Flat Washer (5/16 in.)	8
54	44-66-1440	Engine Plate	1
55	43-31-0450	Injection Hose Filter	1
56	43-86-0210	Engine Plate Isolator Kit	1
57	*	Washer (D12 x d6 x T1)	1
58	*	Lock Nut (M6)	1
59	*	Hitch Pin	2
60	*	Bolt (M8 x 90 mm, Hex hd.)	4
65	43-40-0650	Lower Frame Assembly	1
68	43-40-0645	Moving Handle	1
69	42-16-0200	Hose Storage Bag	1
70	*	Bolt (M6, Hex hd.)	1
71	44-60-2150	Release Pin	1
72	44-60-2100	Connection Pin	2
73	*	Nylon Washer (D22 x d12 x T1.5)	4
74	*	Nylon Washer (D22 x d9 x T2)	2
90	31-86-0350	Handle Frame Isolator	2
95	*	Screw (M5 x 16, Pan hd.)	1
96	*	Washer (D12 x d6 x T4)	1
97	*	Lock Nut (M5)	1
	***	Engine Oil (10W30, 32 oz.)	1
	10-15-1120	Label Kit (not shown)	

\* Standard Hardware - Purchase Locally

\*\*\* Parts Available at Your Local Honda Gasoline Engine Dealer