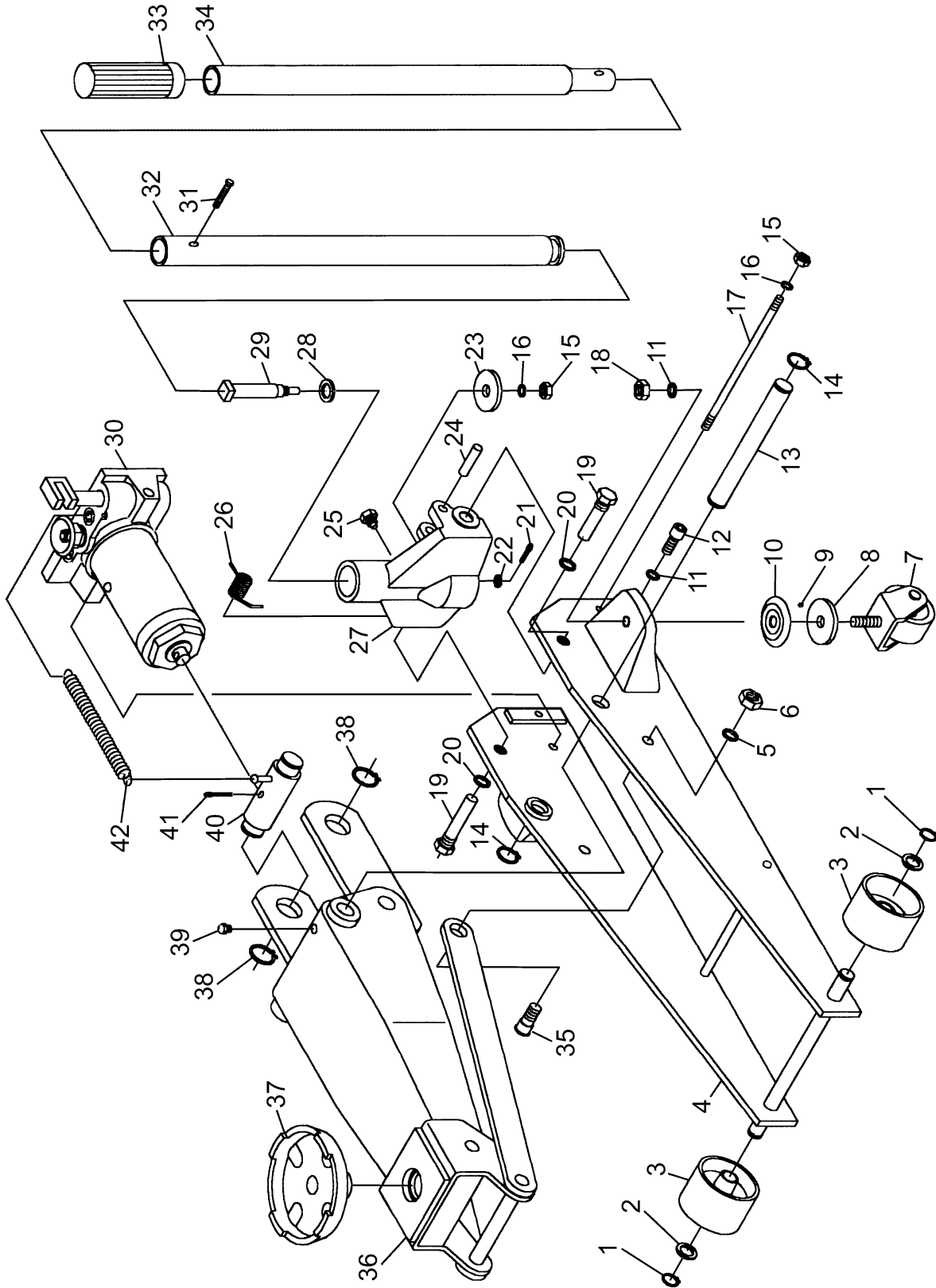


# Main Body Assembly

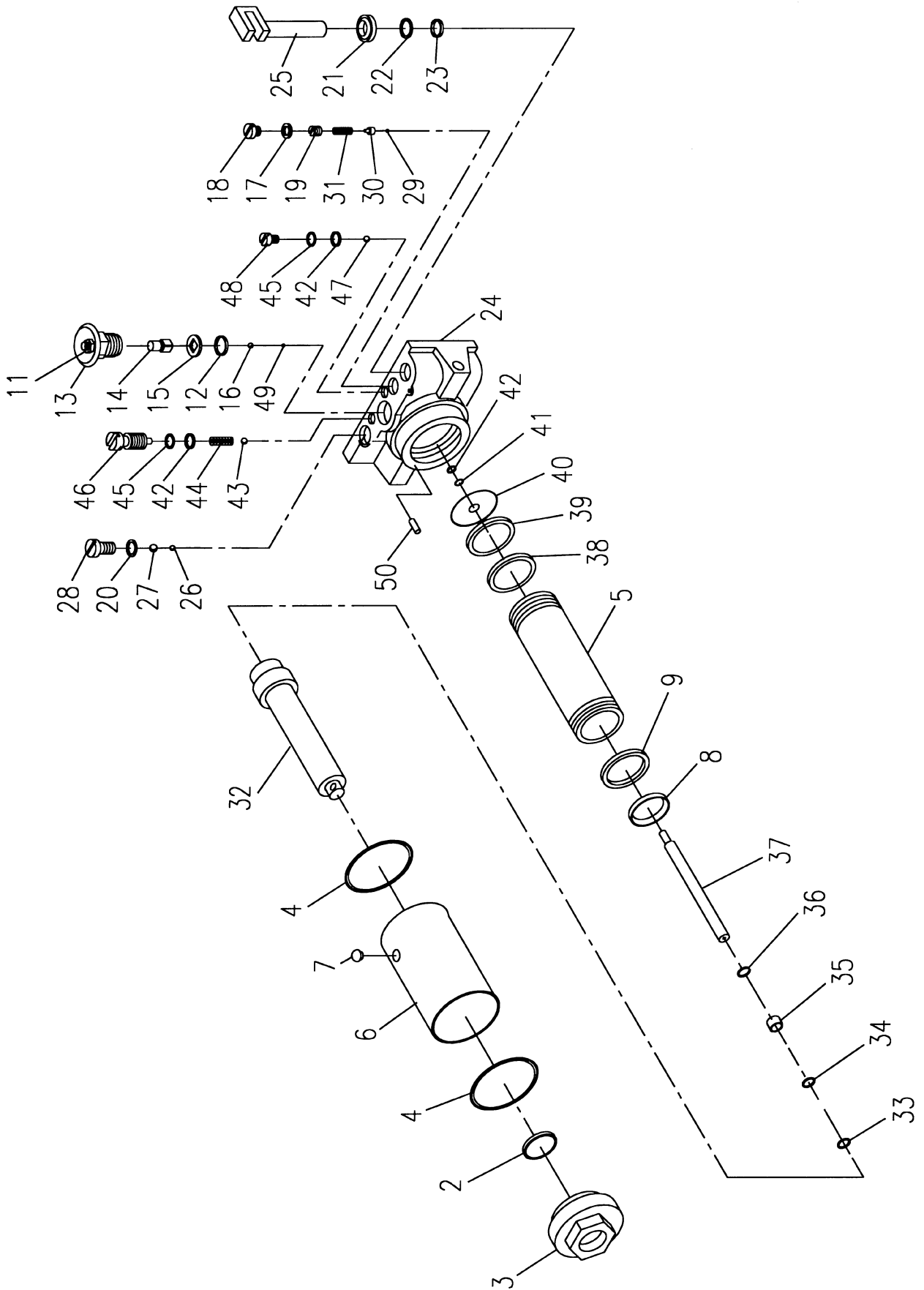


## Main Body Assembly

Index No.	Part No.	Description	Size	Qty.
1	JSJ3S-01	Retainer Ring*		2
2	JSJ3S-02	Washer		2
3	JSJ3S-03	Front Wheel*		2
4	JSJ3S-04	Side Plate Assembly		1
5	JSJ3S-05	Lock Washer		2
6	JSJ3S-06	Nut	M16	2
7	JSJ3S-07	Caster Assembly* (incls: #7-10)		2
8		Ball Ring		2
9		Ball Bearing		38
10		Ball Cover		2
11	JSJ3S-11	Lock Washer		4
12	JSJ3S-12	Socket Head Cap Screw	M12x25	2
13	JSJ3S-13	Arm Shaft		1
14	JSJ3S-14	Retainer Ring		2
15	JSJ3S-15	Nut	M10	3
16	JSJ3S-16	Lock Washer		3
17	JSJ3S-17	Shaft		1
18	JSJ3S-18	Nut	M12	2
19	JSJ3S-19	Bolt		2
20	JSJ3S-20	Lock Washer		2
21	JSJ3S-21	Pin		1
22	JSJ3S-22	Washer		1
23	JSJ3S-23	Gear		1
24	JSJ3S-24	Pump Pin		1
25	JSJ3S-25	Bolt		1
26	JSJ3S-26	Torsion Spring*		1
27	JSJ3S-27	Handle Socket		1
28	JSJ3S-28	Washer		1
29	JSJ3S-29	Gear Shaft		1
30	JSJ3X-30	Power Unit Assembly		1
31	JSJ3S-31	Bolt*	M6x35	1
32	JSJ3S-32	Lower Handle*		1
33	JSJ3S-33	Handle Grip*		1
34	JSJ3S-34	Upper Handle*		1
35	JSJ3S-35	Bolt		2
36	JSJ3S-36	Lifting Arm Assembly		1
37	JSJ3S-37	Saddle*		1
38	JSJ3S-38	Retainer Ring		2
39	JSJ3S-39	Grease Fitting		1
40	JSJ3S-40	Cross Head		1
41	JSJ3S-41	Pin		1
42	JSJ3S-42	Return Spring*		1

\* Indicates normal stocked part. Other parts may be purchased on a special order basis only. Contact JET Equipment & Tools (1-800-274-6848) for details.

# Power Unit Assembly



## Power Unit Assembly

Index No.	Part No.	Description	Size	Qty.
2	JSJ3X-P02	O-Ring **	30x3.55	1
3	JSJ3X-P03	Tank Nut		1
4	JSJ3X-P04	O-Ring **		2
5	JSJ3X-P05	Cylinder		1
6	JSJ3X-P06	Oil Tank		1
7	JSJ3X-P07	Oil Fill Plug **		1
8	JSJ3X-P08	U-Cup **		1
9	JSJ3X-P09	O-Ring **	33x3.55	1
11	JSJ3X-P11	Gear Retaining Nut	M8	1
12	JSJ3X-P12	O-Ring **	16x2.4	1
13	JSJ3X-P13	Release Valve Assembly *		1
14	JSJ3X-P14	Valve Stem		1
15	JSJ3X-P15	Guide Plate		1
16	JSJ3X-P16	Ball	6	1
17	JSJ3X-P17	Seal Washer **		1
18	JSJ3X-P18	Screw		1
19	JSJ3X-P19	Adjustment Screw		1
20	JSJ3X-P20	Seal Washer **		1
21	JSJ3X-P21	Wiper **		1
22	JSJ3X-P22	Back Up Ring **		1
23	JSJ3X-P23	O-ring **	16x2.4	1
24	JSJ3X-P24	Base		1
25	JSJ3X-P25	Piston Pump		1
26	JSJ3X-P26	Ball	4	1
27	JSJ3X-P27	Ball	6	1
28	JSJ3X-P28	Screw		1
29	JSJ3X-P29	Ball	4	1
30	JSJ3X-P30	Adapter		1
31	JSJ3X-P31	Spring		1
32	JSJ3X-P32	Ram		1
33	JSJ3X-P33	O-ring **	14x2.4	1
34	JSJ3X-P34	Washer		1
35	JSJ3X-P35	Back Up Ring		1
36	JSJ3X-P36	Spring		1
37	JSJ3X-P37	Ram		1
38	JSJ3X-P38	Back Up Ring **		1
39	JSJ3X-P39	O-ring **	50x2.4	1
40	JSJ3X-P40	Cylinder Gasket **		1
41	JSJ3X-P41	Spring		1
42	JSJ3X-P42	O-ring **	6x3	3
43	JSJ3X-P43	Ball	6	1
44	JSJ3X-P44	Spring		1
45	JSJ3X-P45	Back Up Ring **		2
46	JSJ3X-P46	Screw		1
47	JSJ3X-P47	Ball	6	1
48	JSJ3X-P48	Screw		1
49	JSJ3X-P49	Ball	3	1
50	JSJ3X-P50	Pin		1
	JSJ3S-SK	Seal Kit * (inclds parts marked with an "**")		
	JSJ3X-30	Power Unit Assembly (inclds: index numbers 2-50)		

\* Indicates normal stocked part. Other parts may be purchased on a special order basis only. Contact JET Equipment & Tools (1-800-274-6848) for details.