



SERVICE PARTS LIST

5 H.P. ALTERNATOR - 2000 WATTS

Catalog No. 4503

Starting Serial No. J-773284474

Specify Catalog and Serial No. when ordering parts

BUL. 54-00-2101

REVISED BUL.
54-00-2100

DATE
Nov. '78

WIRING INSTRUCTIONS
58-01-0951

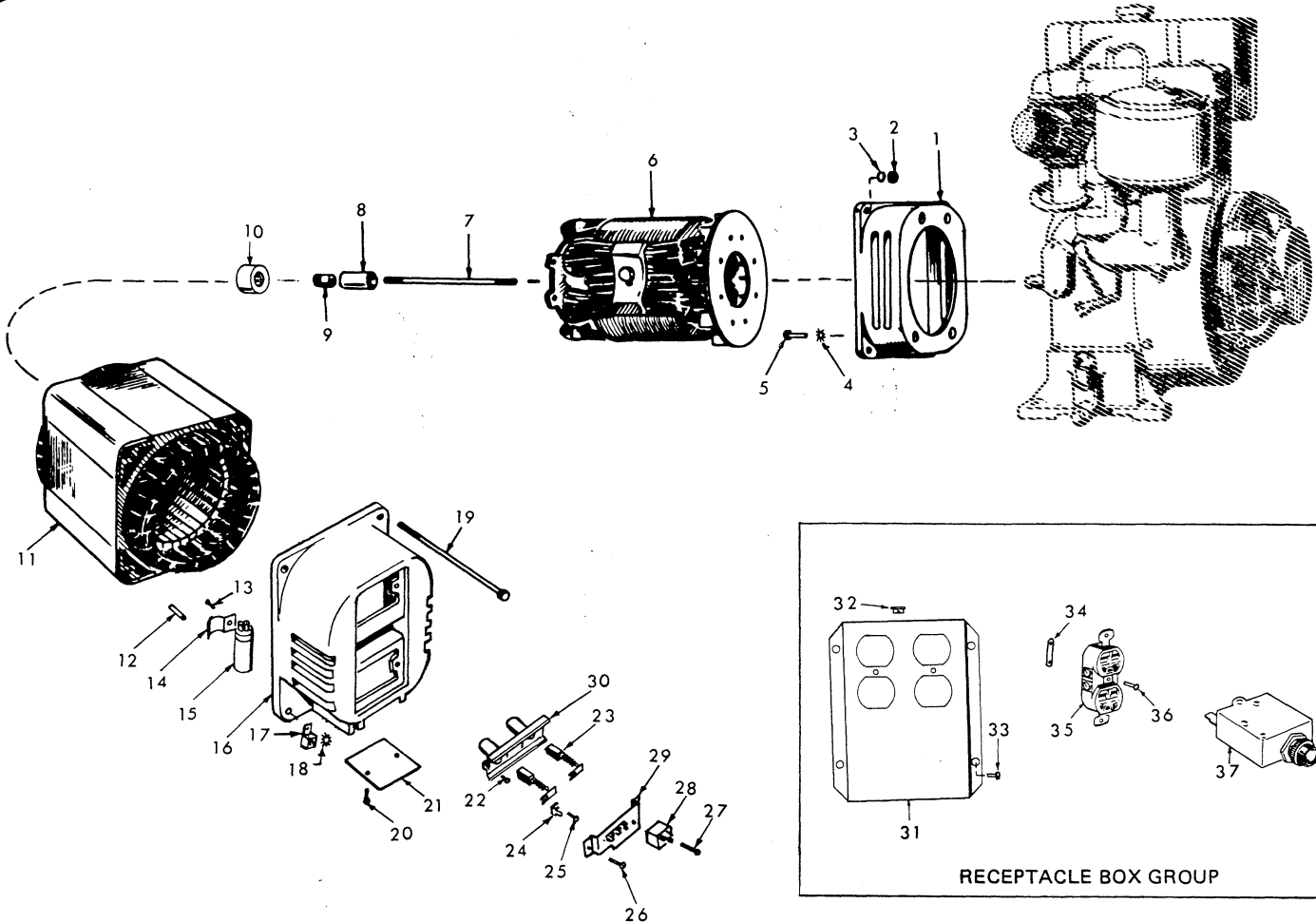


FIG.	PART NO.	DESCRIPTION OF PART	NO. REQ.
1	42-04-0485	Generator Adapter	(1)
2	06-55-1500	1/4-20 Hex. Hd. Nut	(4)
3	06-97-4000	1/4" Lock Washer	(4)
4	06-97-2650	5/16" Lock Washer	(4)
5	06-75-0345	5/16-24x3/4" Hex. Hd. Cap Screw	(4)
6	23-40-0435	Rotor Assembly	(1)
7	06-92-0400	5/16x5-9/16 Rotor Through Stud	(1)
8	45-22-0370	Shaft Sleeve	(1)
9	06-55-3780	5/16-18 Internal Wrenching Nut	(1)
10	02-50-4250	Roller Bearing	(1)
11	23-58-0560	Stator Assembly	(1)
12	06-65-0960	End Bell Locating Pin	(4)
13	06-81-5670	6x3/8 Pan Hd. Tapping Screw	(1)
14	42-36-0990	Capacitor Mounting Bracket	(1)
15	22-33-0230	Capacitor	(1)
16	42-25-0280	End Bell	(1)
17	23-74-0590	Solderless Terminal Lug	(1)
18	06-97-5600	1/4" Lock Washer	(1)
19	06-75-0260	1/4-20x4-1/2 Hex. Hd. Cap Screw	(4)

FIG.	PART NO.	DESCRIPTION OF PART	NO. REQ.
20	06-81-0030	10x3/8 Hex. Hd. Cap Screw	(2)
21	22-68-0160	Protection Cover	(1)
22	06-81-5670	6x3/8 Pan Hd. Tapping Screw	(2)
23	22-18-0510	Alternator Brush	(2)
24	23-74-0490	Terminal Tab	(1)
25	06-95-0120	6x1/2 Pan Hd. Tapping Screw	(2)
26	06-81-5670	6x3/8 Pan Hd. Tapping Screw	(2)
27	06-81-4568	8-32x5/8 Rd. Hd. Machine Screw	(1)
28	23-38-2781	Bridge Rectifier	(1)
29	23-74-0600	Bracket And Terminal Assembly	(1)
30	22-20-0310	Brush Guide	(1)
31	22-12-0145	Receptacle Box	(1)
32	42-42-0180	Hole Plug	(1)
33	06-75-2350	10-32x3/8 Hex. Hd. Cap Screw	(4)
34	45-56-0160	Ground Strap	(2)
35	22-33-0280	Duplex Output Receptacle	(2)
36	06-81-4569	6-32x3/8 Rd. Hd. Mach. Screw	(2)
37	22-36-0100	15 Amp Circuit Breaker	(2)

REFER TO REVERSE SIDE FOR ENGINE AND MOUNTING BASE

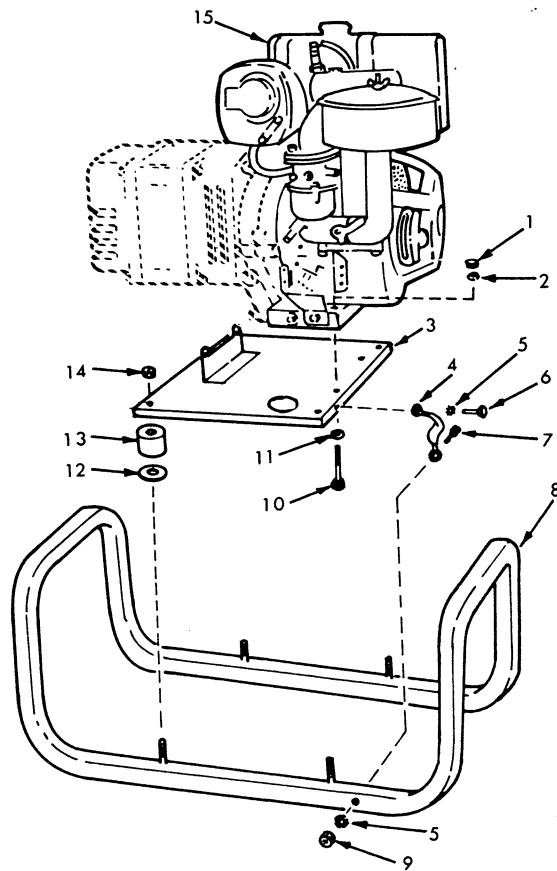


FIG.	PART NO.	DESCRIPTION OF PART	NO. REQ.
	1	06-55-2400 3/8-16 Hex Nut	(2)
	2	06-97-4125 3/8" Lock Washer	(2)
	3	42-20-0480 Mounting Base	(1)
	4	45-56-0171 Ground Strap	(1)
	5	06-97-5600 1/4" Lock Washer	(4)
	6	06-75-0075 1/4-20x1/2 Hex Hd. Cap Screw	(1)
	7	06-75-0210 1/4-20x1-1/2 Hex. Hd. Cap Screw	(1)
	8	43-40-0130 Carrying Frame	(1)
	9	06-55-1500 1/4-20 Hex Nut	(2)
	10	06-75-0535 3/8-16x1-1/4 Hex. Hd. Cap Screw	(2)
	11	45-88-5261 25/64 IDx1" ODx1/16" Flat Washer	(2)
	12	45-88-5265 25/64 IDx1-1/4 ODx.598 Flat Washer	(4)
	13	44-34-0080 Vibration Dampner	(4)
	14	06-57-5150 3/8-16 Self Locking Hex Nut	(4)
	15	— 8 HP Engine (For Components Refer To Engine Manufacturer)	(1)

06-75-0230
1-3/4" LC