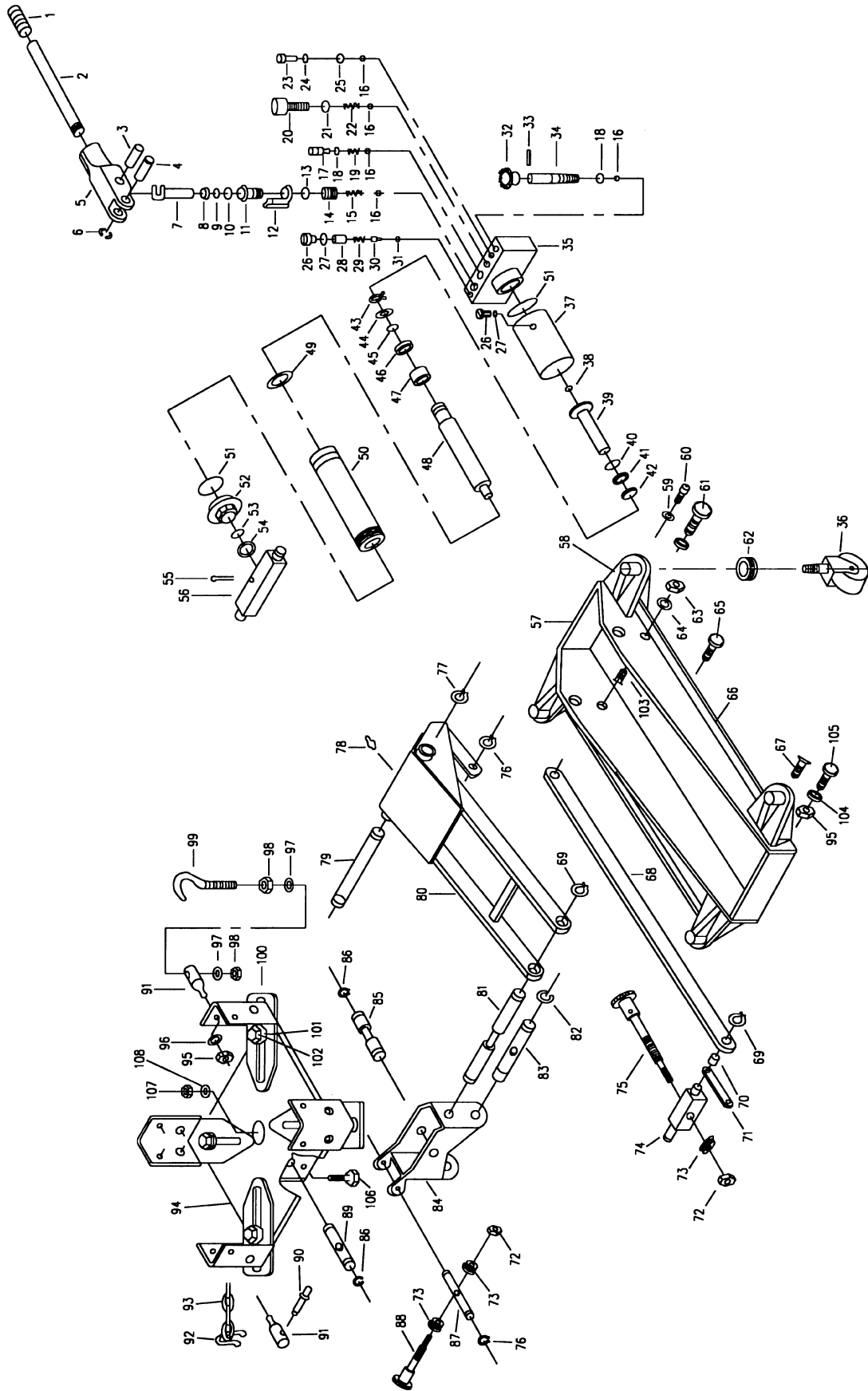


# JET TJ-2000X Parts Breakdown



## Parts List for JET TJ-2000X

Index No.	Part No.	Description	Size	Quantity
1	TJ2000X-1	Handle Grip		1
2	TJ2000X-2	Pump Handle		1
3	TJ2000X-3	Pin	10x30	1
4	TJ2000X-4	Pin	10x30	1
5	TJ2000X-5	Socket		1
6	TJ2000X-6	Snap Ring	9	1
7	TJ2000X-7	Plunger		1
8	TJ2000X-8	Wiper *		1
9	TJ2000X-9	Back-up Ring *	Φ20x1	1
10	TJ2000X-10	O-ring *	14x2.65	1
11	TJ2000X-11	Pump		1
12	TJ2000X-12	Pump Seat		1
13	TJ2000X-13	Seal Ring	Φ22x1.5	1
14	TJ2000X-14	Screw	M10x1	1
15	TJ2000X-15	Spring	6x25	1
16	TJ2000X-16	Ball	6	5
17	TJ2000X-17	Screw	M10x1	1
18	TJ2000X-18	O-ring *	7.5x2.65	2
19	TJ2000X-19	Spring	7x19.6	1
20	TJ2000X-20	Screw	M10x20	1
21	TJ2000X-21	Seal Ring	10	1
22	TJ2000X-22	Spring	6x25	1
23	TJ2000X-23	Screw	M12x20	1
24	TJ2000X-24	Seal Ring	Φ19x2	1
25	TJ2000X-25	Ball	9	1
26	TJ2000X-26	Screw	M10x1	2
27	TJ2000X-27	O-ring *	19x2	2
28	TJ2000X-28	Screw	M10x1	1
29	TJ2000X-29	Spring	7.5x19.7	1
30	TJ2000X-30	Ball Seat		1
31	TJ2000X-31	Ball	4	1
32	TJ2000X-32	Knob		1
33	TJ2000X-33	Pin	Φ2x20	1
34	TJ2000X-34	Release Rod		1
35	TJ2000X-35	Valve Block Assembly		1
36	TJ2000X-36	Caster Assembly		4
37	TJ2000X-37	Reservoir		1
38	TJ2000X-38	O-ring *	Φ19x2.65	1
39	TJ2000X-39	Ram Assembly		1
40	TJ2000X-40	Retaining Ring *	Φ27x1.25	1
41	TJ2000X-41	O-ring *	Φ28x3	1
42	TJ2000X-42	Y-ring *	Φ30x6.3	1
43	TJ2000X-43	Retaining Ring	32	1
44	TJ2000X-44	Washer	Φ38x1.5	1
45	TJ2000X-45	O-ring *	33.2x4.6	1
46	TJ2000X-46	Retaining O-ring	42x6	1
47	TJ2000X-47	Bushing	42x20	1
48	TJ2000X-48	Piston Rod		1
49	TJ2000X-49	O-ring *	50.5x2.4	1
50	TJ2000X-50	Cylinder		1
51	TJ2000X-51	Seal Ring *	76x2	2
52	TJ2000X-52	Cylinder Nut		1
53	TJ2000X-53	O-ring *	37.5x3.55	1

Index No.	Part No.	Description	Size	Quantity
54	TJ2000X-54	Wiper *	46x6	1
55	TJ2000X-55	Split Pin	5x45	1
56	TJ2000X-56	Link Rod		1
57	TJ2000X-57	Side Plate		1
58	TJ2000X-58RF	Caster Seat Right Front		1
	TJ2000X-58RR	Caster Seat Right Rear (pump end)		1
	TJ2000X-58LR	Caster Seat Left Rear (pump end)		1
	TJ2000X-58LF	Caster Seat Left Front		1
59	TJ2000X-59	Lock Washer	12	2
60	TJ2000X-60	Screw	M12x40	2
61	TJ2000X-61	Screw	M10	6
62	TJ2000X-62	Thrust Bearing	8205	4
63	TJ2000X-63	Nut	M16	2
64	TJ2000X-64	Lock Washer	16	2
65	TJ2000X-65	Screw	M8x12	4
66	TJ2000X-66	Slot		2
67	TJ2000X-67	Screw	M6x12	4
68	TJ2000X-68	Long Link Rod		2
69	TJ2000X-69	Snap Ring	16	4
70	TJ2000X-70	Spacer	22x15	2
71	TJ2000X-71	Short Link Rod		2
72	TJ2000X-72	Nut	M10	2
73	TJ2000X-73	Thrust Bearing	8100	3
74	TJ2000X-74	Guide Axle		1
75	TJ2000X-75	Screw Assy	M14X221	1
76	TJ2000X-76	Snap Ring	20	4
77	TJ2000X-77	Snap Ring	25	2
78	TJ2000X-78	Grease Fitting		1
79	TJ2000X-79	Shaft Arm		1
80	TJ2000X-80	Lifting Arm Assembly		1
81	TJ2000X-81	Axle		1
82	TJ2000X-82	Retaining Ring	18	2
83	TJ2000X-83	Axle	18x88	1
84	TJ2000X-84	Saddle Base		1
85	TJ2000X-85	Axle		1
86	TJ2000X-86	Snap Ring	18	4
87	TJ2000X-87	Axle		1
88	TJ2000X-88	Screw Assy		1
89	TJ2000X-89	Axle		1
90	TJ2000X-90	Chain Screw		2
91	TJ2000X-91	Hook Guide		4
92	TJ2000X-92	Chain Connector		2
93	TJ2000X-93	Chain		2
94	TJ2000X-94	Saddle		1
95	TJ2000X-95	Hex Nut	M10	10
96	TJ2000X-96	Washer	10	4
97	TJ2000X-97	Washer	8	8
98	TJ2000X-98	Nut	M8	8
99	TJ2000X-99	Chain Hook		1
100	TJ2000X-100	Containing Angle		4
101	TJ2000X-101	Washer	12	4
102	TJ2000X-102	Screw	M12x20	4
103	TJ2000X-103	Bolt	Φ22x40	2
104	TJ2000X-104	Lock Washer	10	12
105	TJ2000X-105	Screw	M10x35	6
106	TJ2000X-106	Hex Cap Screw		1

<b>Index No.</b>	<b>Part No.</b>	<b>Description</b>	<b>Size</b>	<b>Quantity</b>
107	TJ2000X-107	Hex Nut		1
108	TJ2000X-108	Washer		1
	TJ2000X-109	Piston Packing Set (incls. 40-48)		
	TJ2000X-PA	Pump Assembly (incls. 7-35, 37-54)		
	TJ2000X-PRK	Pump Repair Kit (incls. 8-10, 18, 27, 38, 40-42, 45, 49, 51, 53, 54)		
	* indicates included in pump repair kit			