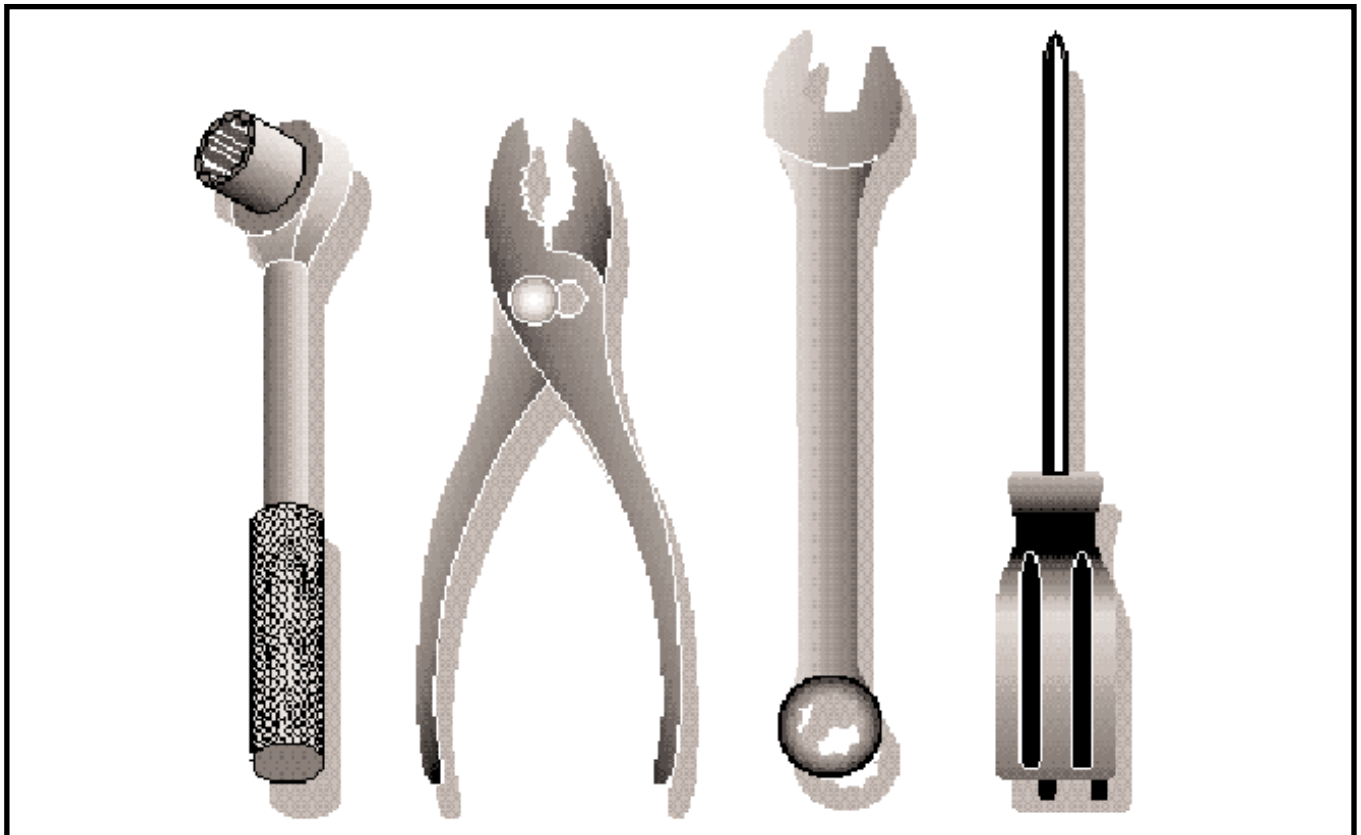


Front Scoop (531 30 71-68)

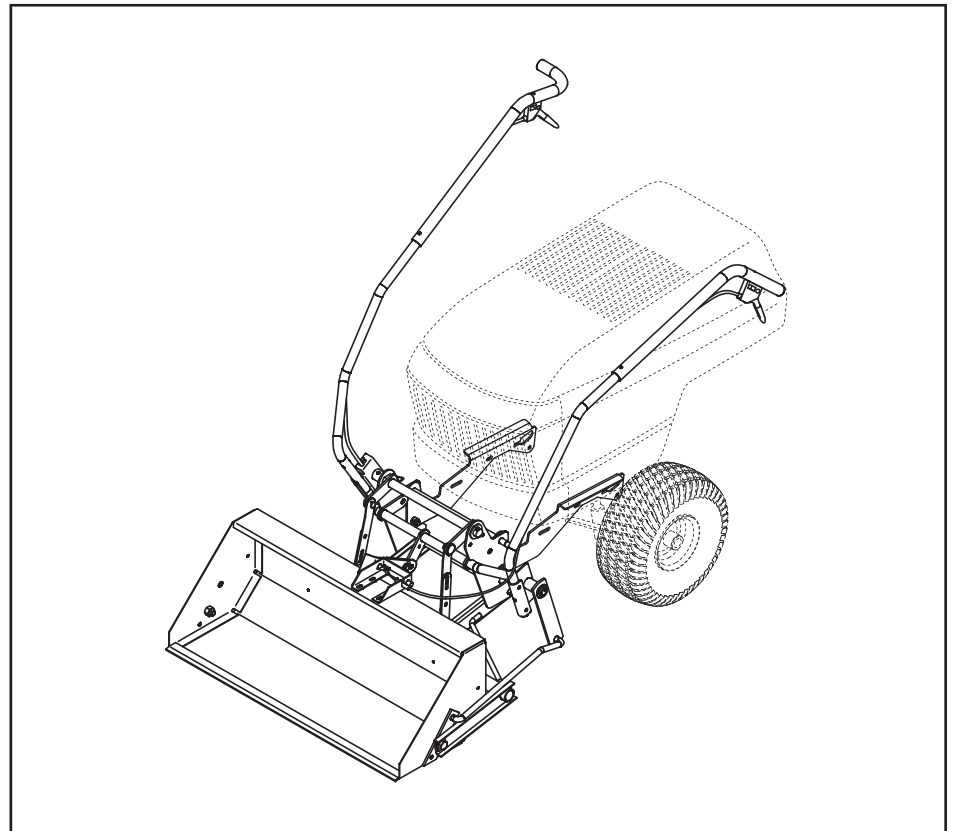
42 Inch Front Scoop (45-0403)





OWNERS MANUAL

**Model No.
45-0403**



FRONT END SCOOP

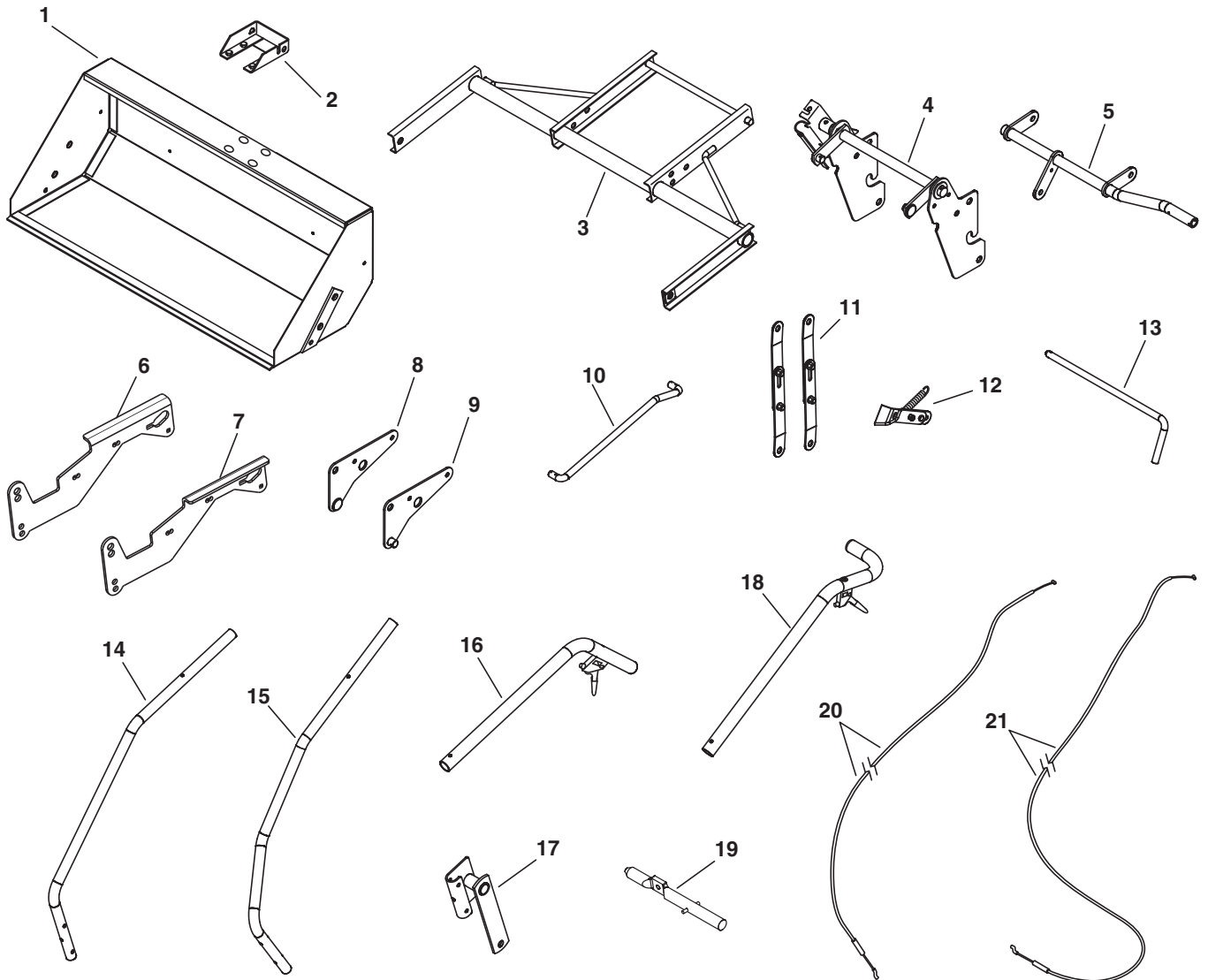
CAUTION:
Read Rules for
Safe Operation
and Instructions
Carefully

- **Safety**
- **Assembly**
- **Operating**
- **Maintenance**
- **Repair Parts**

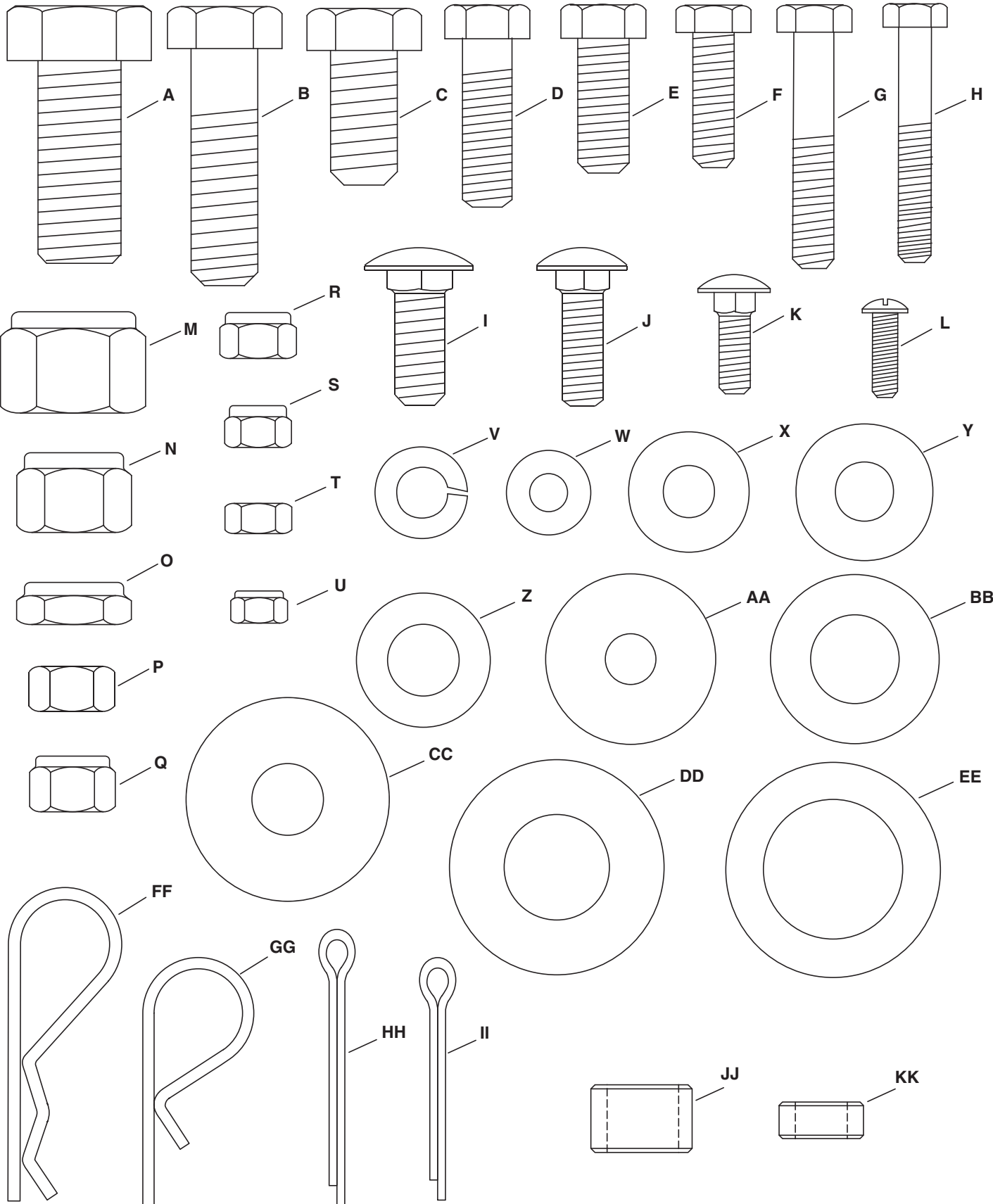
SpeedPart *the fastest way to purchase parts* www.speedpart.com

CARTON CONTENTS

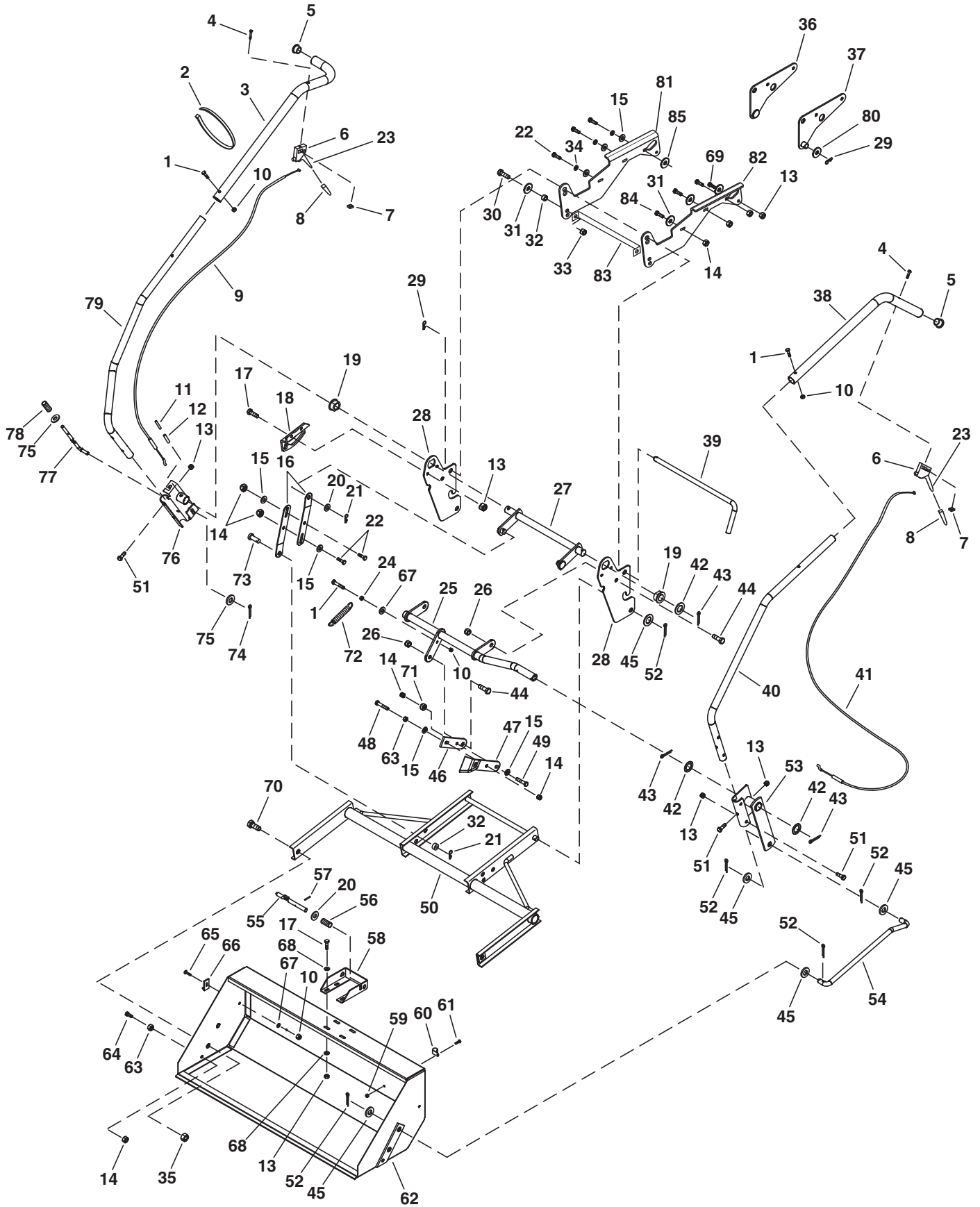
1. Bucket Assembly
2. Pin Stop Bracket
3. Lift Frame Assembly
4. Lift Bracket Assembly
5. Tilt Anchor Assembly
6. Right (Long) Side Plate
7. Left (Long) Side Plate
8. Right (Short) Side Plate
9. Left (Short) Side Plate
10. Dump Control Rod
11. Lift Strap Assembly (2)
12. Tilt Bracket Assembly
13. Attachment Rod
14. Dump Handle Tube
15. Lift Handle Tube
16. Dump Handle Tube Extension
17. Dump Pivot Bracket
18. Lift Handle Tube Extension
19. Dump Control Pin
20. Lift Cable (Short)
21. Dump Cable (Long)



FULL SIZE HARDWARE CHART



REPAIR PARTS FOR MODEL 45-0403 FRONT END SCOOP



REPAIR PARTS FOR MODEL 45-0403 FRONT END SCOOP

REF NO.	PART NO.	QTY	DESCRIPTION	REF NO.	PART NO.	QTY	DESCRIPTION
1	1509-69	3	Hex Bolt, 1/4-20 x 1-3/4" (Grade 5)	45	R19212016	6	Flat Washer, 5/8" x 1-1/4" x 16 Ga.
2	726-0178	6	Cable Tie	46	25362	1	Tilt Bracket Extension Strap
3	49265	1	Lift Handle Extension	47	64983	1	Tilt Bracket
4	49266	2	Oval Screw, 10-24 x 1-1/2"	48	HA6441	1	Hex Bolt, 3/8-16 x 2" (Grade 5)
5	47674	2	Plastic Plug, 1-1/4" O.D. Tube	49	41576	1	Hex Bolt, 3/8-16 x 1-3/4" (Grade 5)
6	47554	2	Trigger Housing Assembly	50	64963	1	Lift Frame Assembly
7	712-0127	2	Square Nut, #10-24	51	43084	5	Hex Bolt, 5/16-18 x 1-3/4" (Grade 5)
8	47317	2	Grip, Black	52	43010	6	Cotter Pin, 1/8" x 1-1/4"
9	47555	1	Cable, Lift	53	64968	1	Dump Pivot Bracket
10	47189	5	Nylock Nut, 1/4"	54	49273	1	Dump Control Rod
11	47369	1	Roll Pin, 3/16" x 1-3/4"	55	49268	1	Dump Control Pin
12	47368	1	Roll Pin, 5/16" x 1-3/4"	56	48905	1	Compression Spring
13	47810	14	Nylock Nut, 5/16-18	57	46055	1	Spring Pin, 1/8" x 1"
14	HA21362	14	Nylock Nut, 3/8-16	58	25335	1	Pin Stop Bracket
15	43070	12	Flat Washer, 3/8"	59	47171	1	Nylock Nut, #10-32
16	25350	4	Lift Strap	60	HA23761	1	Hose Clamp
17	43063	7	Hex Bolt, 5/16-18 x 1" (Grade 5)	61	43346	1	Truss-Head Bolt #10-32 x 5/8"
18	25343	1	Lift Bracket	62	64962	1	Bucket Assembly
19	741-0192	2	Flange Bearing with Flats	63	43015	3	Hex Nut, 3/8-16
20	R19171616	4	Flat Washer, 1/2" x 1" (Small)	64	43087	2	Hex Bolt, 3/8-16 x 1-1/4" (Grade 5)
21	43055	4	Hairpin Cotter, 3/32" x 1.8"	65	44950	2	Carriage Bolt, 1/4-20 x 3/4" (Grade 5)
22	43001	10	Hex Bolt, 3/8-16 x 1" (Grade 5)	66	25331	2	Tilt Stop Bracket
23	63755	2	Trigger Assembly	67	736-0142	3	Flat Washer, 1/4"
24	43178	1	Hex Nut, 1/4-20	68	43081	8	Flat Washer, 5/16"
25	64964	1	Tilt Anchor Assembly	69	44326	2	Carriage Bolt, 5/16" x 1" (Grade 5)
26	48115	3	Nylock Jam Nut, 1/2-13	70	710-0367	2	Hex Bolt, 5/8-11 x 1-1/2" (Grade 5)
27	63675	1	Lift Arm Assembly	71	25408	1	Spacer, 3/8" I.D. x 7/8" O.D. x 3/8"
28	25510	2	Mounting Bracket		23625	1	Spacer, 3/8" I.D. x 5/8" O.D. x 1/4"
29	43343	3	Hairpin Cotter, 3/32" x 2-5/16"	72	43000	1	Extension Spring
30	R74780828	2	Hex Bolt 1/2-13 x 1-3/4" (Grade 5)	73	44062	2	Clevis Pin, 1/2" x 1"
31	R19172410	8	Flat Washer, 1/2" x 1-1/2" (Large)	74	142	1	Cotter Pin, 1/8" x 3/4"
32	24817	4	Spacer, 0.52" x 0.75" x 0.5"	75	R19131316	2	Flat Washer, 3/8" x 13/16" x 1/16"
33	712-3083	2	Nylock Nut, 1/2-13	76	63773	1	Index Bracket Assembly
34	43003	6	Lock Washer, 3/8"	77	48049	1	Index Rod
35	712-0261	2	Nylock Nut, 5/8-11	78	732-0306	1	Spring, Compression
36	63568	1	Right (Short) Side Plate	79	49264	1	Lift Handle Tube
37	63569	1	Left (Short) Side Plate	80	43009	2	Flat Washer, 3/4"
38	49270	1	Dump Handle Tube Extension	81	25562	1	Right (Long) Side Plate
39	47066	1	Attachment Rod	82	25563	1	Left (Long) Side Plate
40	49271	1	Dump Handle Tube	83	25722	1	Frame Brace
41	49483	1	Dump Control Cable	84	43350	6	Bolt, Carriage 3/8-16 x 1" (Grade 5)
42	43601	3	Washer, 1.59" x 1.032" x 0.60"	85	736-0235	2	Washer, .375" x 1.26" x .172"
43	43093	3	Cotter Pin, 1/8" x 1-1/2"		40121	1	Owner's Manual
44	710-0865	3	Hex Bolt, 1/2-13 x 1" (Grade 5)				

* Purchase Common Hardware Locally

SpeedPart *the fastest way to purchase parts* www.speedepart.com

REPAIR PARTS

Agri-Fab, Inc.
809 South Hamilton
Sullivan, IL. 61951
217-728-8388
www.agri-fab.com