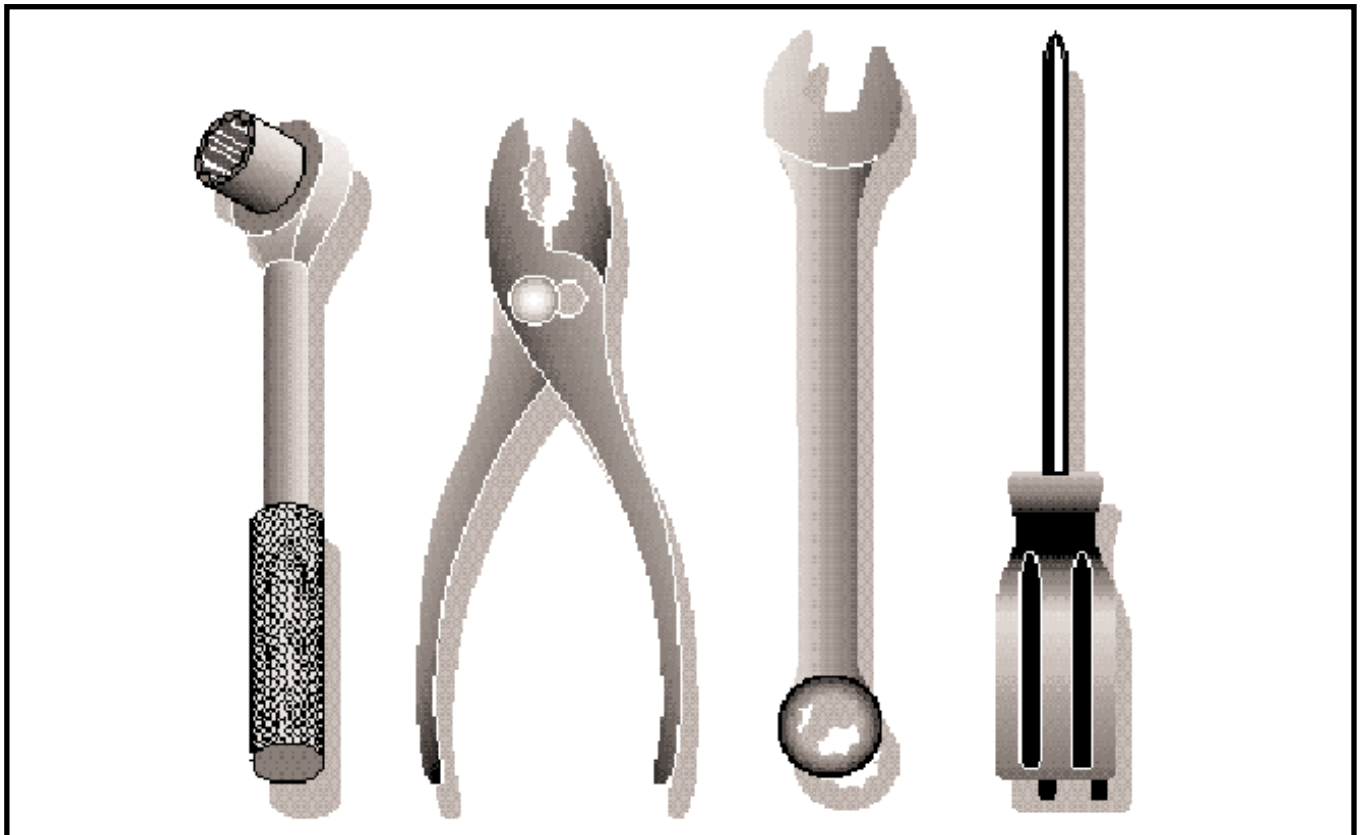
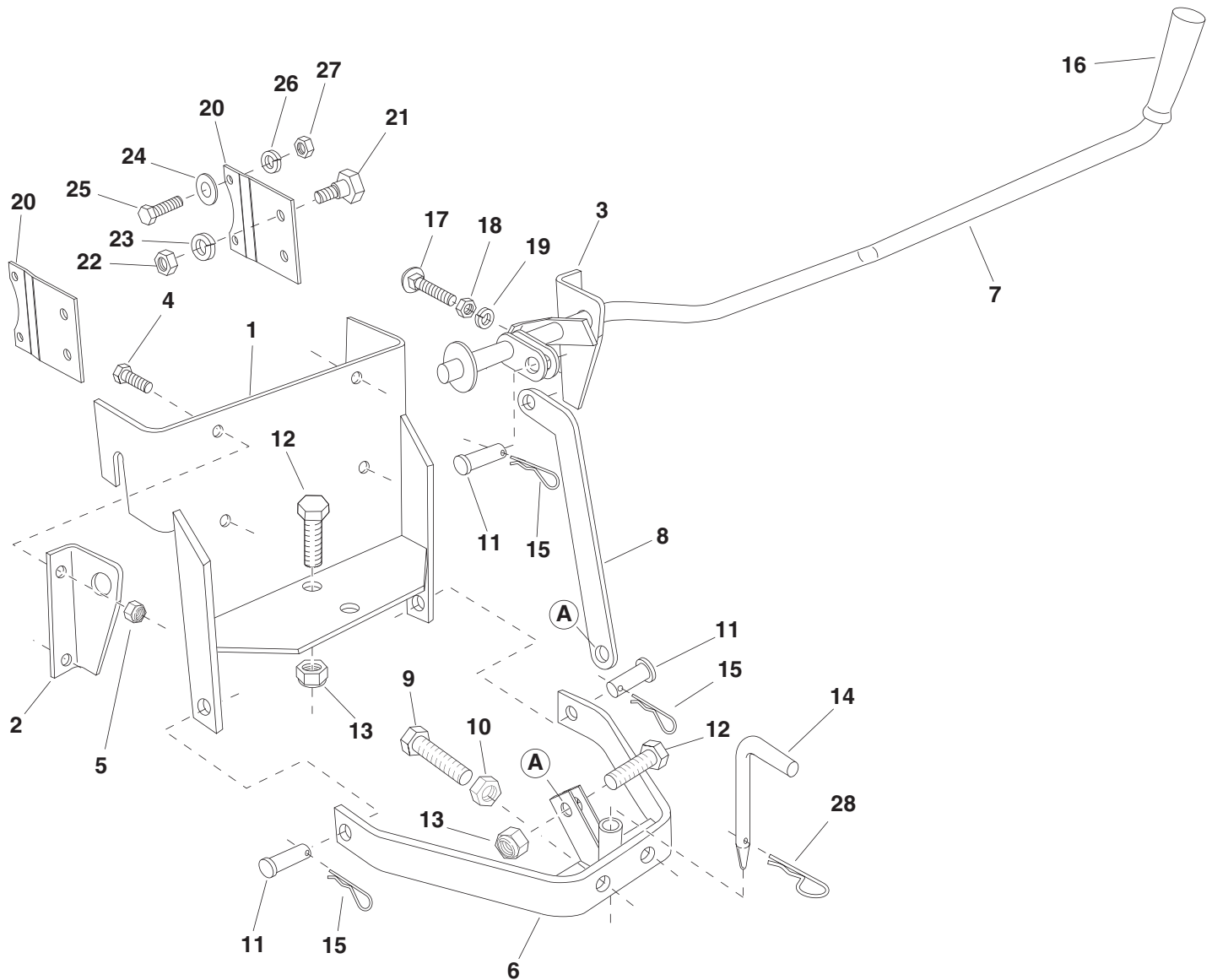


SH

Sleeve Hitch (45-0302)



REPAIR PARTS FOR MODEL 45-0302 SLEEVE HITCH



Ref	Part No.	Qty	Description	Ref	Part No.	Qty	Description
1	65086	1	Sleeve Hitch Frame	15	43343	3	Pin, Hair Cotter 3/32"
2	24723	1	Pivot Bracket, L.H.	16	46471	1	Grip, Plastic
3	24792	1	Pivot Bracket, R.H.	17	44215	1	Carriage Bolt, 5/16-18 x 1-3/4"
4	43001	4	Bolt, Hex 3/8-16 x 1"	18	43083	1	Hex Nut, 5/16-18
5	HA21362	4	Nylock Nut, 3/8-16	19	43086	1	Lock Washer, 5/16"
6	64098	1	Sleeve Hitch Lift Assembly	20	25203	2	Mounting Bracket
7	64982	1	Lift Lever Assembly	21	47363	2	Bolt, Shoulder
8	24732	1	Lifting Link Plate	22	HA120371	2	Hex Nut, 1/2-20
9	47947	2	Bolt, Hex 5/8-11 x 2"	23	43353	2	Lock Washer, 1/2"
10	712-0242	2	Hex Jam Nut, 5/8-11	24	43070	2	Flat Washer
11	HA3980	3	Clevis Pin, 5/8" x 1-3/4"	25	43087	4	Bolt, Hex 3/8-16 x 1-1/4"
12	47951	2	Bolt, Hex 5/8-11 x 1-3/4"	26	43003	4	Lock Washer, 3/8"
13	712-0261	2	Nylock Nut, 5/8-11	27	43015	4	Hex Nut, 3/8-16
14	47950	1	Pin, Sleeve Hitch	28	714-0117	1	Pin, Hair Cotter, 5/32"
					49412	1	Owner's Manual

SpeedPart the fastest way to purchase parts www.speedepart.com



Please do not return this product to the Store

For Missing Parts Or Questions on How to Assemble:

1. Call Agri-Fab at 1-800-448-9282 Option # 1
Monday through Friday, 7 am to 5 pm CST
2. Fax Agri-Fab at 217-728-2032 or email info@agri-fab.com

Missing part shipments are normally shipped from the Agri-Fab factory within 24 hours zip code 61951. 1 to 5 days delivery for UPS.

For Replacement and/or Repair Parts:

1. Call Agri-Fab at 1-800-448-9282 Option # 1
Monday through Friday, 7 am to 5 pm CST
2. Visit Agri-Fab's website at <http://www.agri-fab.com> and view illustrated parts breakdowns and parts listing and purchase parts via our <http://www.speedepart.com> site online.