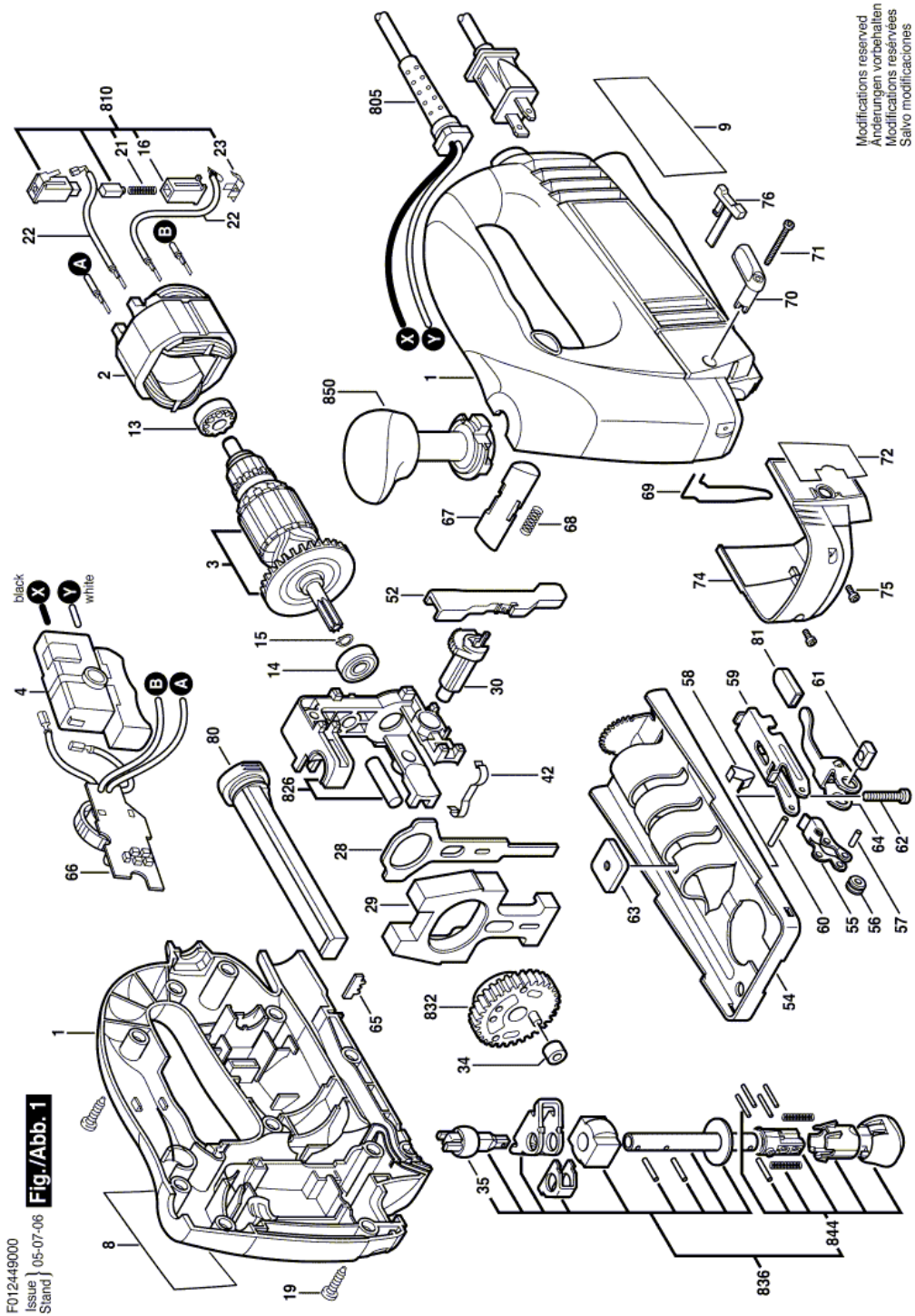


Jig Saw - F 012 449 001 - 4490

Item	Part Number	Description	Illustration	Price	Quantity	Price Group
1	2 610 913 987	Housing Set	1	-,-	1	-
2	1 619 P00 990	Field 120V	1	-,-	1	27
3	1 619 P00 986	Armature 120V	1	-,-	1	31
4	2 610 923 968	On-Off Switch	1	-,-	1	18
8	2 610 933 202	Nameplate	1	-,-	1	-
9	2 610 915 224	Manufacturer's nameplate	1	-,-	1	-
13	2 610 967 219	Bushing	1	-,-	1	-
14	2 610 917 489	Ball Bearing	1	-,-	1	22
15	2 610 931 268	Retaining snap ring	1	-,-	1	-
16	2 610 320 548	Brush Holder	1	-,-	2	13
19	2 603 490 022	Torx Oval-Head Screw 4x16	1	-,-	12	10
21	2 610 329 898	Strip brush	1	-,-	2	11
22	2 610 968 496	Cable 40 MM	1	-,-	2	-
23	2 610 329 896	Terminal	1	-,-	2	11
28	2 610 914 014	Pusher	1	-,-	1	13
29	2 610 913 999	Counter Weight	1	-,-	1	21
30	2 610 914 016	Shaft	1	-,-	1	11
34	2 610 914 010	Sintered-Metal Bushing	1	-,-	1	10
35	2 610 914 007	Sintered-Metal Bushing	1	-,-	1	10
42	2 610 914 011	Spring Clip	1	-,-	1	10
52	2 610 914 015	Lever Arm	1	-,-	1	-
54	2 610 916 603	Stand Foot	1	-,-	1	26
55	2 610 914 018	Support bracket	1	-,-	1	22
56	2 610 914 884	Guide Roller	1	-,-	1	10
57	2 610 913 996	Coiled Spring Pin	1	-,-	1	10
58	2 610 914 020	Leaf Spring	1	-,-	2	10
59	2 610 914 019	Holder Plate	1	-,-	1	16
60	2 610 914 022	Slotted Spring Pin	1	-,-	1	10
61	2 610 913 993	Journal	1	-,-	1	10
62	2 610 913 994	Bolt	1	-,-	1	-
63	2 610 913 995	Plate Nut	1	-,-	1	-
64	2 610 913 992	Lever	1	-,-	1	16
65	2 610 917 358	Locking Piece	1	-,-	1	-

Item	Part Number	Description	Illustration	Price	Quantity	Price Group
66	2 610 933 203	Printed-Board Assembly	1	-,-	1	30
67	2 610 913 986	Sia-Interlock Switch Lock	1	-,-	1	-
68	1 619 X01 041	Button Spring	1	-,-	1	10
69	2 610 912 487	Protection	1	-,-	1	11
70	2 610 914 017	Lever	1	-,-	1	-
71	2 603 490 019	Torx Oval-Head Screw 3x30	1	-,-	1	10
72	2 610 915 225	Label	1	-,-	1	-
74	2 610 933 164	Decorative Cover	1	-,-	1	-
75	2 603 490 017	Torx Oval-Head Screw 3x10	1	-,-	2	10
76	2 610 913 988	Selector Switch	1	-,-	1	-
80	2 610 915 110	Cover	1	-,-	1	-
81	2 610 917 102	Protective Cap	1	-,-	1	10
805	1 619 X00 506	Power supply cord	1	-,-	1	-
810	2 610 917 266	Carbon-Brush Set	1	-,-	1	21
826	2 610 917 218	Bearing Plate	1	-,-	1	-
832	2 610 917 219	Gear	1	-,-	1	27
836	2 610 917 220	Plunger Bar	1	-,-	1	30
844	2 610 917 221	Blade Holder	1	-,-	1	-
850	2 610 917 222	Knob	1	-,-	1	20

Illustration - Type E



Modifications reserved
Änderungen vorbehalten
Modificaciones reservadas
Salvo modificaciones

Information subject to change without further notice.