

Item	Part Number	Description	Illustration	Price	Quantity	Price Group	
1	2 610 012 982	Gear Housing		2	-,-	1	-
2	2 610 358 922	Needle-Roller Bearing		2	-,-	1	24
3	2 610 012 984	Woodruff Key		2	-,-	1	10
4	2 610 012 985	Reduction Gear		2	-,-	1	26
5	2 610 358 916	Spring retaining ring		2	-,-	1	11
6	2 610 012 987	Ball Bearing		2	-,-	1	-
7	2 610 012 988	Bearing Housing		2	-,-	1	-
8	2 610 012 989	Bearing cover		2	-,-	1	-
9	2 610 012 990	Output Shaft		2	-,-	1	-
10	2 610 012 991	Attachment Screw		2	-,-	3	-
11	2 610 012 992	Ball Bearing		2	-,-	1	-
14	2 610 013 612	Armature With Fan		2	-,-	1	-
15	2 610 015 747	Ball Bearing		2	-,-	1	26
16	2 610 012 997	Baffle		2	-,-	1	-
17	2 610 012 998	Hexagon Bolt		2	-,-	2	-
18	2 610 012 999	Stator		2	-,-	1	-
19	2 610 013 000	Motor Housing		2	-,-	1	-
20	2 610 911 901	Self-locking nut		1	-,-	10	11
21	2 610 911 569	Insert		2	-,-	2	13
22	2 610 013 003	Brush Holder		2	-,-	2	20
24	2 610 955 233	Brush-Cover		2	-,-	2	11
25	2 610 013 006	Pan head screw		2	-,-	4	-
26	2 610 013 007	Plastic Nut		2	-,-	1	-
27	2 610 013 008	Adjusting Screw		2	-,-	1	-
28	2 610 013 009	Linear Carriage		2	-,-	1	-
29	2 610 013 010	Threaded Bar		2	-,-	1	-
30	2 610 013 011	Threaded Bar		2	-,-	1	-
31	2 610 013 012	Washer		2	-,-	4	-
32	2 610 013 013	Hex Socket Head Cap Screw		2	-,-	3	-
33	2 610 013 014	Front Plate		2	-,-	1	-
34	2 610 013 015	Rear Plate		2	-,-	1	-
35	2 610 013 016	Countersunk-Head Screw		2	-,-	4	-
37	2 610 013 018	Bevel Gear		2	-,-	2	-

Item	Part Number	Description	Illustration	Price	Quantity	Price Group
	38 2 610 013 019	Pan head screw		2	-,-	2 -
	39 2 610 013 020	Mounting Plate		2	-,-	1 -
	40 2 610 013 021	Washer		2	-,-	1 -
	41 2 610 013 022	Hex Socket Head Cap Screw		2	-,-	2 -
	42 2 610 013 023	Shaft		2	-,-	1 -
	43 2 610 013 024	Flanged Bearing		2	-,-	1 -
	44 2 610 013 025	Retaining ring		2	-,-	1 -
	45 2 610 013 026	Safety Guard		2	-,-	1 -
	46 2 610 013 027	Hex Socket Head Cap Screw		2	-,-	3 -
	47 2 610 013 028	Retaining ring		2	-,-	2 -
	48 2 610 013 029	Support		1	-,-	1 -
	49 2 610 013 030	Spacer		2	-,-	2 -
	50 2 610 013 031	Bracket		2	-,-	1 -
	51 2 610 013 032	Bracket		2	-,-	1 -
	52 2 610 013 033	Trunnion		2	-,-	2 -
	53 2 610 013 034	Screw		2	-,-	2 -
	54 2 610 013 035	Table		3	-,-	1 -
	55 2 610 013 036	None		1	-,-	1 -
	56 2 610 013 037	Base		1	-,-	4 -
	57 2 610 013 038	On-Off Switch		1	-,-	1 -
	58 2 610 013 613	Cover Box		1	-,-	1 -
	59 2 610 013 614	Power supply cord		1	-,-	1 -
	60 2 610 013 041	Grommet		1	-,-	1 -
	61 2 610 358 842	Clamp		1	-,-	1 11
	62 2 610 013 043	Screw		1	-,-	2 -
	63 2 610 013 044	Clamping Plate		1	-,-	1 -
	64 2 610 013 045	Screw		1	-,-	6 -
	65 2 610 013 046	Cam		1	-,-	2 -
	66 2 610 013 047	Washer		1	-,-	4 -
	67 2 610 013 048	Screw		1	-,-	2 -
	68 2 610 013 049	Screw		1	-,-	4 -
	69 2 610 013 050	Washer		1	-,-	1 -
	70 2 610 013 051	Clamping Sleeve		1	-,-	1 -
	71 2 610 013 052	Angle Lever		1	-,-	1 -
	72 2 610 013 053	Set screw		1	-,-	1 10
	73 2 610 013 054	Spring		1	-,-	1 10
	74 2 610 013 055	Wheel		1	-,-	1 -
	75 2 610 013 056	Screw		1	-,-	2 -
	76 2 610 013 057	Crank Handle		1	-,-	1 -
	77 2 610 013 058	Screw		1	-,-	1 -
	78 2 610 013 059	Sealing cap		1	-,-	2 -
	79 2 610 013 060	Clamping Bolt		1	-,-	1 -
	80 2 610 996 880	Key		1	-,-	1 17
	81 2 610 013 062	Adjusting Wrench		1	-,-	1 -
	82 2 610 997 243	Spring retaining ring		1	-,-	1 -
	83 2 610 011 712	Workpiece Pusher		1	-,-	1 -
	84 2 610 911 896	Nut		N/A	-,-	1 10
	95 2 610 013 075	Set screw		3	-,-	1 -
	96 2 610 013 076	Screw		3	-,-	2 -
	148 2 610 013 122	Plastic Nut		3	-,-	2 -
	149 2 610 013 123	Pointer		3	-,-	1 -
	150 2 610 013 124	Screw		3	-,-	1 -
	157 2 610 013 131	Screw		3	-,-	1 -

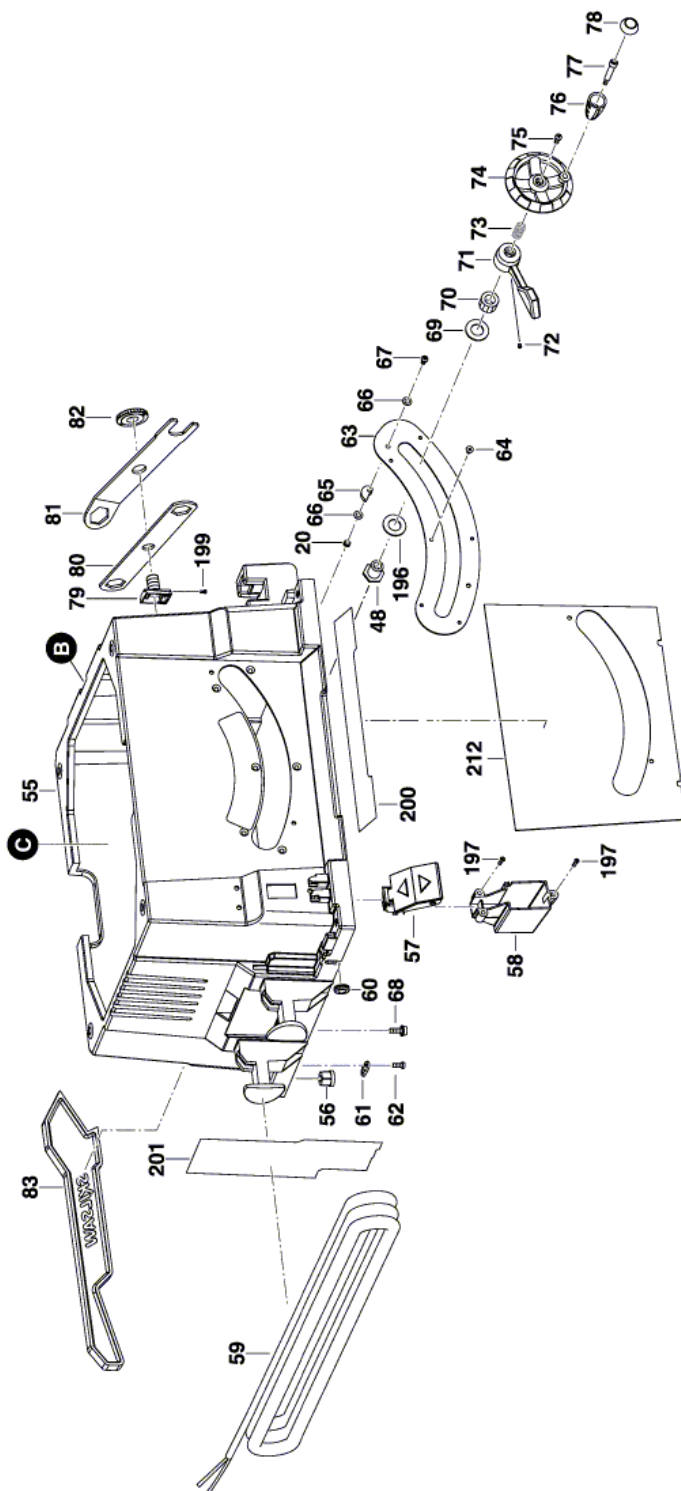
Item	Part Number	Description	Illustration	Price	Quantity	Price Group
158	2 610 013 132	Clamping Plate		3	-,-	1 -
159	2 610 013 133	Screw		2	-,-	2 -
160	2 610 013 134	index turning toolholder		3	-,-	1 -
161	2 610 013 135	Screw		3	-,-	2 -
163	2 610 013 137	Sliding Rod		3	-,-	1 -
164	2 610 013 138	Screw		3	-,-	5 -
165	2 610 011 709	Separating Table		3	-,-	1 -
166	2 610 013 139	Washer		3	-,-	1 -
168	2 610 013 141	Sleeve		3	-,-	2 -
169	2 610 013 142	Clamping Plate		3	-,-	2 -
170	2 610 013 143	Clamping Plate		3	-,-	2 -
171	2 610 013 144	Washer		3	-,-	7 -
172	2 610 013 145	Hexagon Bolt		3	-,-	2 -
173	2 610 013 146	Guide Rail		3	-,-	1 -
174	2 610 013 147	Sealing cap		3	-,-	1 -
175	2 610 013 148	Sealing cap		3	-,-	1 -
176	2 610 011 710	Guide Bracket		3	-,-	2 -
177	2 610 013 149	Hex Nut		3	-,-	4 -
178	2 610 013 150	Guide Rod		3	-,-	2 -
180	2 610 011 711	Workpiece support		3	-,-	1 -
181	2 610 013 152	Washer		3	-,-	2 -
182	2 610 013 153	Screw		3	-,-	2 -
183	2 610 013 154	Locating Washer		2	-,-	1 -
185	2 610 358 857	Washer		2	-,-	1 17
186	2 610 358 858	Nut		2	-,-	1 13
187	2 610 013 155	Pointer		2	-,-	1 -
189	2 610 013 157	Insert		3	-,-	1 -
190	2 610 013 158	Set screw		2	-,-	2 -
191	2 610 013 615	Grommet		2	-,-	1 -
192	2 610 013 160	Bearing Housing		2	-,-	1 -
193	2 610 013 161	Screw		2	-,-	1 -
194	2 610 013 162	Washer		2	-,-	2 10
195	2 610 013 163	Washer		2	-,-	1 -
196	2 610 013 164	Washer		1	-,-	1 -
197	2 610 013 165	Screw		1	-,-	3 -
199	2 610 013 167	Screw		1	-,-	1 -
200	2 610 011 097	Warning Label		1	-,-	1 -
201	2 610 011 096	Warning Label		1	-,-	1 -
205	2 610 013 171	Washer		3	-,-	1 -
206	2 610 013 172	Screw		3	-,-	2 -
207	2 610 013 173	Spring Lock Washer		2	-,-	7 -
208	2 610 011 313	Label		3	-,-	1 -
209	2 610 011 314	Label		3	-,-	1 -
210	2 610 013 174	Washer		3	-,-	4 -
211	2 610 013 616	Wire		2	-,-	1 -
212	2 610 013 586	Nameplate		1	-,-	1 -
213	2 610 013 176	Mounting Bracket		3	-,-	1 -
214	2 610 013 177	Holding Bracket		3	-,-	1 -
215	2 610 013 178	Screw		3	-,-	4 -
216	2 610 013 179	End stop		3	-,-	1 -
217	2 610 013 156	Screw		3	-,-	2 -
228	2 610 014 525	Washer		2	-,-	2 -
229	2 610 014 524	Screw		2	-,-	2 -

Item	Part Number	Description	Illustration	Price	Quantity	Price Group	
806	2 610 013 184	Protection		3	-,-	1	-
819	2 610 011 708	Guide		3	-,-	1	-
823	2 610 013 311	Carbon-Brush Set		2	-,-	1	-
841	2 610 011 707	Guide		3	-,-	1	-
851	2 610 013 686	Assembly		3	-,-	1	-
884	2 610 013 310	Protection		3	-,-	1	-
897	2 610 013 185	Protection		3	-,-	1	-

F 012 341 006

Stand }  
Issue }

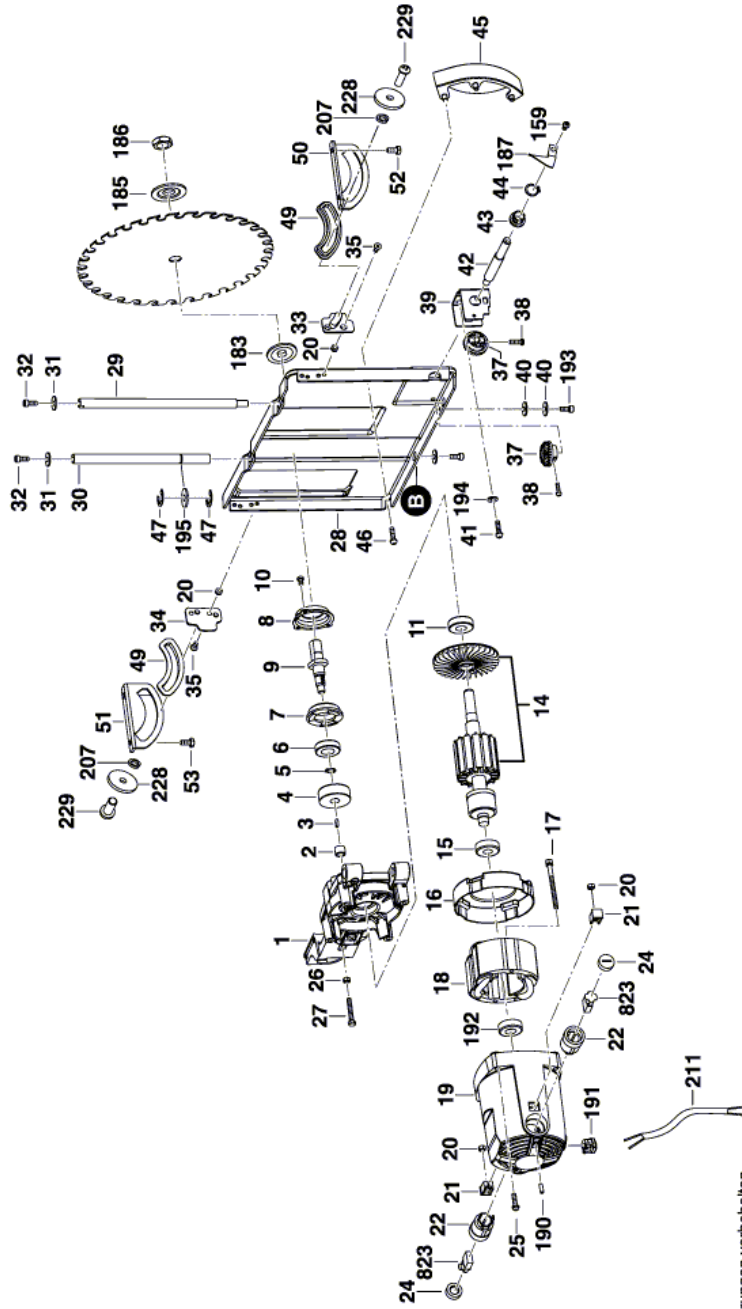
10-06-28 **Fig./Abb. 1**



Änderungen vorbehalten  
Modifications reserved  
Modificacions reserves  
Salvo modificaciones

F 012 341 006  
 Stand } 10-06  
 Issue } 10-09-23

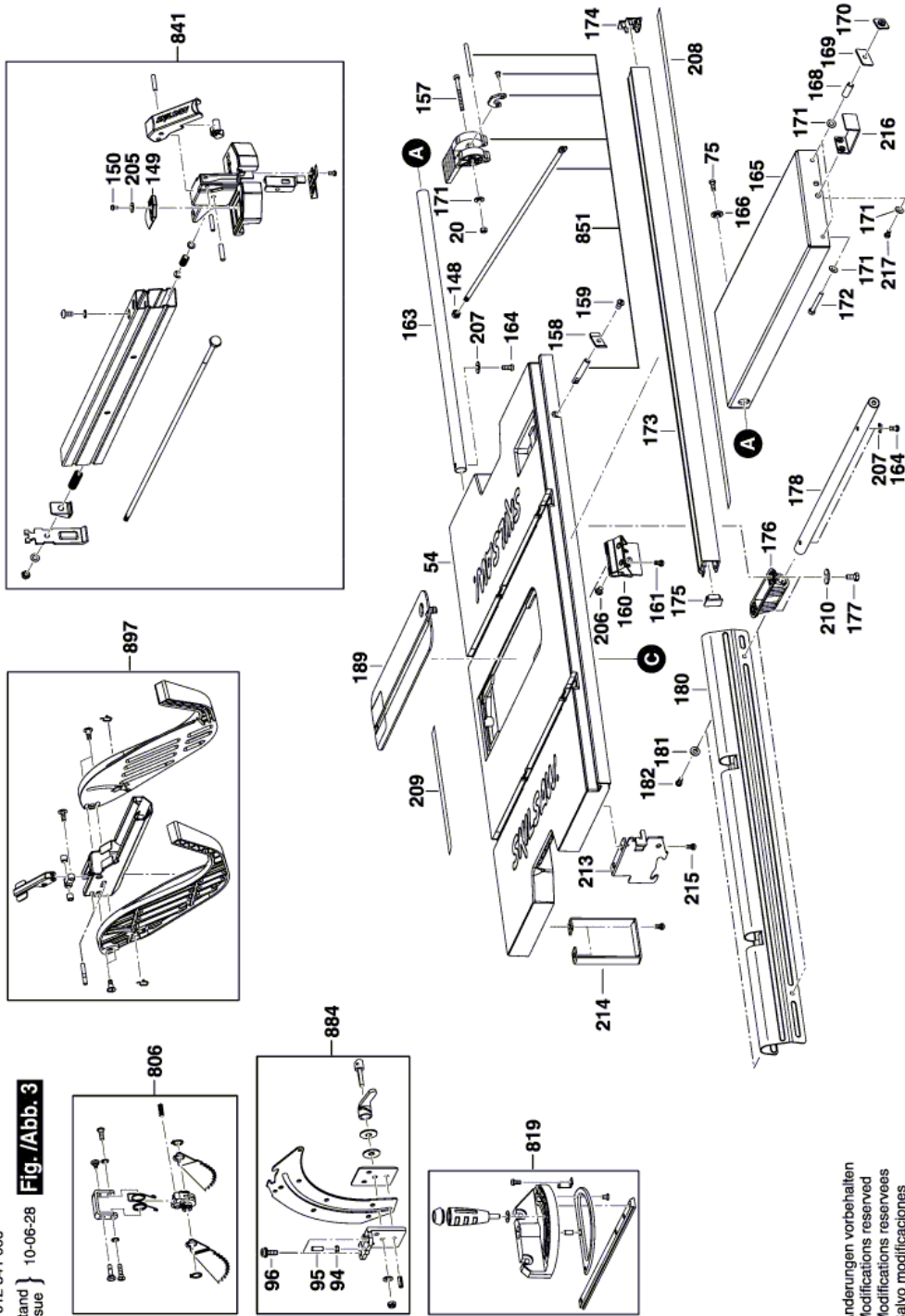
**Fig./Abb. 2**



Anderungen vorbehalten  
 Modifications reserved  
 Modifications reserves  
 Salvo modificaciones

F 012 341 006

Stand Issue } 10-06-28 **Fig./Abb. 3**



Anderungen vorbehalten  
Modifications reserved  
Modifications reserves  
Salvo modificaciones

Information subject to change without further notice.