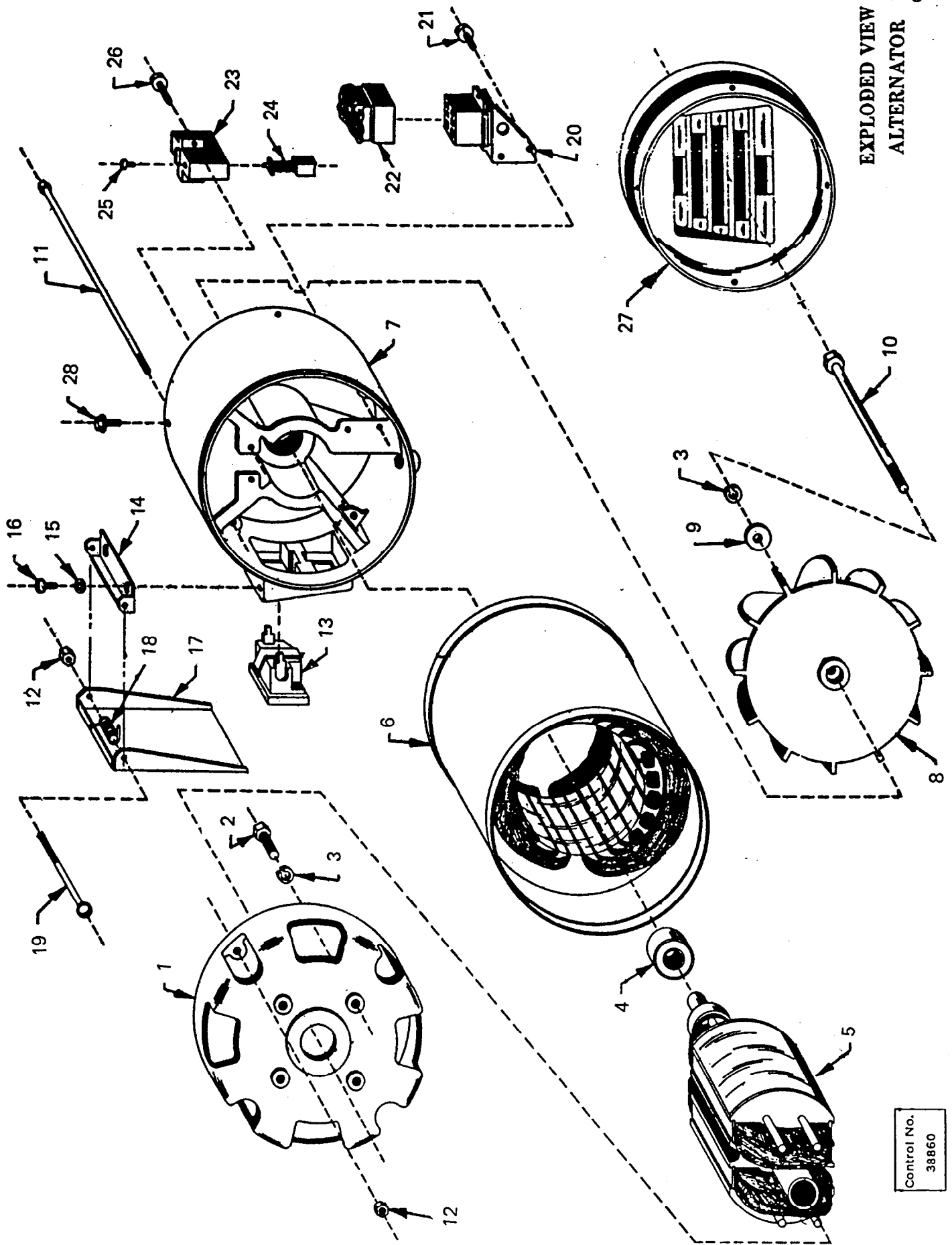


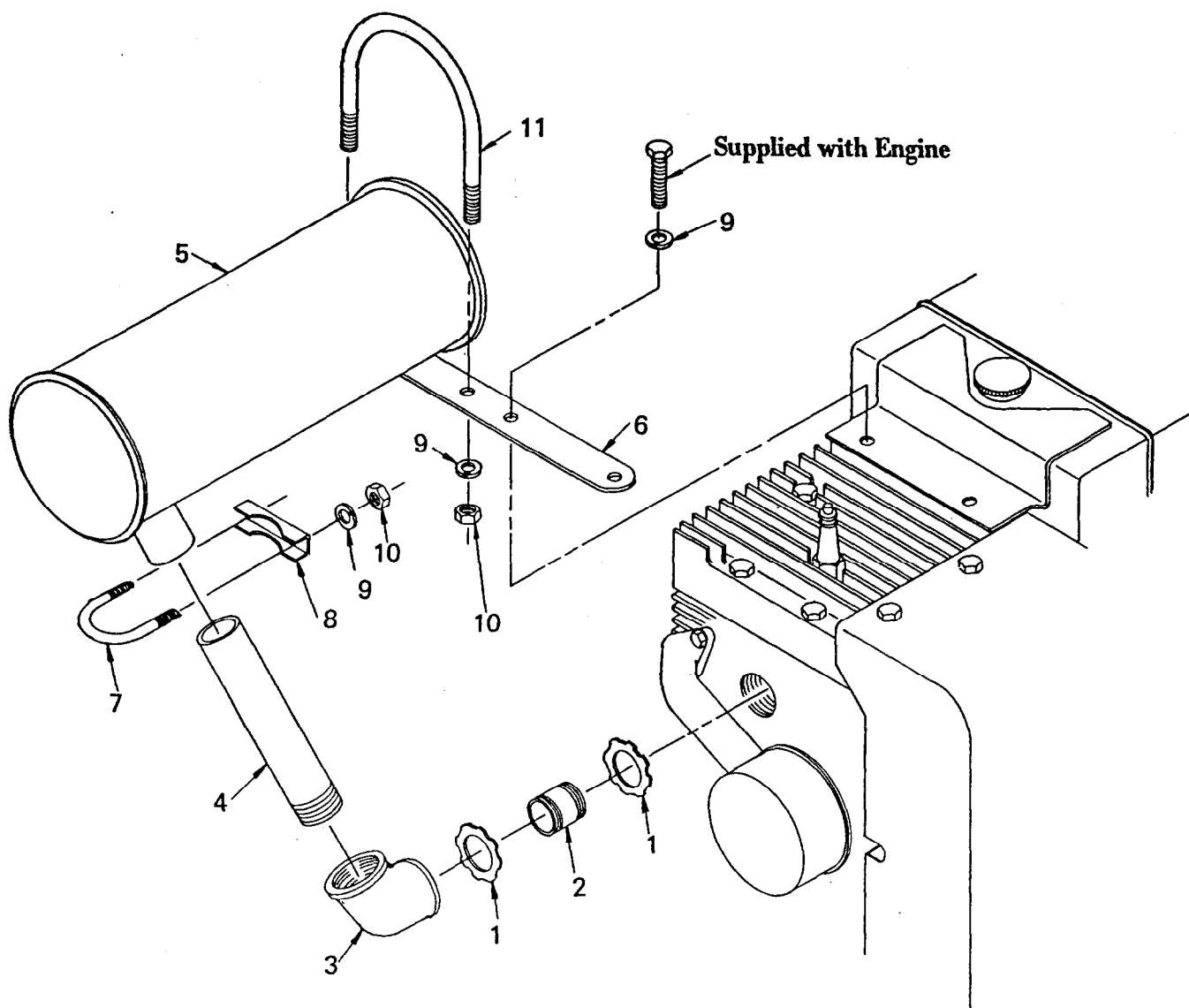
ALTERNATOR



Control No.
38860

Item	Part No.	Req'd	Description
1	42-04-0470	1	Adapter Casting
2	06-75-0349	4	Hex. Hd. Cpse.
3	06-97-4100	5	Lockwasher
4	02-04-1545	1	Bearing
5	23-40-0410	1	Rotor Assembly
6	23-58-0460	1	Stator Assembly
7	45-60-0330	1	Rear Bearing Carrier
8	22-84-0400	1	Fan
9	45-88-7216	2	1/4" Wrought Flat Washer
10	06-75-0460	1	5/16-24 x 7-5/8" Lg.Stator Bolt
11	06-75-0065	4	10-32 x 7 1/2" Lg.Stator Bolt
12	06-57-3000	5	10-32 Lokut Hex Nut
13	23-33-0130	2	Parallel Blade Outlet
14	45-60-0060	1	Outlet Shield Support
15	06-97-0870	2	No. 10 Shakeproof Ext. Tooth
16	06-81-4650	2	10-32 x 3/8" Lg.Rd.Hd.Mach.Sc.
17	45-12-0180	1	Outlet Shield
18	40-50-7720	1	Spring
19	06-81-4688	1	10-32 x 2-3/4" Rd.Hd.Mach.Sc.
20	45-60-0200	1	Rectifier Support Assembly
21	06-81-0030	2	No. 10 x 3/8" Taptite
22	23-38-2550	1	Rectifier Assembly
23	22-20-0220	1	Brush Holder
24	22-18-0340	2	Brush Assembly
25	06-81-8650	2	6-32 x 1/4" Sims Sc.
26	06-81-3640	2	No. 8 x 5/8" Lg.Taptite Sc.
27	42-92-0340	1	Fan Cover
28	06-75-2400	3	No. 10 x 1/2" Lg.Taptite

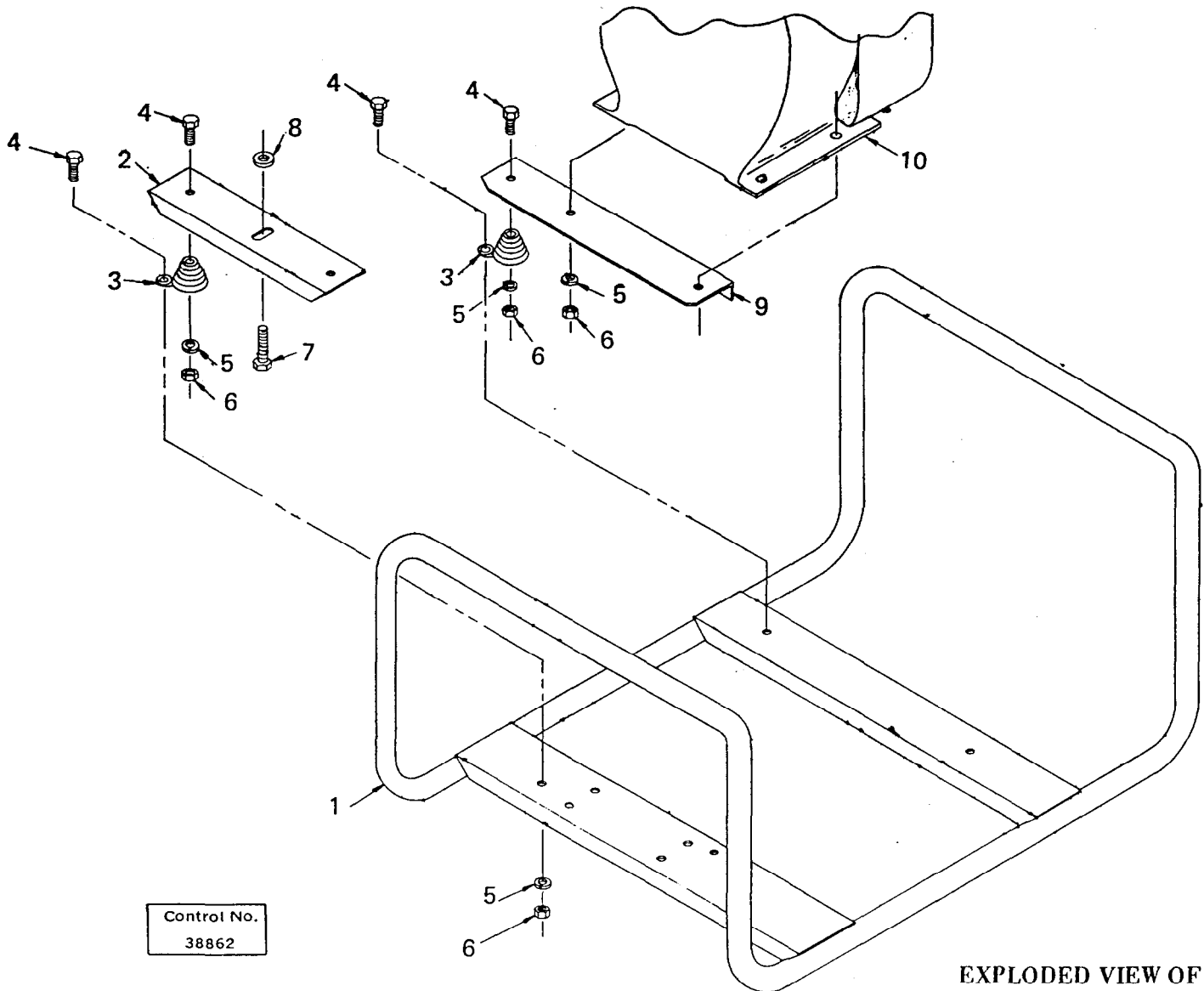
No.	Part No.	Req'd	Description
1	06-57-7475	2	3/4" Pipe Lock Nut
2	43-33-0430	1	3/4" x 2" Pipe Nipple (supplied with engine)
3	43-33-0440	1	3/4" 90° Elbow (supplied with engine)
4	43-33-0450	1	3/4" x 4" Half Nipple
5	43-31-0255	1	Muffler
6	45-60-0335	1	Muffler Support
7	42-68-0295	1	1-1/8" U Bolt
8	42-68-0300	1	1-1/8" Saddle
9	06-97-4100	6	5/16" Lockwashers
10	06-55-1980	4	5/16 - 18 Hex Nut
11	42-68-0305	1	U Bolt



EXPLODED VIEW OF
EXHAUST SYSTEM

Control No.
38861

No.	Part No.	Req'd	Description
1	42-20-0430	1	Mounting Base
2	42-36-0895	1	Alternator Support
3	40-50-6900	4	Spring
4	06-75-3975	6	5/16-18 x 1" Hex. Hd.Cpsc.
5	08-97-4100	8	5/16" Lockwasher
6	06-55-1980	8	5/16 - 18 Hex Nut
7	06-81-0035	1	5/16 x 1" Taptite
8	45-36-0430	1	Spacer
9	42-36-0900	1	Engine Support
10	43-20-1010	1	Engine



Control No.
38862

EXPLODED VIEW OF
MOUNTING BASE