

# SERVICE PARTS LIST

BUL. 54-00-0211

## ALTERNATOR BASE

REVISED BUL  
54-00-0210

DATE  
October '68

Catalog No. **4450**

Starting Serial No. **351-3049**

WIRING INSTR.

Both Model and Serial No. must be furnished to obtain correct parts.

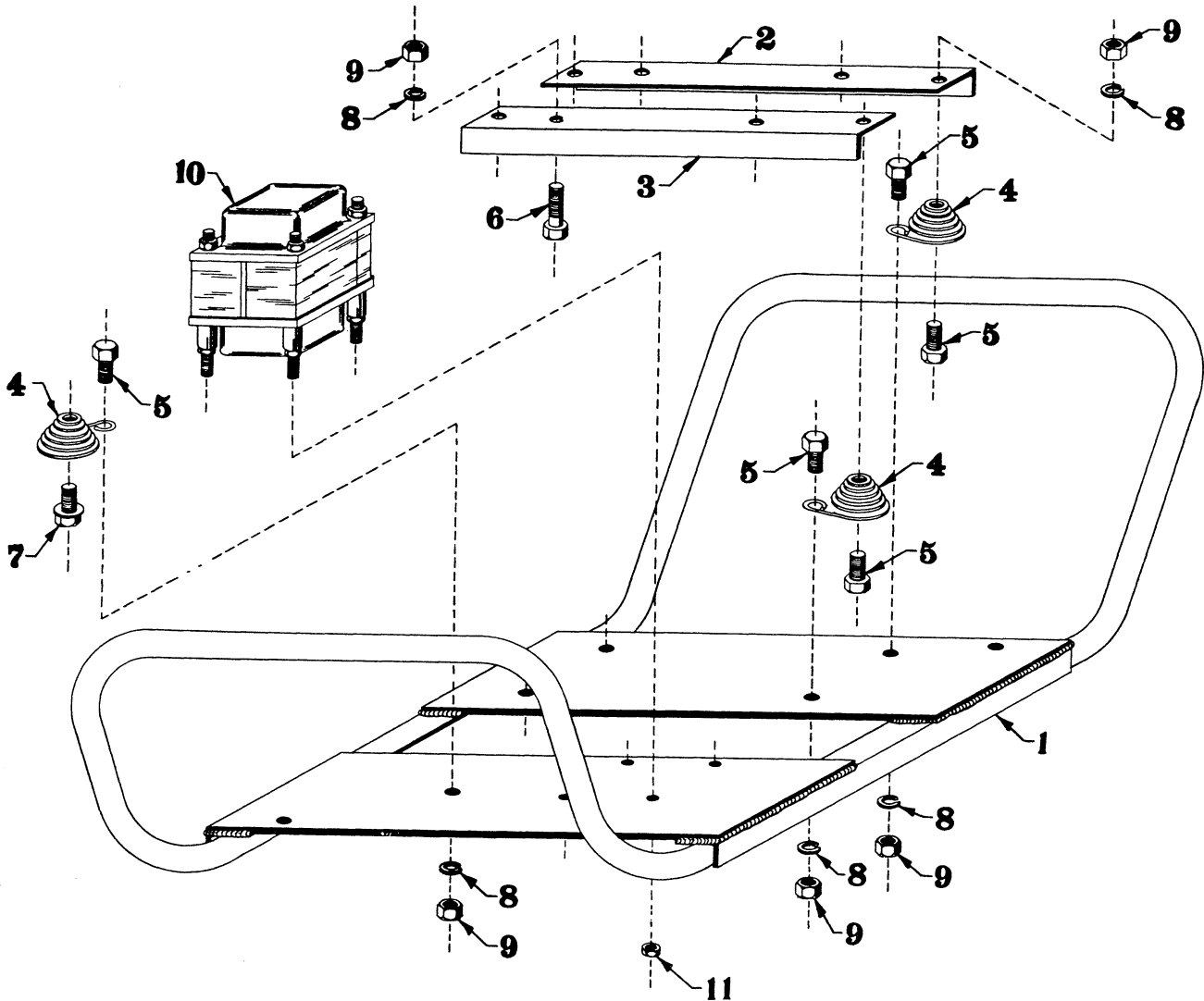


FIG.	PART NO.	DESCRIPTION OF PART	
1	42-20-0160	Mounting Base	
2	42-36-0470	Front Engine Mounting Base	
3	42-36-0500	Rear Engine Mounting Base	
4	40-50-6900	Spring	(5)
5	06-75-3950	5/16-18x3/4 Soc. Hd. Capscrew	(9)
6	06-75-4100	5/16-18x1-1/2 Soc. Hd. Capscrew	(4)
7	06-75-3950	5/16-18x3/4 Soc. Hd. Capscrew	
8	06-97-2650	5/16 Washer	(13)
9	06-55-1980	5/16-18 Hex Nut	(13)
10	23-81-0070	Transformer (4450)	
11	06-57-3000	10-32 Lock Nut	(4)



# SERVICE PARTS LIST

**BUL. 54-00-0201**

## 1750 WATT ALTERNATOR

REVISED BUL  
54-00-0200

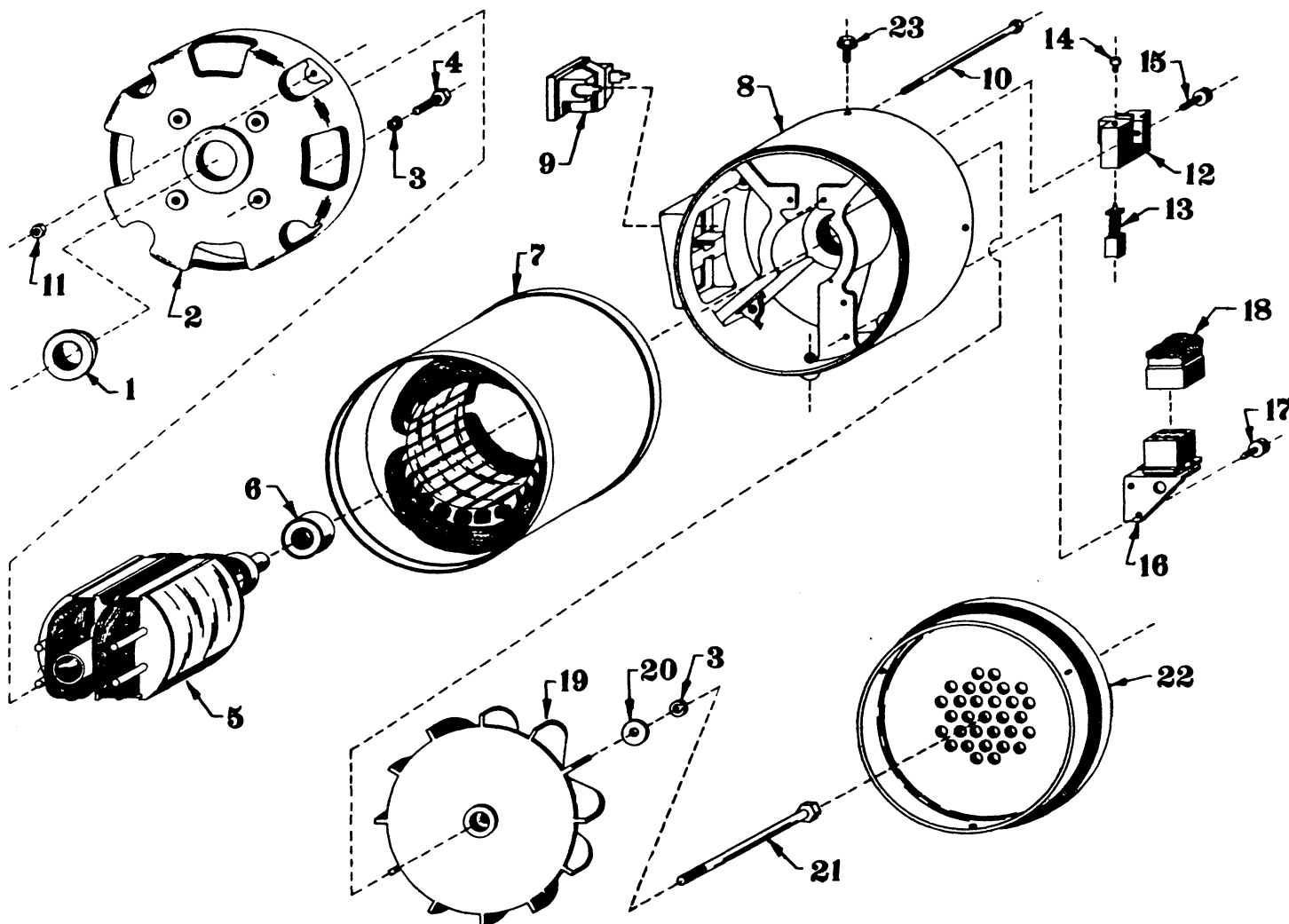
DATE  
Sept, '70

**Catalog No. 4450**

Starting  
Serial No. **351-3049**

WIRING INSTR.  
**54-00-0220**

**Both Model and Serial No. must be furnished to obtain correct parts.**



Item	Part No.	Description	Req'd	Item	Part No.	Description	Req'd
1	44-90-0220	Adaptor Ring	1	13	22-18-0340	Brush Assembly	2
2	42-04-0160	Adaptor Housing	1	14	06-81-8650	6-32x1/4 Sems Rd. Hd. Sc.	2
3	06-97-2650	5/16 Lockwasher	5	15	06-81-6200	8-32x5/8 Fil. Hd. Scr.	2
4	06-75-0349	5/16-24x3/4 Hex. Hd. Cpssc.	4	16	45-60-0190	Rectifier Support Assembly	1
5	23-40-0150	Rotor Assembly (1750 Watt)	1	17	06-81-4650	10-32x3/8 Rd. Hd. Scr.	2
6	02-04-1545	Bearing	1	18	23-38-2560	Rectifier Assembly	1
7	23-58-0160	Stator Assembly (1750 Watt)	1	★19	22-84-0400	Fan Assy.	1
★ 8	43-76-0161	Rear Housing (Incl. Item 22)	1	20	45-88-5261	1/4 Flat Washer	2
9	23-33-0130	115V Outlet	2	21	06-75-0450	5/16-24x5-7/8 Hex. Hd. Cpssc.	1
10	06-75-0050	10-32x6-1/8 Hex. Hd. Sc.	4	22	42-92-0161	Fan Cover	1
11	06-57-3000	10-32 Lock Nut	4	23	06-75-2400	10-32x1/2 Soc. Hd. Cap Scr.	3
12	22-20-0220	Brush Holder	1				