



BOSCH

Table Mitre Saw

4410 | 0 601 66E 222

Table of Content

Spare parts list.....	2
Illustration - Type.....	11

Spare parts list			
Item	Part Number	Description	Illustration
2	2 610 945 489	Field	1
3	2 610 915 752	Armature 115V	1
4	2 610 950 336	Switch	1
5	2 610 923 314	Cord	1
6	2 610 915 755	Cord guard	1
25	2 610 919 260	Saw Table	1
29	2 610 919 266	Bearing Pedestal	1
30	2 610 919 267	End cap	1
31	2 610 915 772	Handle	1
32	2 610 915 727	Handle	1
33	2 610 915 728	Bearing Pedestal	1
48	2 610 919 289	Pointer	1
56	2 610 919 286	Support Plate	1
57	2 610 009 612	Knob	1
58	2 610 919 285	Linkage	1
59	2 610 915 708	Holding Fixture	1
60	2 610 919 569	Leaf Spring	1
61	2 610 915 710	Cover	1
62	2 610 915 711	Lever	1
63	2 610 919 291	Bracket	1
64	2 610 919 270	Cam	1
65	2 610 915 714	Knob	1
66	2 610 915 715	Bracket	1
68	2 610 915 717	Bracket	1
72	2 610 919 274	Locking Lever	1
74	2 610 919 290	Rod	1
76	2 610 919 271	Cam Ring	1
82	2 610 915 690	Retaining Plate	1
83	2 610 915 691	Cover	1
84	2 610 919 288	Pointer	1
85	2 610 919 283	Pointer	1
86	2 610 915 694	Cable Cleat	1
88	2 610 921 478	Scale Plate	1
89	2 610 919 574	Stop Block	1
93	2 610 915 701	Retaining Plate	1

Spare parts list

Item	Part Number	Description	Illustration
97	2 610 916 459	Guide Bracket	1
98	2 610 916 460	Bushing	1
99	2 610 921 843	Screw	1
102	2 610 919 580	Shaft old L=127mm	1
103	2 610 915 759	Detent Pin	1
104	2 610 915 760	Sliding Bearing	1
105	2 610 916 792	Sliding Rail	1
106	2 610 916 793	Sliding Rail	1
107	2 610 922 577	Torsion Spring	1
108	2 610 916 795	Sleeve	1
109	2 610 916 796	Shaft	1
120	2 610 916 807	Guide Plate	1
123	2 610 916 810	Detent Pin	1
124	1 609 902 678	Lever Shaft	1
125	2 610 916 812	Label	1
129	2 610 911 907	Screw and washer assembly	1
135	2 610 921 469	Rod	1
137	2 610 911 599	Plain Washer	1
141	2 610 998 572	Screw	1
144	2 610 911 896	Nut	1
145	2 610 911 861	Hex Screw	1
147	2 610 911 899	Screw	1
149	2 610 911 918	Screw	1
150	2 610 911 901	Self-locking nut	1
151	2 610 347 092	Plain Washer	1
152	2 610 911 897	Screw	1
153	2 610 919 287	Retaining Plate	1
154	2 610 911 900	Screw	1
155	2 610 910 784	Screw	1
156	2 610 997 274	Pin	1
157	2 610 355 332	Square Nut	1
158	2 610 921 458	Washer	1
159	2 610 911 589	Felt Washer	1
160	2 610 919 102	Clamping Block	1
161	2 610 911 914	Set screw	1

Spare parts list

Item	Part Number	Description	Illustration
162	2 610 358 149	Nut	1
163	2 610 911 584	Rubber Pad	1
164	2 610 911 583	Knob	1
165	2 610 911 582	Spring	1
166	2 610 947 520	Bolt	1
167	2 610 911 576	Compression Spring	1
168	2 610 911 577	Retaining Pin	1
169	2 610 358 848	Screw	1
170	2 610 327 859	Screw 18,9 MM	1
193	2 610 913 862	Screw	1
194	2 610 910 786	Set screw	1
203	2 610 355 295	Screw	1
204	2 610 919 067	Compression Spring	1
205	2 610 919 068	Compression Spring	1
206	2 610 919 069	Spring Pin	1
207	2 610 911 873	Stop Screw	1
209	2 610 919 071	Stop Screw	1
211	2 610 919 072	Brake Plate	1
212	2 610 919 073	Brake Plate	1
214	2 615 297 331	Nut	1
215	2 610 948 208	Pvc Tube	1
216	2 610 919 075	Shoulder Screw	1
233	2 610 911 450	Washer	1
238	2 610 320 330	Screw	1
241	2 610 351 178	Hex Screw	1
245	2 610 358 519	Screw	1
253	2 610 917 098	Label	1
255	2 610 917 099	Label	1
256	2 610 917 096	Label	1
257	2 610 920 807	Adhesive Label	1
262	2 610 911 933	Connector	1
263	2 610 921 461	Wire	1
264	2 610 921 462	Wire	1
265	2 610 921 463	Wire	1
266	2 610 910 791	Nut	1

Spare parts list

Item	Part Number	Description	Illustration
267	2 610 910 792	Washer	1
268	2 610 004 578	Plain Washer	1
269	2 610 919 296	Housing	1
270	2 610 919 297	Locking Piece	1
272	2 610 921 470	Screw	1
273	2 610 921 471	Screw	1
274	2 610 919 301	Plate	1
275	2 610 921 472	Screw	1
276	2 610 921 475	Retaining snap ring	1
277	2 610 919 573	Plate	1
278	2 610 919 300	Latch	1
279	2 610 921 476	Spring	1
280	2 610 919 575	Bracket	1
281	2 610 921 477	Spring	1
282	2 610 921 479	Insulating Sleeve	1
288	2 610 921 484	Connection Block	1
291	2 610 919 282	Plain Washer	1
292	2 610 919 281	Washer	1
293	2 610 919 272	Housing Cover old	1
295	2 610 919 273	Nut old	1
296	2 610 921 459	Nut	1
297	2 610 921 460	Knob old	1
298	2 610 919 572	Bushing	1
299	2 610 919 298	Screw	1
301	2 610 921 466	Screw	1
302	2 610 921 467	Spacer	1
303	2 610 910 013	Washer	1
306	2 610 920 808	Label	1
307	2 610 920 809	Label	1
309	2 610 002 585	Washer	1
320	2 610 906 037	Bolt	1
20	2 610 920 805	Label	2
22	2 610 919 259	Base	2
23	2 610 919 261	Extension Stand	2
24	2 610 919 262	Extension Stand	2

Spare parts list

Item	Part Number	Description	Illustration
26	2 610 919 263	Support	2
27	2 610 919 264	Support	2
28	2 610 919 265	Support	2
67	2 610 919 570	Cable Clip	2
78	1 609 902 518	Stop Plate	2
79	2 610 915 687	Knob	2
80	2 610 915 688	Locking Lever	2
81	2 610 915 689	Locking Lever	2
90	2 610 915 698	Wrench Socket	2
91	2 610 915 699	Rubber Bushing	2
95	2 610 911 863	Sliding Plate	2
113	2 610 920 804	Label	2
116	2 610 916 803	Extension Shaft	2
126	2 610 911 886	Self-locking nut	2
127	2 610 911 887	Plain Washer	2
128	2 610 911 868	Spring Washer	2
143	2 615 297 323	Screw	2
146	2 610 356 437	Set screw	2
148	2 610 358 846	Rubber Bushing	2
191	2 610 355 277	Screw	2
192	2 610 015 011	Washer	2
195	2 610 919 060	Shoulder Screw	2
196	2 610 919 061	Compression Spring	2
197	2 610 926 010	Screw	2
198	2 610 926 011	Screw	2
199	2 610 912 556	Retaining snap ring	2
201	2 610 919 065	Screwdriver Bit	2
208	2 610 919 070	Shoulder Screw	2
249	2 610 917 658	Adjusting Wrench	2
250	2 610 006 436	Dust Bag	2
252	2 610 919 089	Quick-Clamping Device	2
254	2 610 911 658	Warning Plate	2
286	2 610 921 512	Double head engin wrench	2
287	2 610 921 483	Hexagon Socket Wrench	2
290	2 610 921 488	Cover	2

Spare parts list			
Item	Part Number	Description	Illustration
1	2 610 915 750	Motor Housing	3
7	2 610 921 465	Fastening Clamp	3
8	2 610 957 125	Nameplate	3
10	2 610 997 207	Carbon-Brush Set	3
13	2 610 911 928	Ball Bearing	3
14	2 610 911 927	Ball Bearing	3
16	2 610 915 761	Brush Holder	3
34	2 610 919 268	Gear Housing	3
35	2 610 927 691	Safety Cover	3
36	2 610 915 731	Intermediate Layer	3
37	2 610 915 732	Housing Cover	3
38	2 610 919 275	Housing Cover	3
39	2 610 915 734	Handle Cover	3
40	2 610 915 735	Bearing Pedestal	3
41	2 610 915 736	Bearing Pedestal	3
42	2 610 915 737	Bearing Pedestal	3
43	2 610 915 738	Bearing Pedestal	3
44	2 610 915 739	Trigger	3
45	2 610 915 740	Button	3
46	2 610 915 741	Button	3
47	2 610 915 742	Linkage part	3
49	2 610 915 744	Release Lever	3
50	2 610 915 745	Collar	3
51	2 610 915 746	Collar	3
52	2 610 915 747	Latch	3
53	2 610 915 748	Latch	3
54	2 610 949 175	Torsion Spring	3
55	2 610 915 704	Plate	3
69	2 610 927 693	Wheel Guard	3
70	2 610 915 719	Plate	3
71	2 610 919 284	Linkage	3
73	2 610 915 722	Baffle	3
75	2 610 915 724	Roller	3
77	2 610 915 726	Push-Button	3
92	2 610 915 700	Bearing Cover Plate	3

Spare parts list			
Item	Part Number	Description	Illustration
94	2 610 927 711	Gear Cover	3
100	2 610 916 462	Detent Pin	3
110	2 610 919 577	Locking Pin	3
111	2 610 916 798	Toothed Gear	3
112	2 610 924 725	Shaft	3
115	2 610 916 802	Brush-Cover Ø 22mm	3
117	2 610 916 804	Drive disk	3
118	2 610 921 197	Wide V-Belt	3
119	2 610 919 294	Pulley	3
121	2 610 933 125	Counter Shaft	3
122	2 610 916 809	Wedge	3
130	2 610 911 908	Set screw	3
131	2 610 911 937	Shim	3
132	2 610 911 909	Flange	3
134	2 610 924 286	Trunnion	3
136	2 610 911 598	Shoulder Screw	3
138	2 610 911 850	Spacer	3
139	2 610 911 872	Cable Clip	3
140	2 610 911 458	Screw	3
142	2 610 950 117	Screw	3
171	2 610 911 911	Shoulder Screw	3
172	2 610 911 921	Round Rubber	3
173	2 610 911 938	Ball Bearing	3
174	2 610 911 883	Shoulder Screw	3
175	2 610 911 906	Washer	3
176	2 610 911 570	Hex Nut	3
177	2 610 953 068	Plain Washer	3
178	2 610 990 521	Spring retaining ring	3
179	2 610 004 925	Screw	3
180	2 610 358 812	Bolt	3
181	2 610 355 325	Spring Washer	3
183	2 610 327 846	Ball Bearing	3
185	2 610 317 505	Tapping Screw	3
186	2 610 993 102	Woodruff Key	3
187	2 610 997 281	Spring retaining ring	3

Spare parts list			
Item	Part Number	Description	Illustration
188	2 610 029 674	Washer	3
189	2 610 996 948	Rubber Ring	3
190	2 610 358 922	Needle-Roller Bearing	3
210	2 610 320 304	Screw	3
217	2 610 919 076	Shoulder Screw	3
218	2 610 327 867	Screw	3
219	2 610 998 575	Screw	3
221	2 610 919 077	Compression Spring	3
222	2 610 919 078	Pad	3
223	2 610 919 079	Ball Bearing	3
224	2 610 919 080	Compression Spring	3
225	2 610 358 869	Retaining snap ring	3
226	2 610 919 571	Device cap	3
228	2 610 358 928	Screw	3
229	2 610 911 569	Insert	3
230	2 610 327 868	Nut	3
231	2 610 921 464	Sleeve	3
232	2 610 911 929	Screw	3
234	2 610 911 566	Bearing cover	3
235	2 610 318 812	Screw	3
236	2 610 919 083	Retaining snap ring	3
237	2 610 919 084	Screw	3
239	2 610 919 085	Compression Spring	3
240	2 610 915 162	Screw	3
242	2 610 945 488	Screw	3
243	2 610 919 086	Pin	3
244	2 610 919 087	Set screw	3
246	2 610 925 187	Nut	3
247	2 610 916 061	Stop Plate	3
251	2 610 919 280	Suction Tube	3
259	2 610 917 097	Label	3
283	2 610 921 480	Screw	3
284	2 610 921 481	Screw	3
289	2 610 921 487	Shim	3
294	2 610 919 279	Housing Cover	3

Spare parts list

Item	Part Number	Description	Illustration
304	2 610 919 276	Screw	3
305	2 610 913 099	Plain Washer	3
317	2 610 923 939	Label	3
318	2 610 923 938	Label	3
827	1 619 P03 312	Assembly Of Service Parts	3

Illustration - Type - E

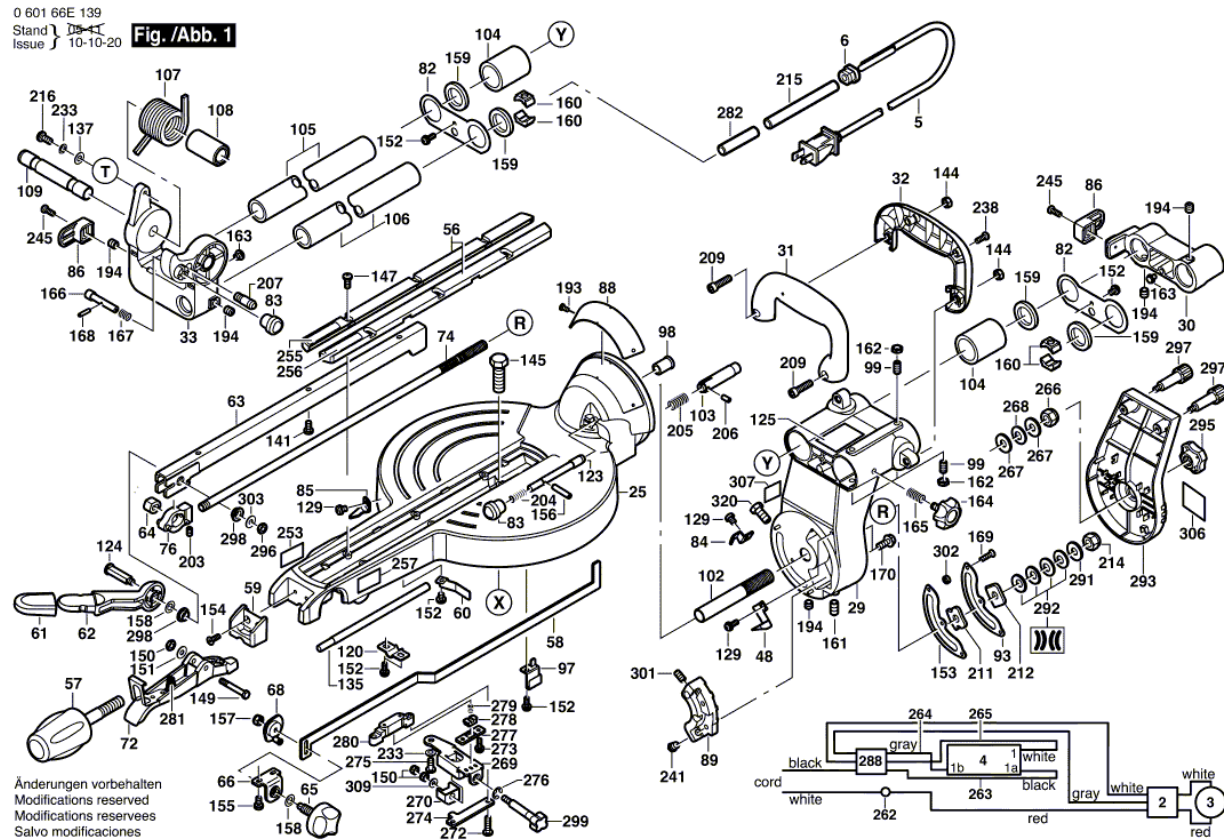


Illustration - Type - E

0 601 66E 139
 Stand } 03-03
 Issue } 09-03-26 **Fig. /Abb. 2**

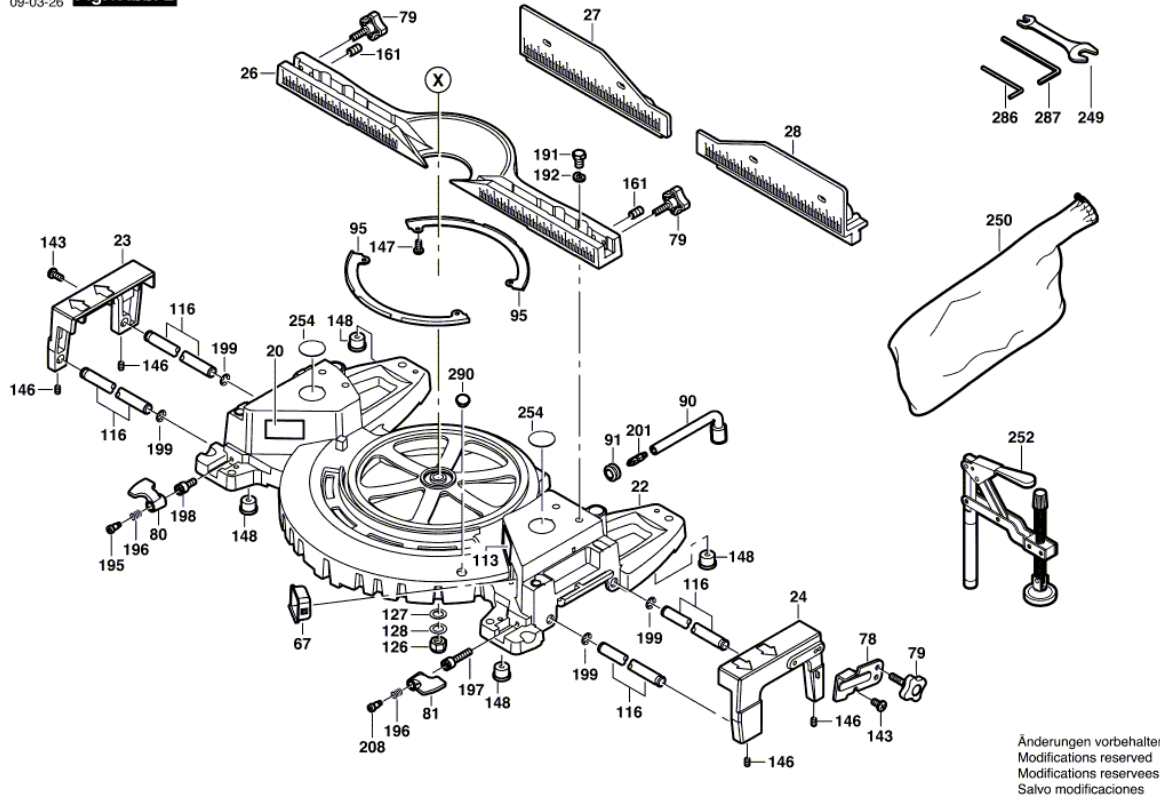


Illustration - Type - E

0 601 66E 139
 Stand 09-05-07
 Issue 09-05-07 **Fig./Abb. 3**

