



This Manual is Bookmarked

Operating Instructions — Parts Manual

## Disc, Belt, and Combination Disc/Belt Sanders

Models: 4200A, 4300A, 4400A



4200A Disc/Belt Sander



4300A 6 Inch Belt Sander

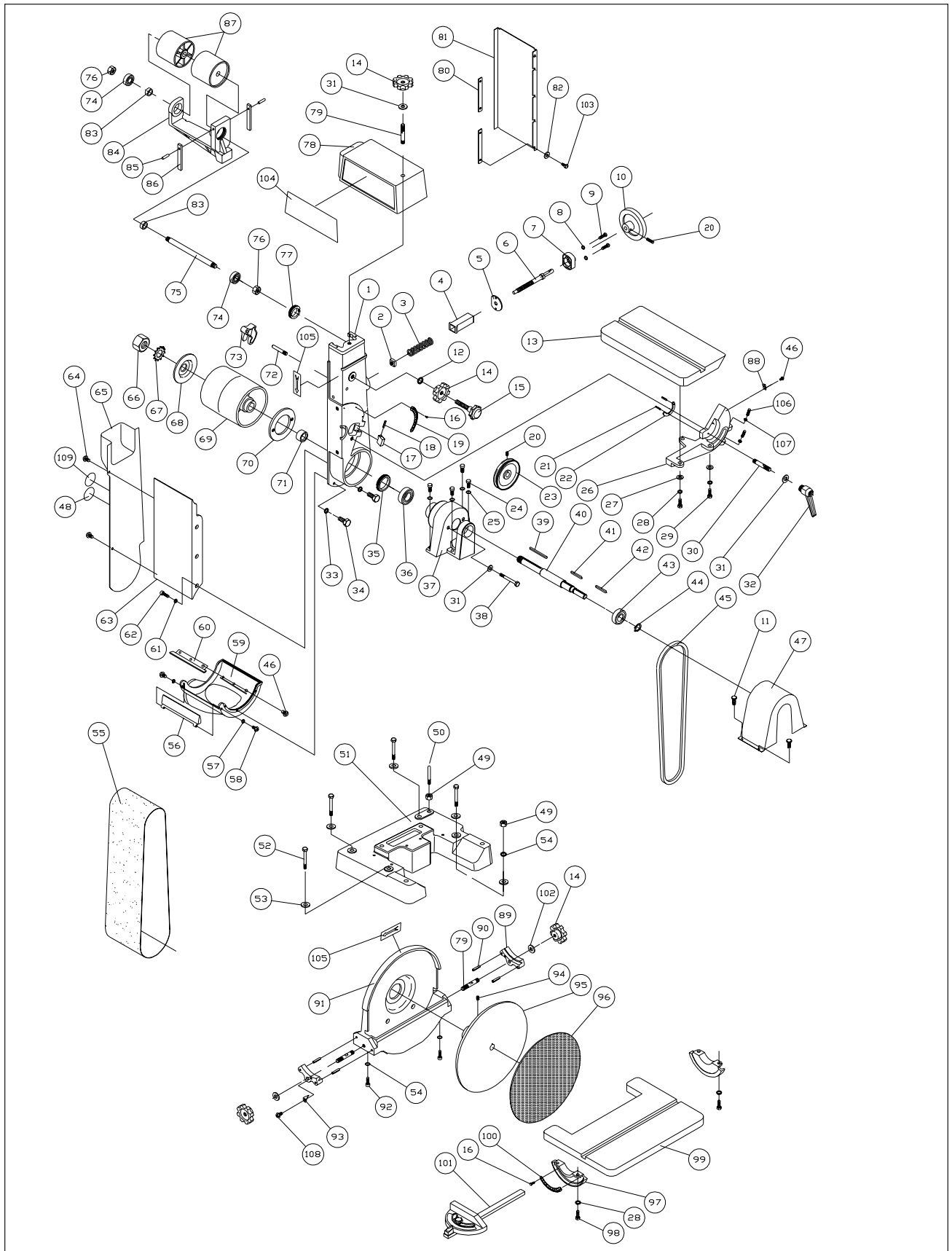


4400A 12 Inch Disc Sander

**WMH TOOL GROUP**  
2420 Vantage Drive  
Elgin, Illinois 60123  
Ph.: 800-274-6848  
[www.wmhtoolgroup.com](http://www.wmhtoolgroup.com)

**Part No. 5511365**  
Revision E2 10/04  
Copyright © WMH Tool Group

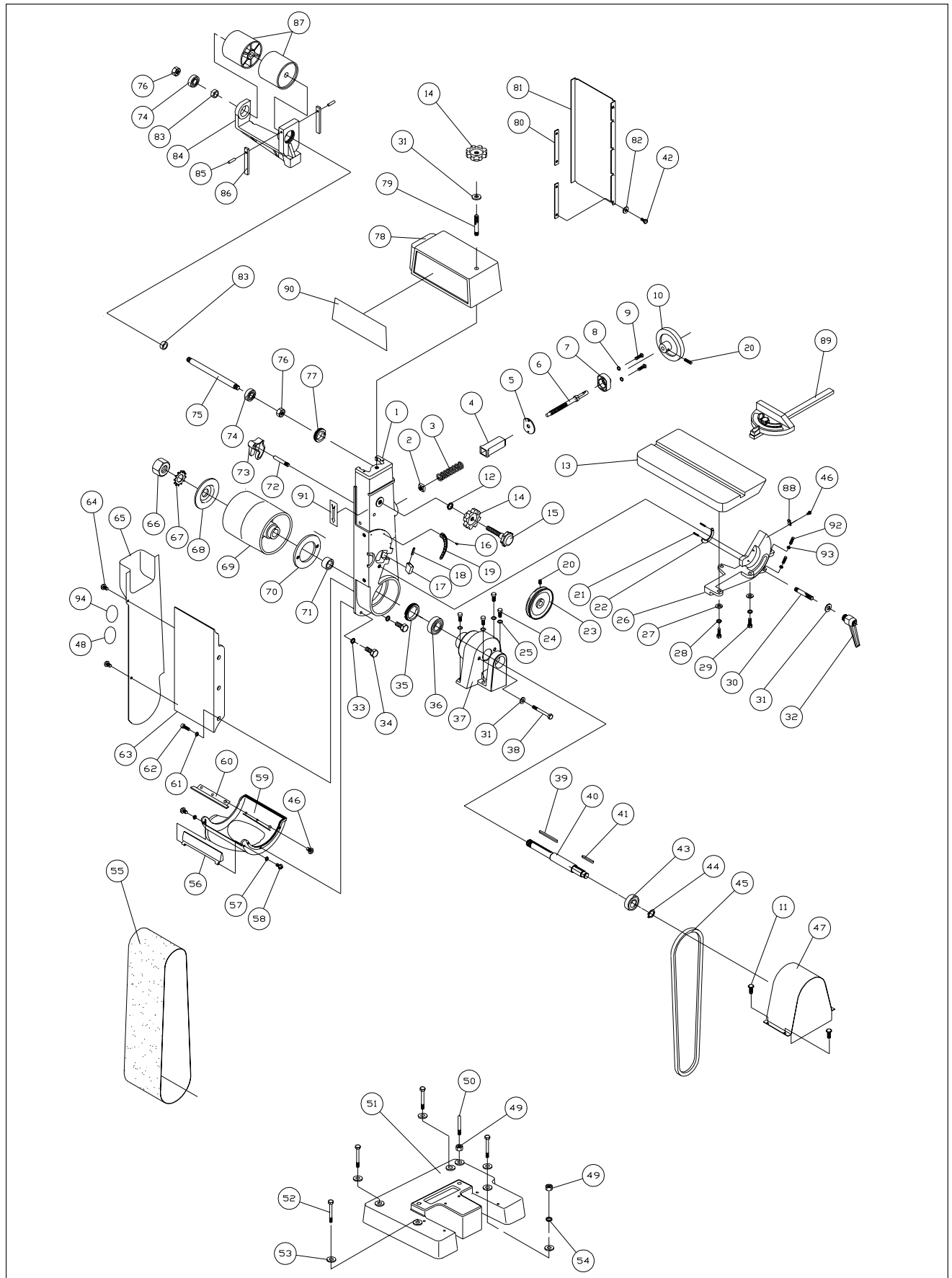
# Exploded View – Model 4200A Belt and Disc Sander Assembly



# Parts Listing – Model 4200A Belt and Disc Sander Assembly

Ref #	Part No.	Description	Qty.	Ref #	Part No.	Description	Qty.
1	5508427	Bracket	1	56	5508455	Deflector Plate	1
2	5511833	Square Nut, M10	1	57	TS-2361051	Lock Washer, M5	2
3	50510801	Spring	1	58	TS-1513021	SHFS, M5 x 12	2
4	5051091	Sleeve	1	59	5508454	Drive Drum Guard	1
5	5051131	Collar	1	60	5508456	Dust Deflector	1
6	5508431	Shaft with Collar	1	61	TS-2361101	Lock Washer, M10	3
7	5051151	Cap	1	62	TS-1491021	Hex Cap Screw, M10 x 20	3
8	TS-2361051	Lock Washer, M5	2	63	5508457	Platen	1
9	TS-1513051	SHFS, M5 x 25	2	64	TS-1514011	SHFS, M6 x 12	2
10	5051721	Hand Wheel	1	65	5051601A	Side Guard	1
11	5511818	FH Screw, M5 x 6	4	66	TS-1540231	Hex Nut, M24	1
12	TS-1550071	Flat Washer, M10	2	67	9058121	Lock Washer, Ext., M24	1
13	5508432	Tilting Table	1	68	5051981	Spacer	1
14	5508450	Hand Knob	4	69	5051971A	Drive Drum	1
15	5508429	Belt Adj. Knob, M10	1	70	5508458	Clamp Ring	1
16	5511824	Drive Screw, M2 x 5	5	71	4200A-071	Spacer	1
17	5508437	Stop Lock	1	72	5051031	Tension Lever Pin	1
18	5511828	Groove Pin, M5 x 45	1	73	5051021	Belt Tension Lever	1
19	5051351	Tilting Scale	1	74	BB-6202ZZ	Ball Bearing, 6202ZZ	2
20	TS-1523011	SHSS, M6 x 6	2	75	5508461	Idler Drum Shaft with Lock Nut	1
21	5511827	Groove Pin, M4 x 8	2	76	TS-2342121	Hex Nut, Nylon Lock M12	2
22	5051331	Segment	1	77	5508460	Bearing Lock Nut	1
23	5511725	4200 Arbor Pulley	1	78	5051591A	Idler Drum Guard	1
24	TS-1504061	SHCS, M8 x 30	4	79	5508462	Stud	3
25	TS-2361081	Lock Washer, M8	4	80	5508463	Clamp Bar	2
26	5508433	Trunnion	1	81	5052121	Bottom Guard	1
27	TS-1550061	Flat Washer, M8	9	82	TS-2361061	Lock Washer, M6	4
28	TS-2361081	Lock Washer, M8	9	83	5052061B	Idler Drum Spacer	2
29	TS-1490041	Hex Cap Screw, M8 x 25	3	84	5508459	Idler Pin Bracket	1
30	5508435	Stud, M10	1	85	TS-0367061	Roll Pin, 1/4" x 1-1/4"	2
31	TS-1550071	Flat Washer, M10	4	86	5052001	Block	2
32	5508436	Acorn Nut and Handle	1	87	5052061A	Idler Drum	2
33	TS-2361061	Lock Washer, M6	3	88	5508434	Pointer	1
34	TS-1482031	Hex Cap Screw, M6 x 16	3	89	5508451	Clamp with Pins	2
35	5508439	Preload Bushing, M54	1	90	4200A-090	Roll Pin, M6 x 45	4
36	BB-6205ZZ	Ball Bearing, 6205ZZ	1	91	5508453	Disc Guard	1
37	5508438	Bearing Housing	1	92	TS-2239551	SHCS, M10 x 55	2
38	TS-2210951	Hex Cap Screw, M10 x 140	2	93	5051741	Pointer	1
39	5051421	Key, 5 x 5 x 70	1	94	TS-1523031	SHSS, M6 x 10	2
40	5508441	Drive Shaft	1	95	5051641	Disc, Aluminum	1
41	5051451	Key, 5 x 5 x 35	1	96	5051631	Garnet Disc	1
42	4200A-042	Key, 5 x 5 x 55	1	97	5051681	Trunnion	2
43	BB-6204ZZ	Ball Bearing, 6204ZZ	1	98	TS-1490041	Hex Cap Screw, M8 x 25	4
44	5051471	Retaining Ring, S20	1	99	5508449	Table	1
45	VB-A59	V-Belt, A59	1	100	5051701	Tilting Table Scale	1
46	TS-2245081	SHFS, M5 x 8	4	101	5052271	Deluxe Miter Gauge	1
47	5508444	Belt Guard Assembly	1	102	TS-1550071	Flat Washer, M10	2
48	4200A-048	Warning Label	1	103	TS-1482032	Hex Cap Screw, M6 x 17	4
49	TS-1540071	Hex Nut, Full, M10	5	104	4200A-104	Label, Name	1
50	5508446	Stop Pin	1	105	4200A-105	Label, Direction	2
51	5508447	Base	1	106	TS-1482081	Hex Cap Screw, M6 x 40	2
52	TS-2210801	Hex Cap Screw, M10 x 80	4	107	TS-1540041	Hex Nut, Full, M6	2
53	5515292	Flat Washer, M10	8	108	TS-1523021	SHFS, M6 x 8	1
54	TS-2361101	Lock Washer, M10	6	109	4200A-109	Label, Warning	1
55	5051841	Garnet Belt	1	110	TS-152704	Allen Wrench, 4mm	1

# Exploded View – Model 4300A Belt Sander Assembly

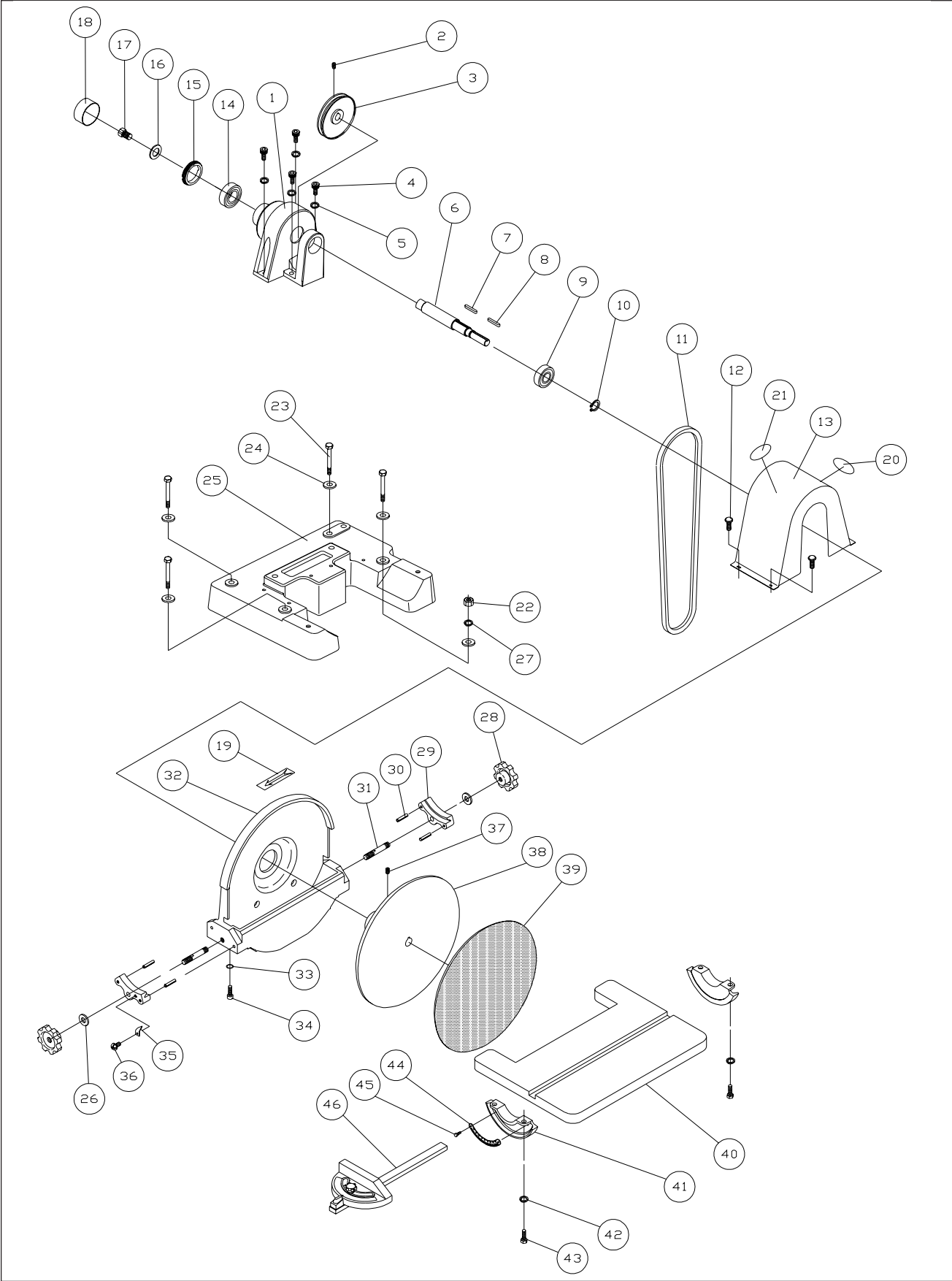


# Parts Listing – Model 4300A Belt Sander

Ref #	Part No.	Description	Qty.
1	5508427	Bracket	1
2	5511833	Square Nut, M10	1
3	5051081	Spring	1
4	5051091	Sleeve	1
5	5051131	Collar	1
6	5508431	Shaft with Collar	1
7	5051151	Cap	1
8	TS-2361051	Lock Washer, M5	2
9	TS-1513051	SHFS, M5 x 25	2
10	5051721	Hand Wheel	1
11	5511818	Flat Head Screw, M5 x 6	4
12	TS-1550071	Flat Washer, M10	1
13	5508432	Tilting Table	1
14	5508450	Hand Knob	2
15	5508429	Belt Adj. Knob, M10	1
16	5511824	Drive Screw, M2 x 5	3
17	5508437	Stop Lock	1
18	5511828	Groove Pin, M5 x 45	1
19	5051351	Tilting Scale	1
20	TS-1523011	SHSS, M6 x 6	2
21	5511827	Groove Pin, M4 x 8	2
22	5051331	Segment	1
23	5511725	4200 Arbor Pulley	1
24	TS-1504061	SHCS, M8 x 30	4
25	TS-2361081	Lock Washer, M8	4
26	5508433	Trunnion	1
27	TS-1550061	Flat Washer, M8	3
28	TS-2361081	Lock Washer, M8	3
29	TS-1490041	Hex Cap Screw, M8 x 25	3
30	5508435	Stud, M10	1
31	TS-1550071	Flat Washer, M10	4
32	5508436	Acorn Nut and Handle	1
33	TS-2361061	Lock Washer, M6	3
34	TS-1482033	Hex Cap Screw, M6 x 18	3
35	5508439	Reload Bushing, M54	1
36	BB-6205ZZ	Ball Bearing, 6205ZZ	1
37	5508438	Bearing Housing	1
38	TS-2210951	Hex Cap Screw, M10 x 140	2
39	5051421	Key, 5 x 5 x 70	1
40	5508442	Drive Shaft	1
41	5051451	Key, 5 x 5 x 35	1
42	TS-1482034	Hex Cap Screw, M6 x 19	4
43	BB-6204ZZ	Ball Bearing, 6204ZZ	1
44	5051471	Retaining Ring, S20	1
45	VB-A59	V-Belt, A59	1
46	TS-2245081	SHFS, M5 x 8	4
47	5508445	Belt Guard Assembly	1
48	4200A-048	Label, Warning	1
49	TS-1540071	Hex Nut, Full, M10	5
50	5508446	Stop Pin	1
51	5508448	Base	1

Ref #	Part No.	Description	Qty.
52	TS-2210801	Hex Cap Screw, M10 x 80	4
53	TS-1550071	Flat Washer, M10	8
54	TS-2361101	Lock Washer, M10	6
55	5051841	Garnet Belt	1
56	5508455	Deflector Plate	1
57	TS-2361051	Lock Washer, M5	2
58	TS-1513021	SHFS, M5 x 12	2
59	5508454	Drive Drum Guard	1
60	5508456	Dust Deflector	1
61	TS-2361101	Lock Washer, M10	3
62	TS-1491021	Hex Cap Screw, M10 x 20	3
63	5508457	Platen	1
64	TS-1514011	SHFS, M6 x 12	2
65	5051601A	Side Guard	1
66	TS-1540231	Hex Nut, M24	1
67	9058121	Lock Washer, Ext., M24	1
68	5051981	Spacer	1
69	5051971A	Drive Drum	1
70	5508458	Clamp Ring	1
71	4200A-077	Idler Drum Shaft	1
72	5051031	Tension Lever Pin	1
73	5051021	Belt Tension Lever	1
74	BB-6202ZZ	Ball Brearing, 6202ZZ	2
75	5508461	Idler Drum Shaft with Lock Nut	1
76	TS-2342121	Hex Nut, Nylon Lock, M12	2
77	5508460	Bearing Lock Nut	1
78	5051591A	Idler Drum Guard	1
79	5508462	Stud	1
80	5508463	Clamp Bar	2
81	5052121	Bottom Guard	1
82	TS-2361061	Lock Washer, M6	4
83	5052061B	Idler Drum Spacer	2
84	5508459	Idler Pin Bracket	1
85	TS-0367061	Roll Pin, 1/4" x 1-1/4"	2
86	5052001	Block	2
87	5052061A	Idler Drum	2
88	5508434	Pointer	1
89	5052271	Deluxe Miter Gauge	1
90	4300A-090	Label, Name	1
91	4200A-105	Label, Direction	1
92	TS-1482081	Hex Cap Screw, M6 x 40	2
93	TS-1540041	Hex Nut, Full, M6	2
94	4300A-094	Label, Warning	1
95	TS-152704	Allen Wrench, 4mm	1

# Exploded View – Model 4400A Disc Sander Assembly

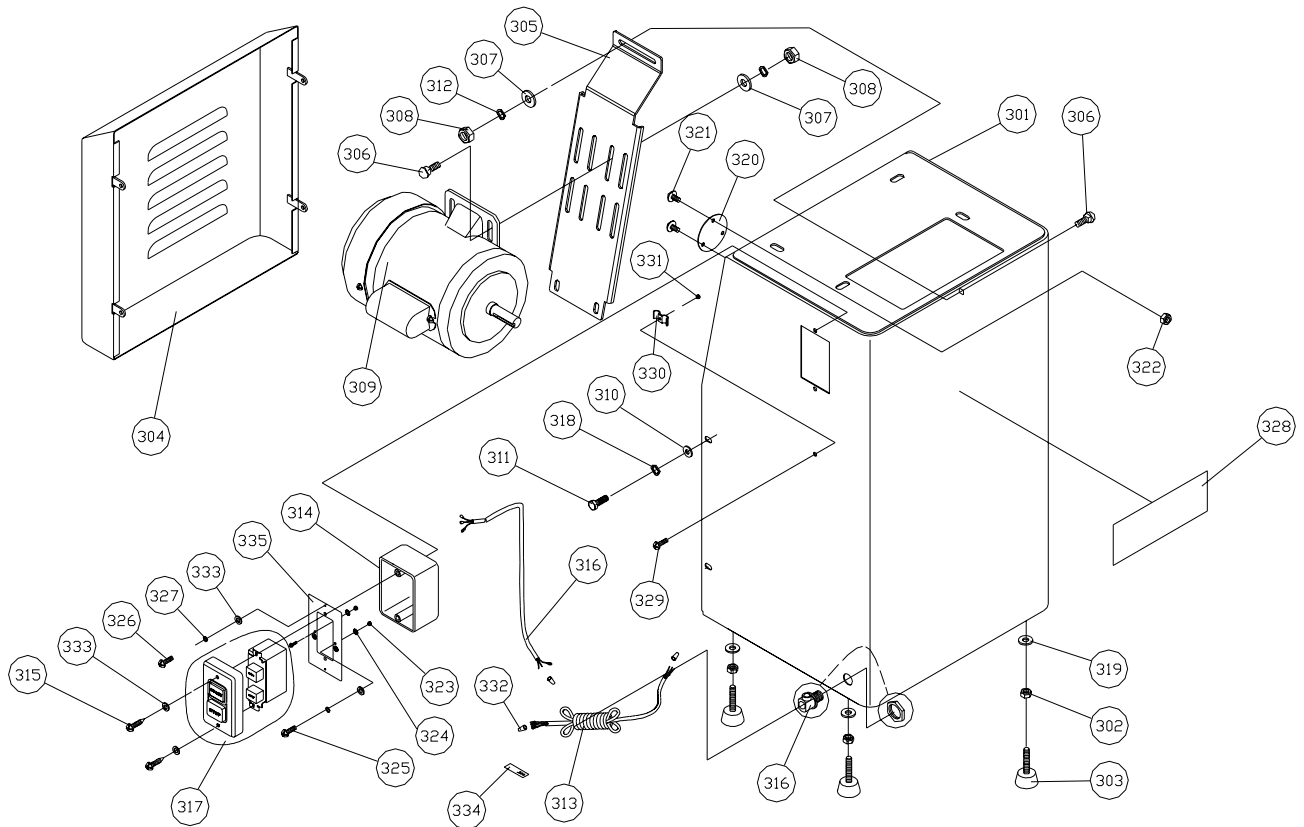




## Parts Listing – Model 4400A Disc Sander Assembly

Ref #	Part No.	Description	Qty.
1	5508427	Bracket	1
2	TS-1523011	SHSS, M6 x 6	2
3	5511725	4200 Arbor Pulley	1
4	TS-1504061	SHCS, M8 x 30	4
5	TS-2361081	Lock Washer, M8	4
6	5508443	Drive Shaft	1
7	5051451	Key, 5 x 5 x 35	1
8	4200A-042	Key, 5 x 5 x 55	1
9	BB-6204ZZ	Ball Bearing, 6204ZZ	1
10	5051471	Retaining Ring, S20	1
11	VB-A59	V-Belt, A59	1
12	5511818	Pan Head Screw, M5 x 6	4
13	5508444	Belt Guard Assembly	1
14	BB-6205ZZ	Ball Bearing, 6205ZZ	1
15	5508439	Locking Bushing	1
16	TS-1550061	Flat Washer, M8	1
17	TS-1490031	Hex Cap Screw, M8 x 20	1
18	4400A-018	Glue Bushing	1
19	4200A-105	Label, Direction	1
20	4400A-020	Label, Warning	1
21	4400A-021	Label, Warning	1
22	TS-1540071	Hex Nut, Full, M10	4
23	TS-2210801	Hex Cap Screw, M10 x 80	4
24	TS-1550071	Flat Washer, M10	8
25	5508447	Base	1
26	TS-1550071	Flat Washer, M10	2
27	TS-2361101	Lock Washer, M10	4
28	5508450	Hand Knob	2
29	5508451	Clamp with Pins	2
30	4200A-090	Roll Pin, M6 x 45	4
31	5508462	Stud	2
32	5508453	Disc Guard	1
33	TS-2361101	Lock Washer, M10	2
34	TS-2239551	SHCS, M10 x 55	2
35	5051741	Pointer	1
36	TS-1523021	SHFS, M6 x 8	1
37	TS-1523031	SHSS, M6 x 10	2
38	5051641	Disc, Aluminum	1
39	5051631	Garnet Disc	1
40	5508449	Table	1
41	5051681	Trunnion	2
42	TS-2361081	Lock Washer, M8	4
43	TS-1490041	Hex Cap Screw, M8 x 25	4
44	5051701	Tilting Table Scale	1
45	5511824	Drive Screw, M2 x 5	2
46	5052271	Deluxe Miter Gauge	1

# Exploded View - Base Assembly (All Models)

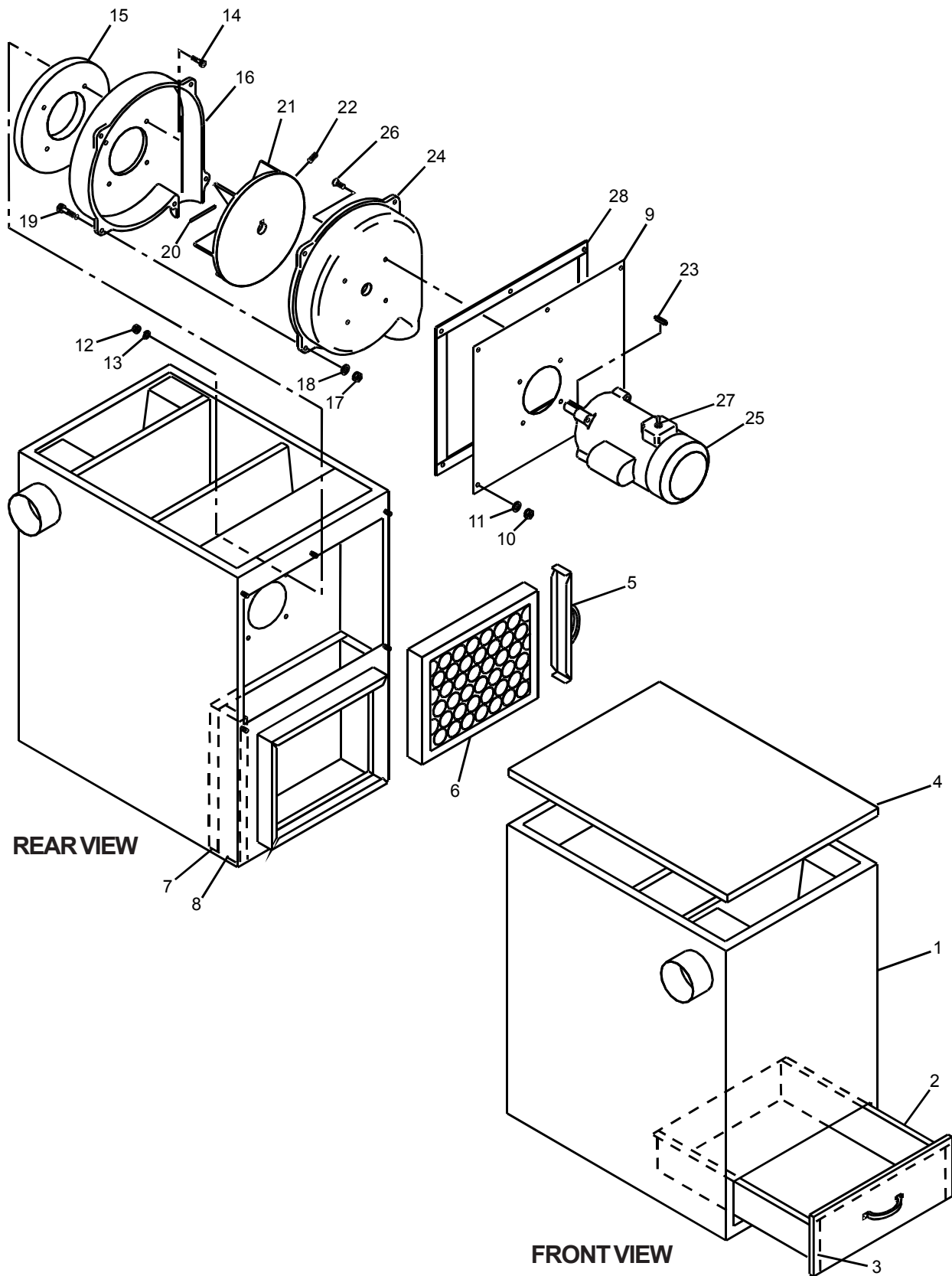


Ref #	Part No.	Description	Qty.
301	5511743	Enclosure	1
302	TS-1540081	Hex Nut, M12	4
303	5511745	Adjustable Mount	4
304	5511729	Large Cover	1
305	5052431	Motor Mounting Plate	1
306	TS-1490031	HHCS, M8 x 20	7
307	TS-1550061	Flat Washer, M8	7
308	TS-1540061	Hex Nut, M8	7
309	5514650	1.5 HP 115/230V 1 Ph.	1
309	5514651	1.5 HP 115/230V 1 Ph.	1
310	TS-1550061	Flat Washer, M8	4
311	TS-1490011	HHCS, M8 x 12	4
312	TS-2361081	Lock Washer, M8	7
313	9133081	Power Cord	1
314	5514703	Switch Box	1
315	5511753	Tapping Bolt w/ Washer	2
316	5511754	Bushing	1
317	9139391	Switch	1
318	TS-2361081	Lock Washer, M8	4
319	TS-2360121	Flat Washer, M12	4

Ref #	Part No.	Description	Qty.
320	4200A-B320	Cover	1
321	4200A-B321	Pan Head Bolt w/ Flange	3
322	TS-1540041	Hex Nut, M6	3
323	TS-1540031	Hex Nut, M5	2
324	TS-0733203	Lock Washer, Ext., #10	2
325	4200A-B325	Pan Head Screw, M5 x 8	2
326	TS-2284082	Pan Head Screw, M4 x 8	2
327	TS-2361041	Lock Washer, M4	4
328	4200A-B328	Label, Name	1
329	TS-1533052	Pan Head Screw, M5 x 16	1
330	4200A-B330	Cord Clamp	1
331	TS-1540031	Hex Nut, M5	1
332	4200A-B332	Wiring Nut	3
333	TS-1550021	Flat Washer, M4	6
334	4200A-B334	Label, Voltage	1
335	4200A-B335	Switch Cover	1



# Exploded View – Model 5511885 Dust Collection System



# Parts Listing – Model 5511885 Dust Collection System

Ref. No.	Part Number	Description	Qty	Ref. No.	Part Number	Description	Qty
1	5514731	Base	1	19	5514748	Screw, Hex Head	5
2	5514732	Drawer, Chip	1	20	5514749	Strap, Guard	1
3	5514733	Seal, Tape	*AR	21	5514750	Fan	1
4	5514734	Cover	1	22	5514751	Screw, Set	1
5	5514735	Cover, Filter	1	23	5514752	Key	1
6	5514779	Filter	1	24	5514753	Housing, Inner Fan	1
7	5514736	Panel, Rear Foam	1	25	5514754	Motor	1
8	5514737	Panel, Side Foam	2	26	5514755	Screw, Hex Head	4
9	5514738	Panel, Motor Support	1	27	5514756	Seal, Tape	*AR
10	5514739	Nut, Hex	5	28	5514757	Switch, Motor	1
11	5514740	Washer, Lock	5	<p><b>Connection Kits:</b> Refer to Wilton catalog for appropriate connection kit for your grinding machine, or contact Wilton for assistance.</p>			
12	5514741	Nut, Hex	4				
13	5514742	Washer, Lock	4				
14	5514743	Screw, Hex Head	4				
15	5514744	Spacer	1				
16	5514745	Housing, Outer Fan	1				
17	5514746	Nut, Hex	5				
18	5514747	Washer, Lock	5				

## Wiring Information - Dust Collection System

