



435, 435e, 440e

Spare parts

Ersatzteile

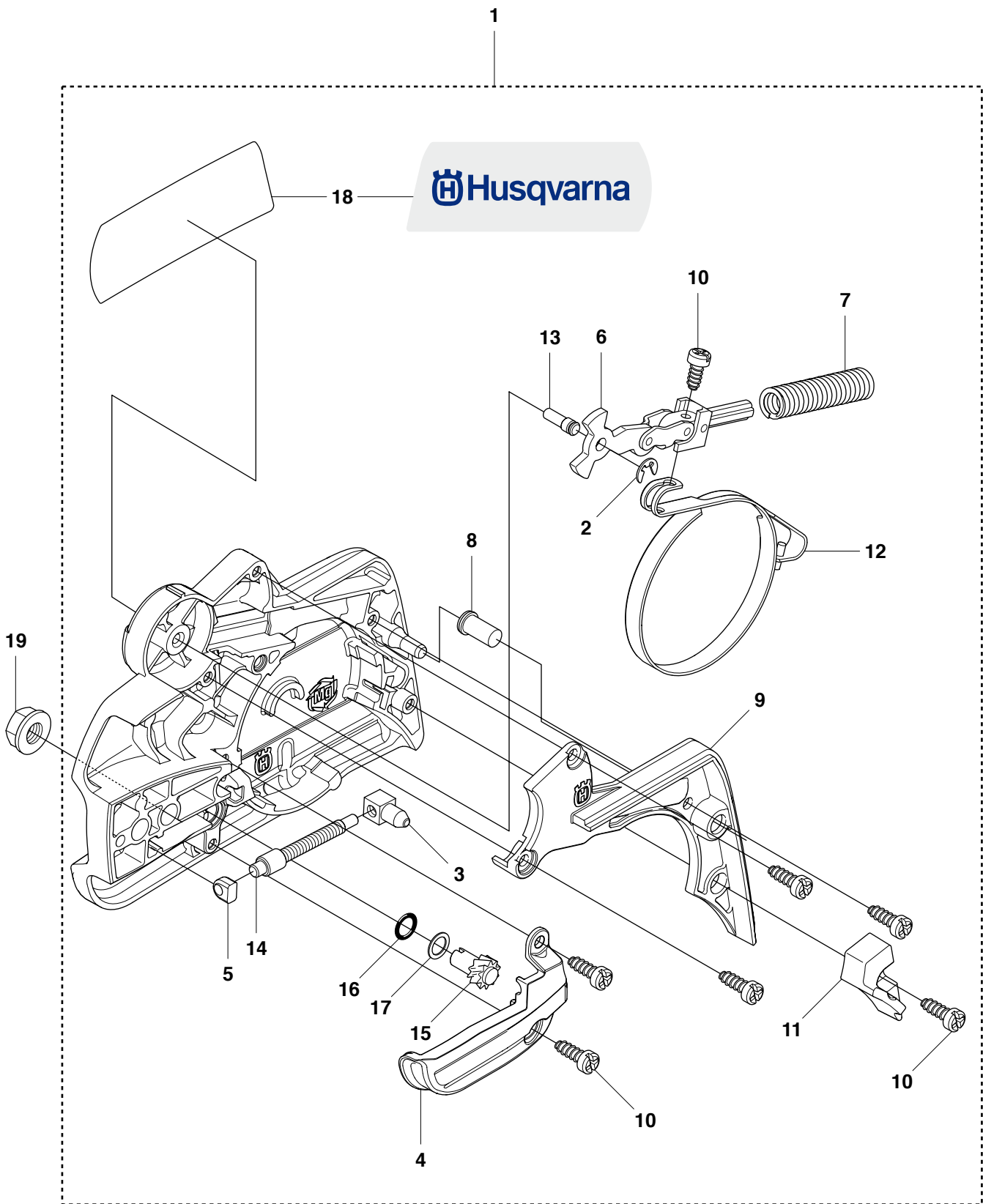
Pièces détachées

Reserve onderdelen

Repuestos

Reservdelar

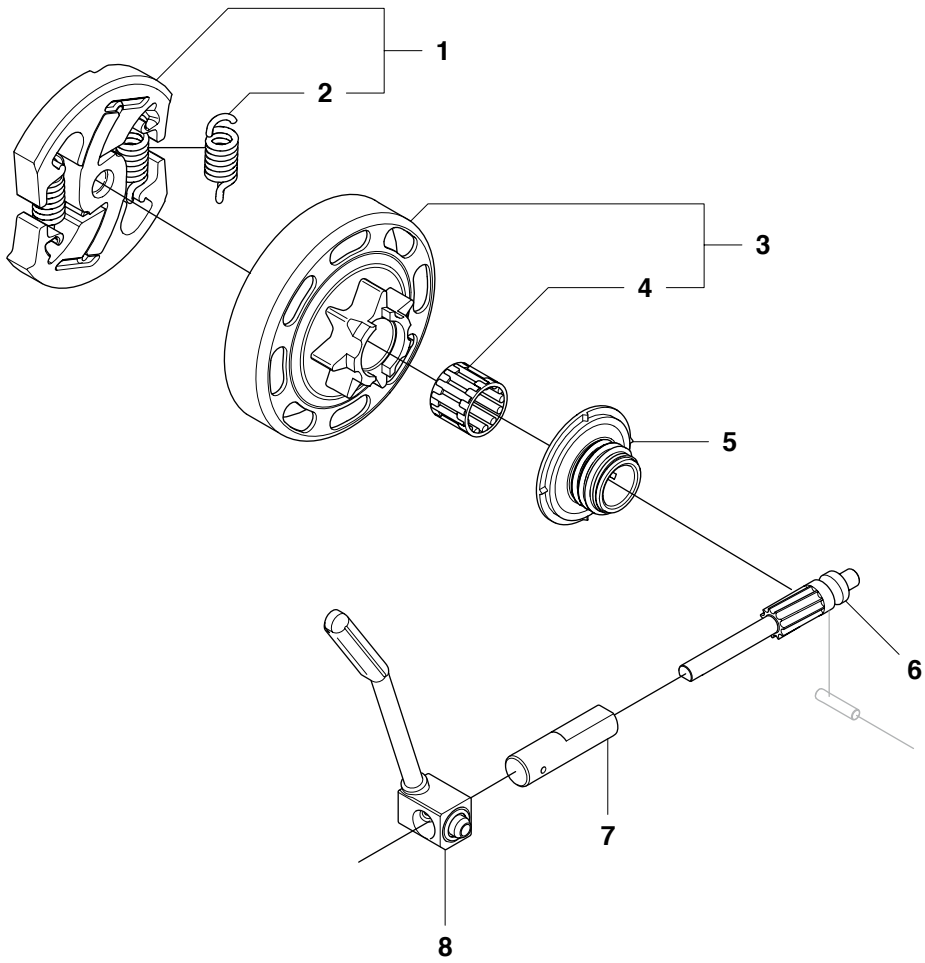
A2 435
CHAIN BREAK & CLUTCH COVER



CHAIN BREAK & CLUTCH COVER

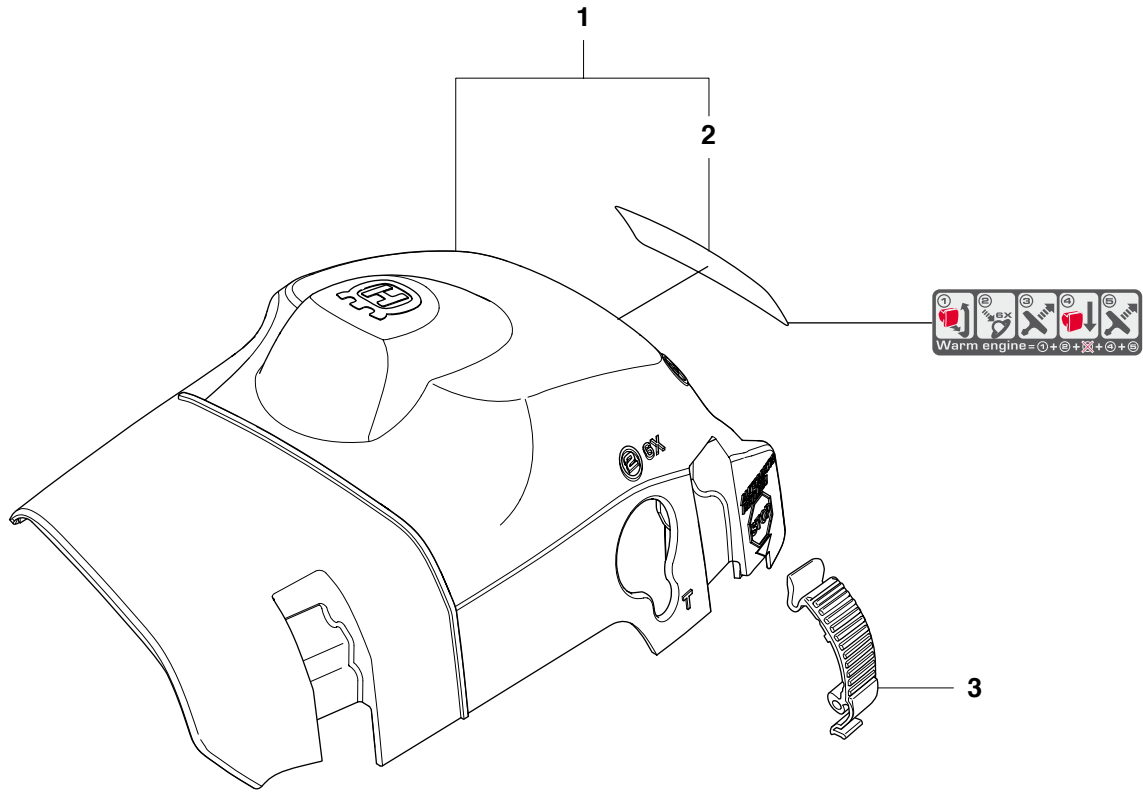
| Position | Article | Quantity | Notes | Kit |
|----------|--------------|----------|---------------------|-----|
| 1 | 501 38 82-01 | | Clutch cover assy | |
| 2 | 735 31 08-20 | 1 | E-clip | 1 |
| 3 | 537 28 66-01 | 1 | Pawl | 1 |
| 4 | 540 06 33-01 | 1 | Chain guide | 1 |
| 5 | 537 01 74-01 | 1 | Bearing sleeve | 1 |
| 6 | 503 89 08-02 | 1 | Knee joint | 1 |
| 7 | 505 89 26-01 | 1 | Brake spring | 1 |
| 8 | 503 85 52-01 | 1 | Guide bushing | 1 |
| 9 | 544 24 85-01 | 1 | Cover lid | 1 |
| 10 | 503 21 70-10 | 7 | Screw | 1 |
| 11 | 544 25 31-01 | 1 | Wear protection | 1 |
| 12 | 544 30 60-01 | 1 | Brake band assy | 1 |
| 13 | 503 89 29-01 | 1 | Pin | 1 |
| 14 | 537 39 70-01 | 1 | Worm screw | 1 |
| 15 | 537 07 94-02 | 1 | Worm wheel | 1 |
| 16 | 740 48 07-02 | 1 | O-ring | 1 |
| 17 | 503 23 00-63 | 1 | Washer | 1 |
| 18 | 544 37 68-01 | 1 | Label, clutch cover | 1 |
| 19 | 503 22 00-01 | 1 | Nut | |

B 435, 435e, 440e
CLUTCH & OIL PUMP



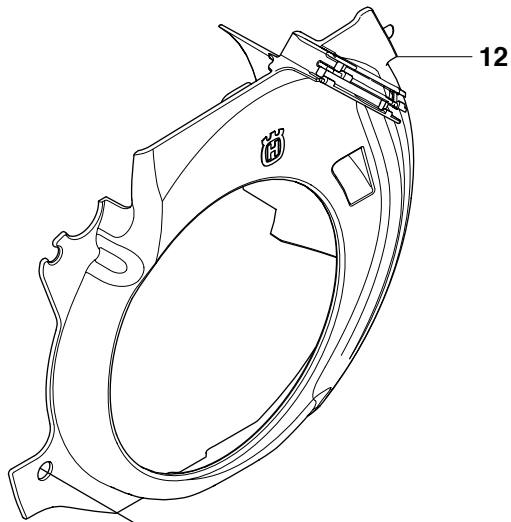
| Position | Article | Quantity | Notes | Kit |
|----------|--------------|----------|------------------|-----|
| 1 | 544 87 12-01 | 1 | Clutch assy | |
| 2 | 502 08 03-01 | 2 | Clutch spring | 1 |
| 3 | 505 44 15-01 | 1 | Clutch drum assy | |
| 4 | 503 53 92-01 | 1 | Support bushing | 3 |
| 5 | 544 21 24-01 | 1 | Worm gear | |
| 6 | 540 05 79-01 | 1 | Pump piston | |
| 7 | 537 15 48-01 | 1 | Pump cylinder | |
| 8 | 544 08 42-01 | 1 | Oil hose | |

C 435, 435e, 440e
CYLINDER COVER

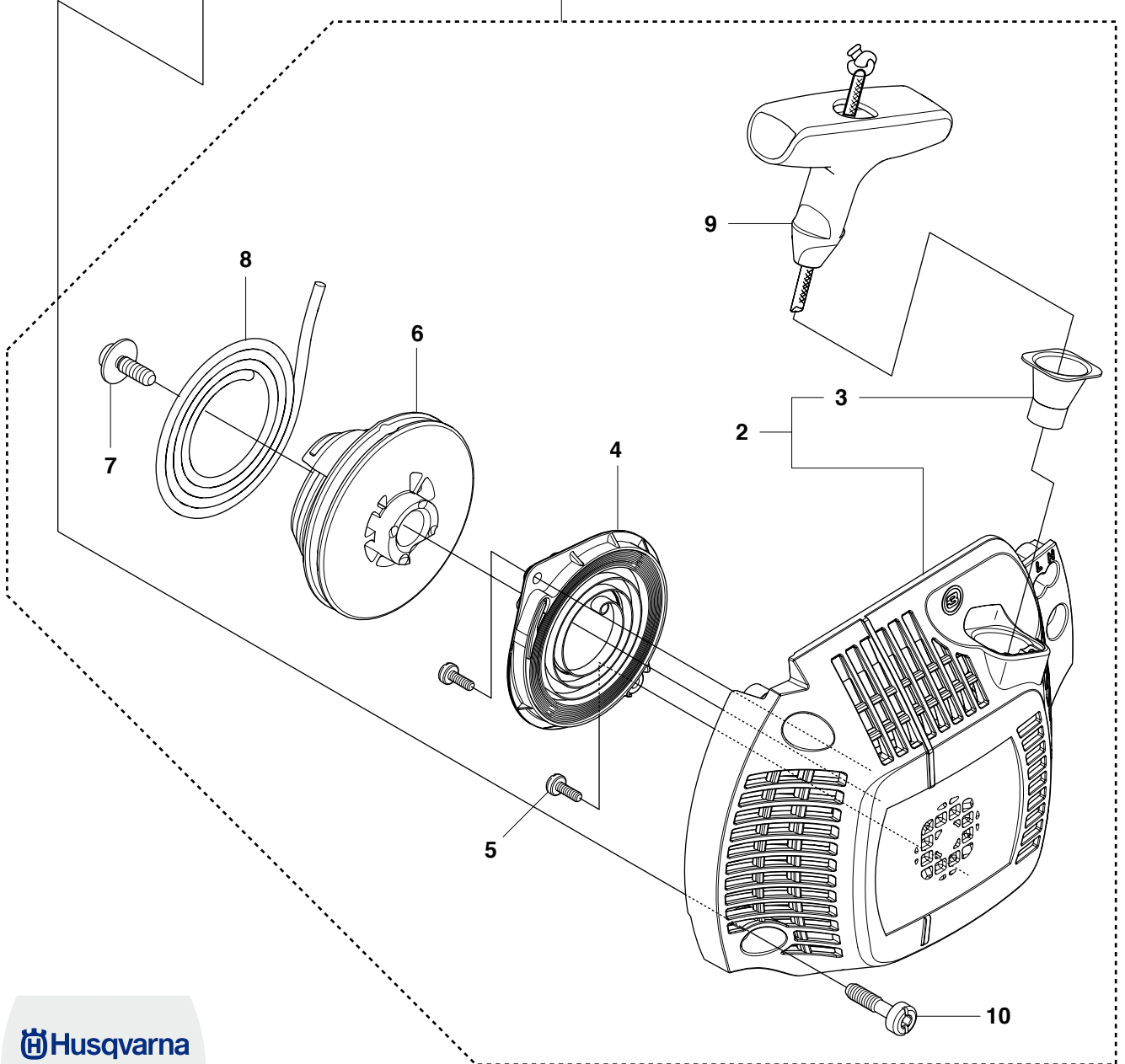


| Position | Article | Quantity | Notes | Kit |
|----------|--------------|----------|-----------------------|-----|
| 1 | 504 79 02-01 | 1 | Cylinder cover kpl | |
| 2 | 522 73 60-01 | 1 | Start reminder, label | 1 |
| 3 | 503 89 47-01 | 3 | Snap | |

D1 435 STARTER



1



 Husqvarna

11

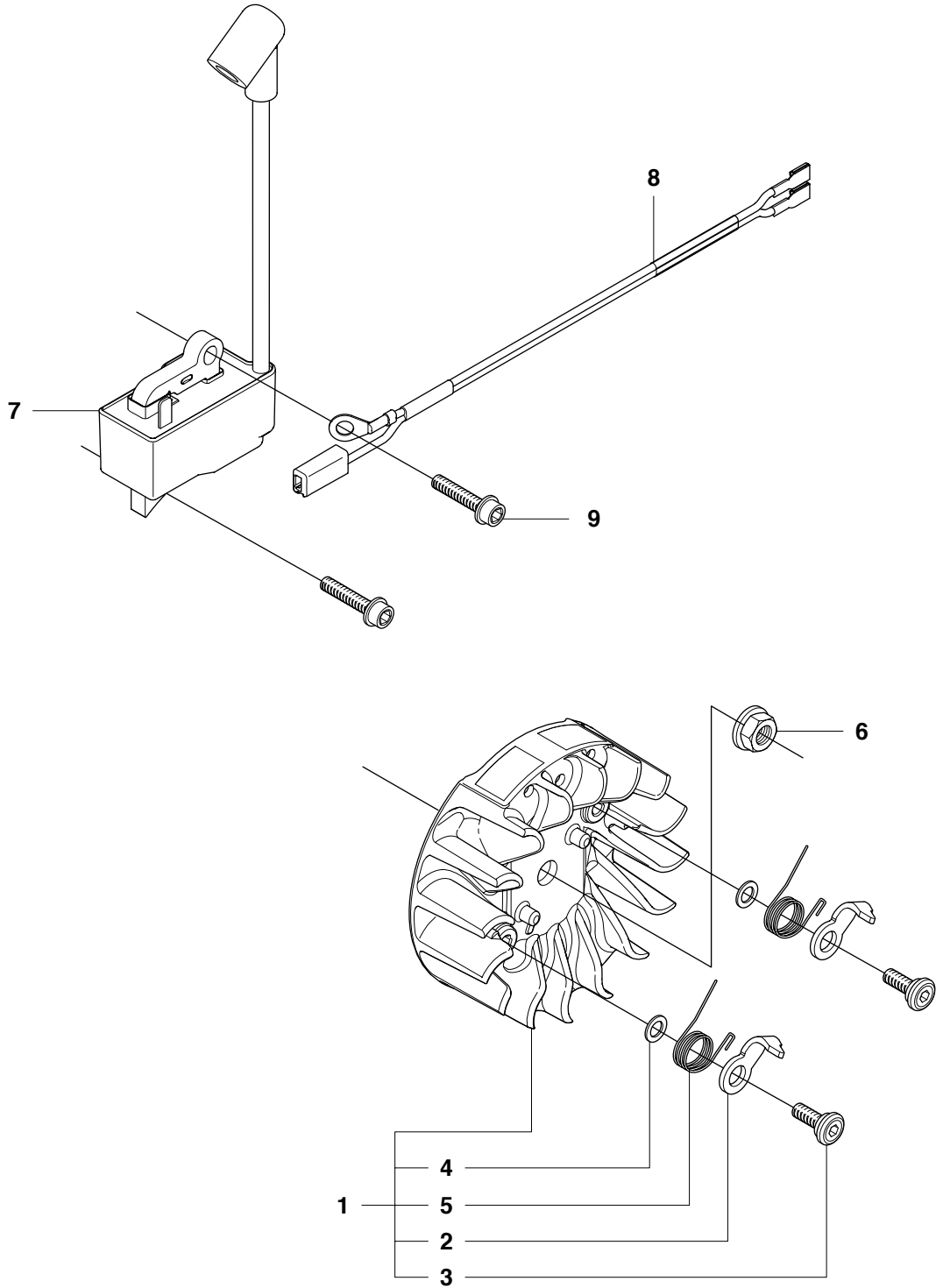
435

PAT. PEND.

X-TORQ

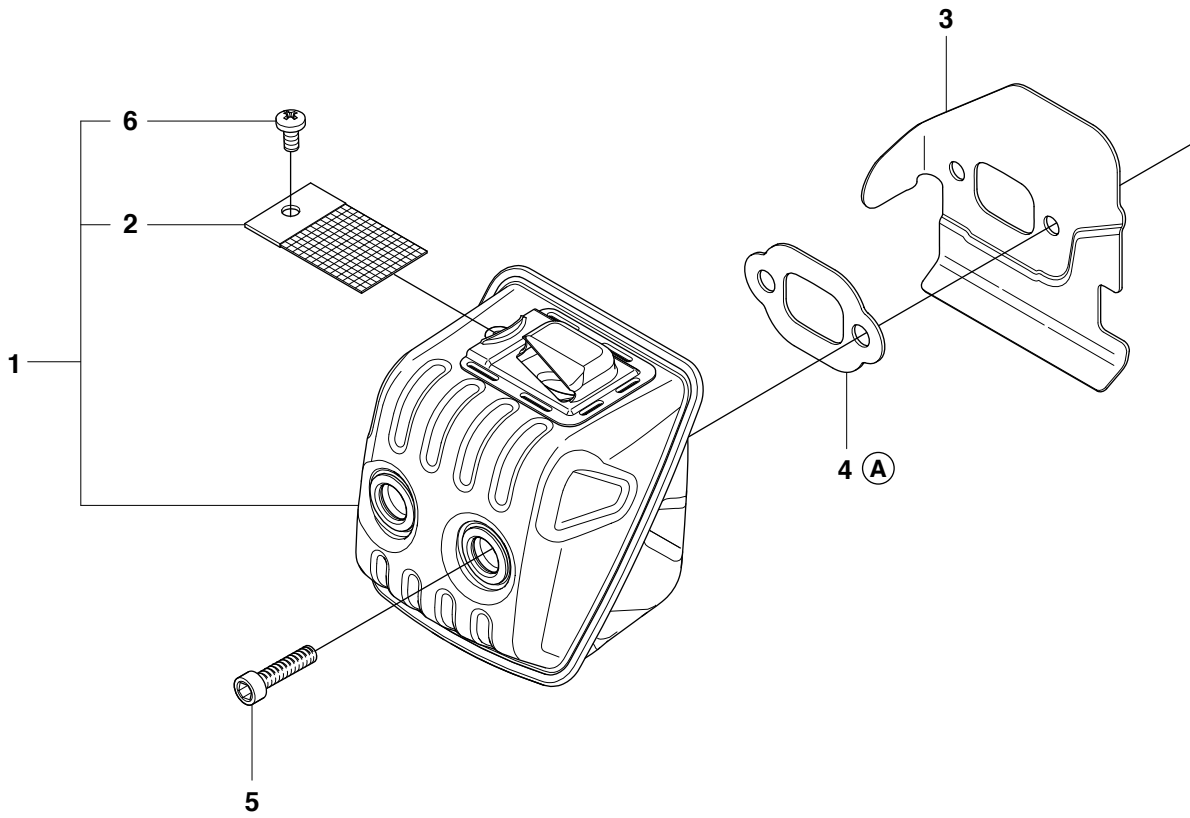
| Position | Article | Quantity | Notes | Kit |
|----------|--------------|----------|-----------------------|------|
| 1 | 504 59 70-02 | 1 | Starter assy, std | |
| 2 | 504 59 69-01 | 1 | Starter, Std | 1 |
| 3 | 537 28 32-01 | 1 | Reinforcement sleeve | 1, 2 |
| 4 | 540 05 75-02 | 1 | Spring cassette assy | 1 |
| 5 | 503 21 28-10 | 2 | Screw CCRPANT | 1 |
| 6 | 504 59 71-01 | 1 | Starter pulley | 1 |
| 7 | 503 21 77-16 | 1 | Screw IH SCT | 1 |
| 8 | 505 30 51-25 | 1 | Starter cord | 1 |
| 9 | 537 23 25-01 | 1 | Starter handle | 1 |
| 10 | 503 21 73-21 | 4 | Screw CIH SCTO | 1 |
| 11 | 504 54 68-01 | 1 | Label, Starter | |
| 12 | 544 19 71-01 | 1 | Cooling air conductor | |

E 435, 435e, 440e
IGNITION SYSTEM



| Position | Article | Quantity | Notes | Kit |
|----------|--------------|----------|-----------------|-----|
| 1 | 544 87 42-02 | 1 | Flywheel assy | |
| 2 | 537 24 56-01 | 2 | Starter pawl | 1 |
| 3 | 501 81 99-03 | 2 | Screw | 1 |
| 4 | 503 23 00-42 | 2 | Washer steel | 1 |
| 5 | 529 27 11-01 | 2 | Spring | 1 |
| 6 | 503 22 04-01 | 1 | Nut | |
| 7 | 573 93 57-01 | 1 | Ignition module | |
| 8 | 510 10 14-01 | 1 | Wiring assy | |
| 9 | 503 20 02-20 | 2 | Screw IHSCFM | |

F 435, 435e, 440e
MUFFLER

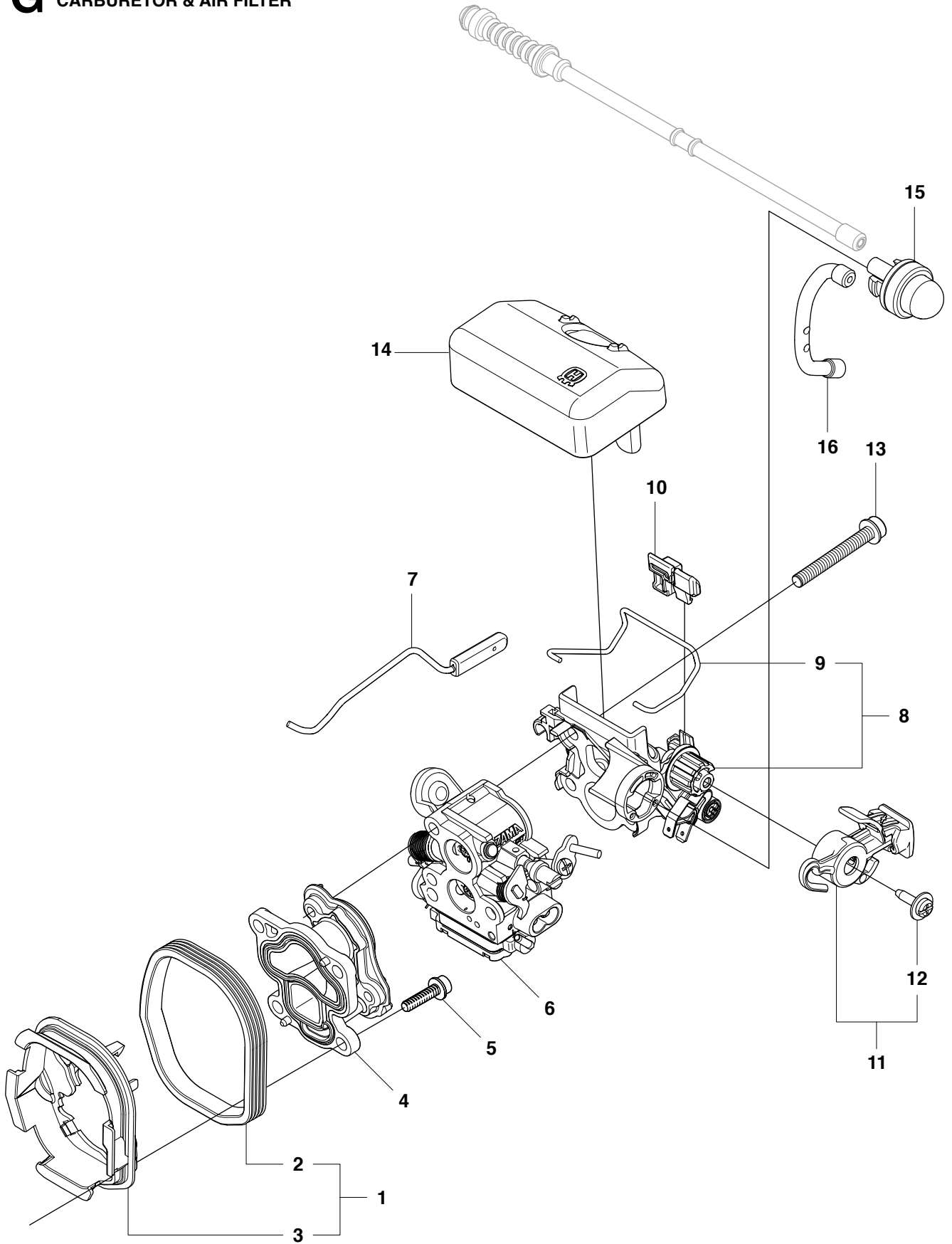


7
Ⓐ 504 79 40-01
Set of gaskets

| Position | Article | Quantity | Notes | Kit |
|----------|--------------|----------|----------------|-----|
| 1 | 544 14 77-02 | 1 | Muffler assy | |
| 2 | 503 86 36-01 | 1 | Spark arrester | 1 |
| 3 | 501 32 31-01 | 1 | Heat deflector | |
| 4 | 544 08 44-01 | 1 | Gasket | 7 |
| 5 | 725 53 68-55 | 2 | Screw | |
| 6 | 724 12 87-59 | 1 | Screw | 1 |
| 7 | 504 79 40-01 | 1 | Set of gaskets | |

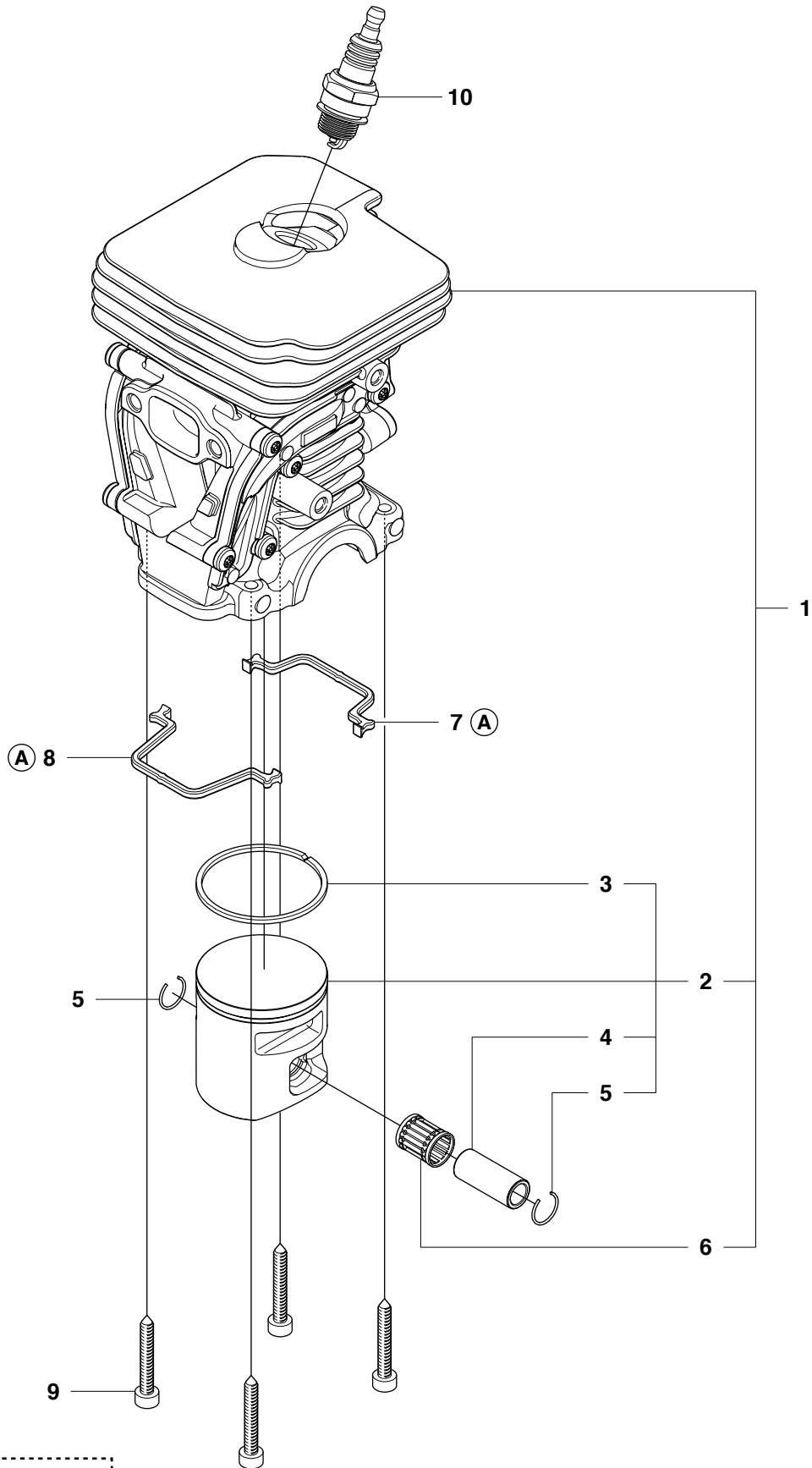


435, 435e, 440e
CARBURETOR & AIR FILTER



| Position | Article | Quantity | Notes | Kit |
|----------|--------------|----------|-----------------------------|-----|
| 1 | 504 72 47-01 | 1 | Insulation wall assy | |
| 2 | 504 72 45-01 | 1 | Insulation wall rubber | 1 |
| 3 | 504 72 44-01 | 1 | Insulation wall plastic | 1 |
| 4 | 504 20 12-01 | 1 | Inlet pipe | |
| 5 | 503 20 02-16 | 4 | Screw | |
| 6 | 506 45 05-01 | 1 | Carburettor | |
| 7 | 544 28 44-01 | 1 | Throttle rod assy | |
| 8 | 544 97 64-01 | 1 | Filter holder assy | |
| 9 | 544 39 26-01 | 1 | Shackle | 8 |
| 10 | 504 71 25-01 | 1 | Guide sliding shoe | |
| 11 | 544 84 43-02 | 1 | Control assy | |
| 12 | 544 97 66-01 | 1 | Screw | 11 |
| 13 | 503 20 02-40 | 3 | Screw | |
| 14 | 544 80 54-02 | 1 | Air filter assy (44 micron) | |
| 14 | 544 80 54-03 | 1 | Air filter assy (felt) | |
| 15 | 503 93 66-01 | 1 | Air purge | |
| 16 | 544 40 19-01 | 1 | Hose, airpurge suction | |

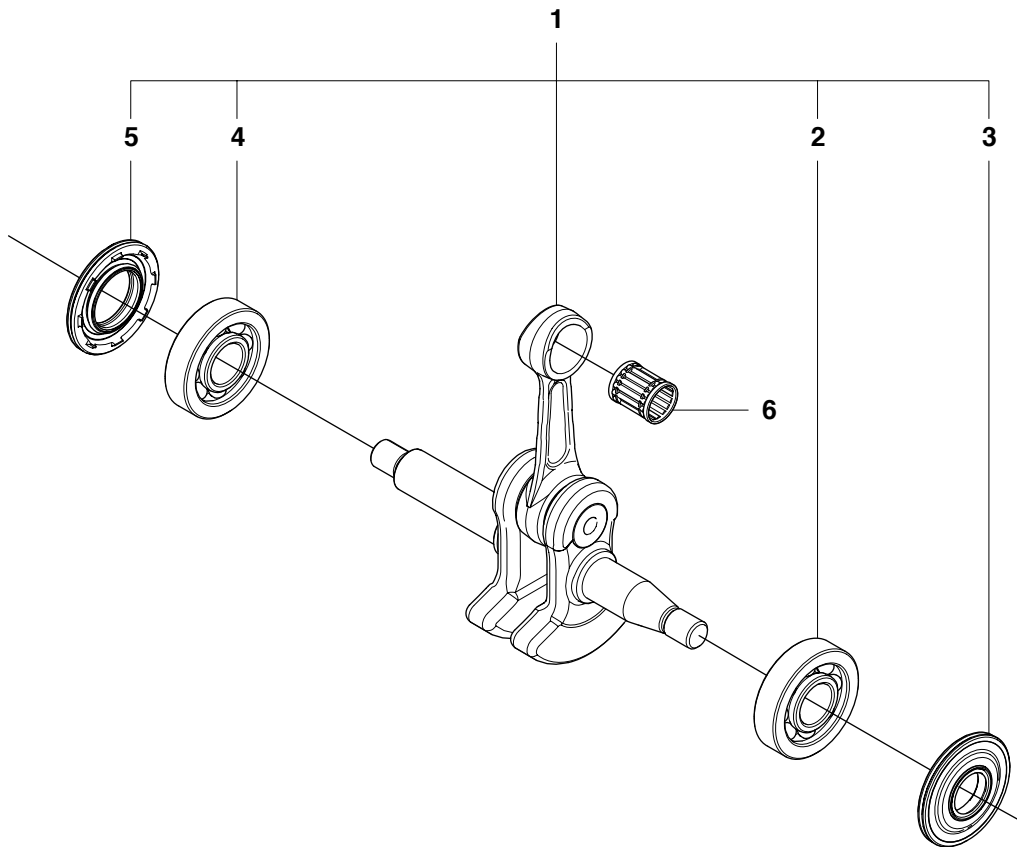
H1 435, 435e
CYLINDER PISTON



(A) 504 79 40-01
Set of gaskets

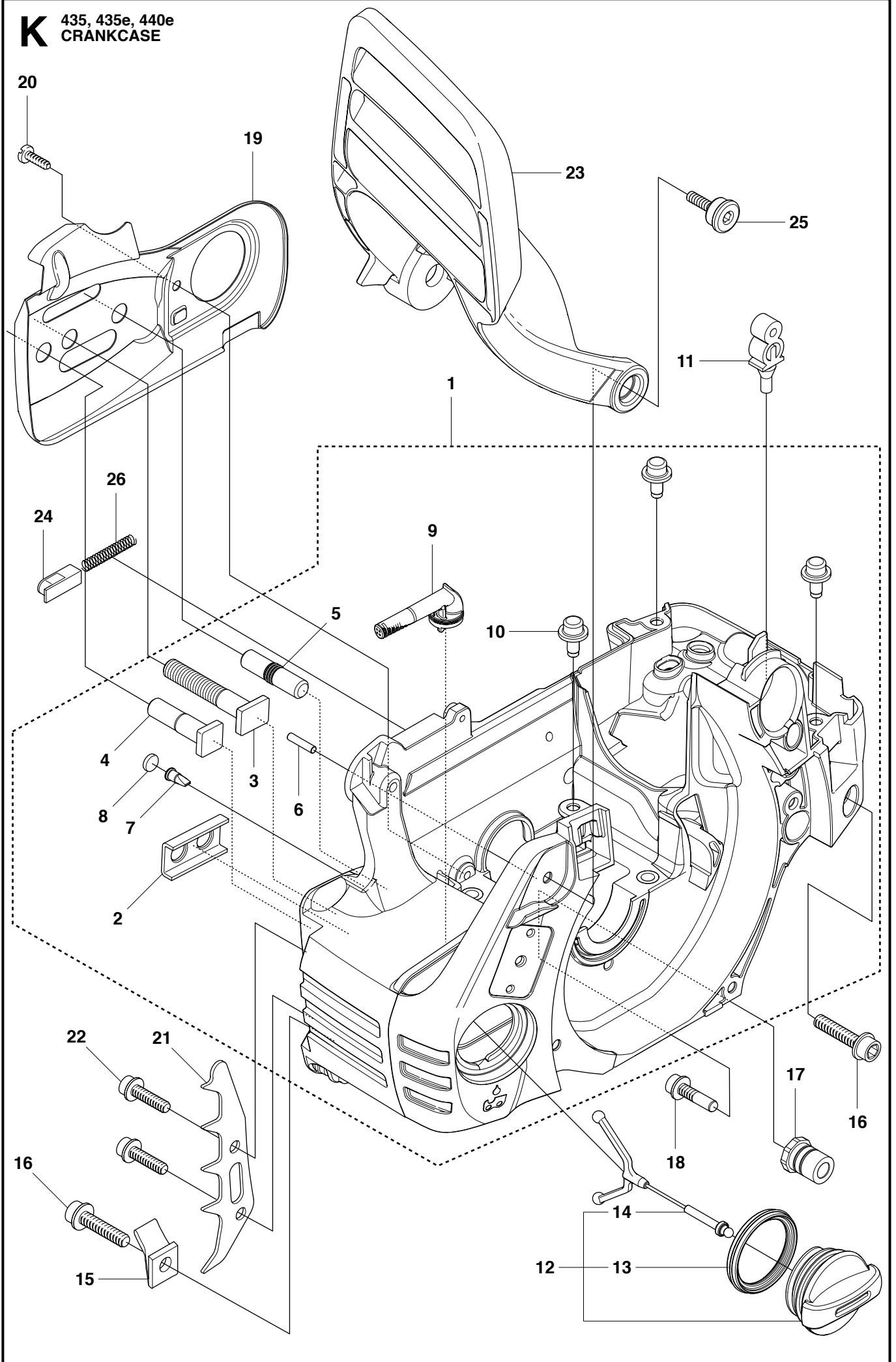
| Position | Article | Quantity | Notes | Kit |
|----------|--------------|----------|------------------------|-----|
| 1 | 504 73 51-02 | 1 | Cylinder assy | |
| 2 | 502 62 50-02 | 1 | Piston assy | 1 |
| 3 | 544 40 59-01 | 1 | Piston ring | 2 |
| 4 | 544 40 60-01 | 1 | Piston pin | 2 |
| 5 | 537 39 99-01 | 2 | Circlip | 2 |
| 6 | 503 41 41-01 | 1 | Needle bearing | 1 |
| 7 | 544 39 60-01 | 1 | Gasket, cylinder rear | 11 |
| 8 | 544 39 59-01 | 1 | Gasket, cylinder front | 11 |
| 9 | 725 53 33-55 | 4 | Screw | |
| 10 | 503 23 51-11 | 1 | Spark plug | |
| 11 | 504 79 40-01 | 1 | Set of gaskets | |

J 435, 435e, 440e
CRANKSHAFT



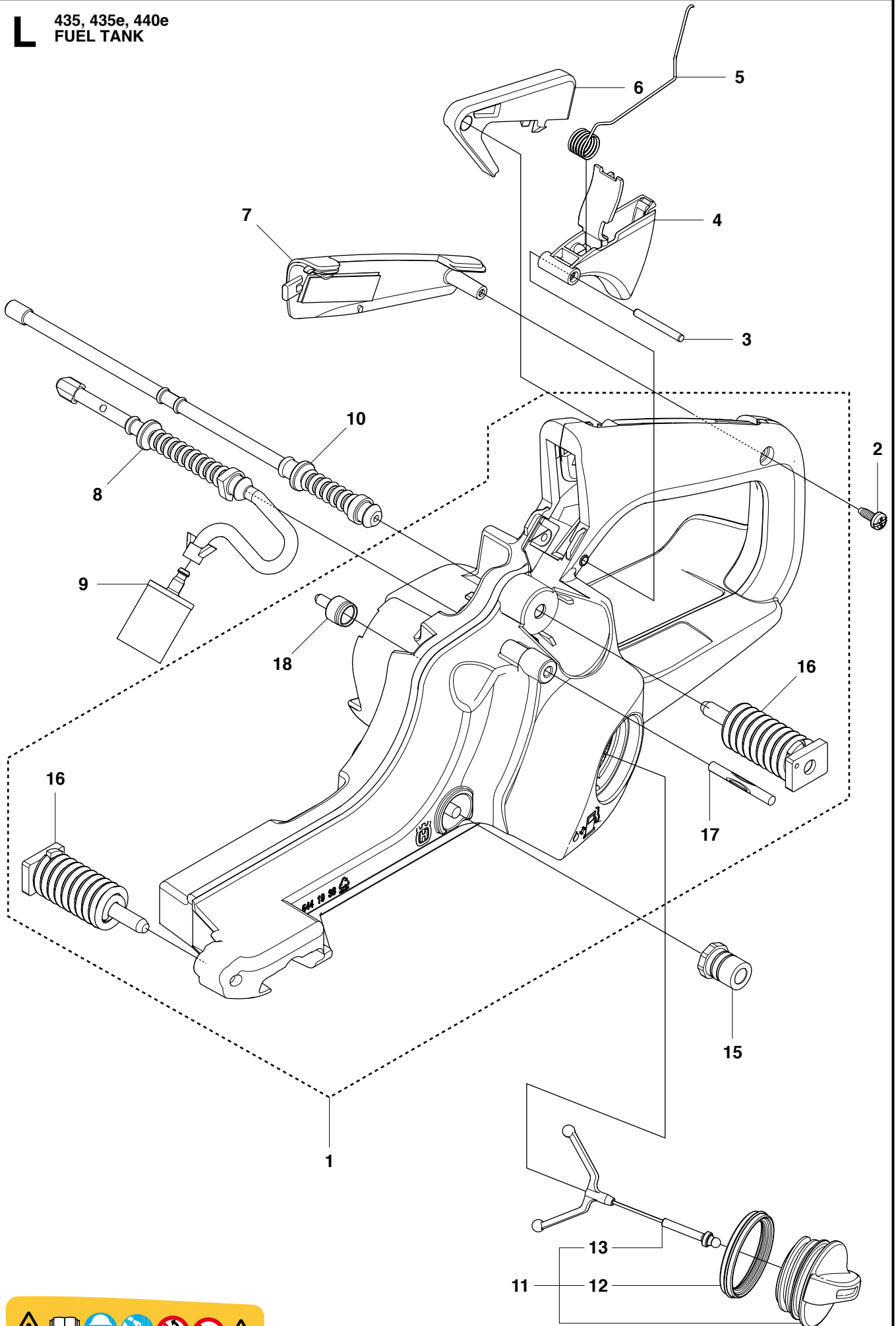
| Position | Article | Quantity | Notes | Kit |
|----------|--------------|----------|-------------------------|-----|
| 1 | 544 34 38-01 | 1 | Crankshaft | |
| 2 | 544 24 87-02 | 1 | Ball bearing 6001 OD32 | 1 |
| 3 | 544 25 12-01 | 1 | Sealing 12x32x3,7 | 1 |
| 4 | 544 24 88-02 | 1 | Ball bearing 6001 OD32w | 1 |
| 5 | 544 25 13-01 | 1 | Sealing 16,6x32,3,7 | 1 |
| 6 | 503 41 41-01 | 1 | Needle bearing | |

K 435, 435e, 440e
CRANKCASE



| Position | Article | Quantity | Notes | Kit |
|----------|--------------|----------|-------------------|-----|
| 1 | 544 93 25-01 | 1 | Crankcase assy | |
| 2 | 503 87 58-02 | 1 | Stiffening plate | 1 |
| 3 | 503 87 54-02 | 1 | Bar bolt | 1 |
| 4 | 537 33 46-01 | 1 | Bar bolt | 1 |
| 5 | 544 03 64-01 | 1 | Bar bolt | 1 |
| 6 | 503 24 09-05 | 1 | Needle roller | 1 |
| 7 | 530 02 61-19 | 1 | Check valve | 1 |
| 8 | 537 40 35-01 | 1 | Filter | 1 |
| 9 | 544 08 33-01 | 1 | Oil screen | 1 |
| 10 | 544 33 16-01 | 3 | Guide pin | 1 |
| 11 | 503 86 93-01 | 1 | Support | |
| 12 | 544 11 12-01 | 1 | Tank cap assy | |
| 13 | 537 21 50-01 | 1 | Sealing | 12 |
| 14 | 503 57 89-01 | 1 | Holder | 12 |
| 15 | 503 88 63-01 | 1 | Chain catcher pin | |
| 16 | 503 21 88-76 | 2 | Screw | |
| 17 | 501 00 76-01 | 1 | Lateral support | |
| 18 | 503 21 51-03 | 1 | Screw | |
| 19 | 544 28 46-01 | 1 | Chain guide plate | |
| 20 | 503 21 70-10 | 1 | Screw | |
| 21 | 544 28 65-01 | 1 | Spike inner | |
| 22 | 503 21 75-20 | 2 | Screw | |
| 23 | 544 25 15-01 | 1 | Hand guard | |
| 24 | 503 89 24-01 | 1 | Catch | |
| 25 | 503 89 30-01 | 2 | Screw | |
| 26 | 503 43 65-01 | 1 | Lock spring | |

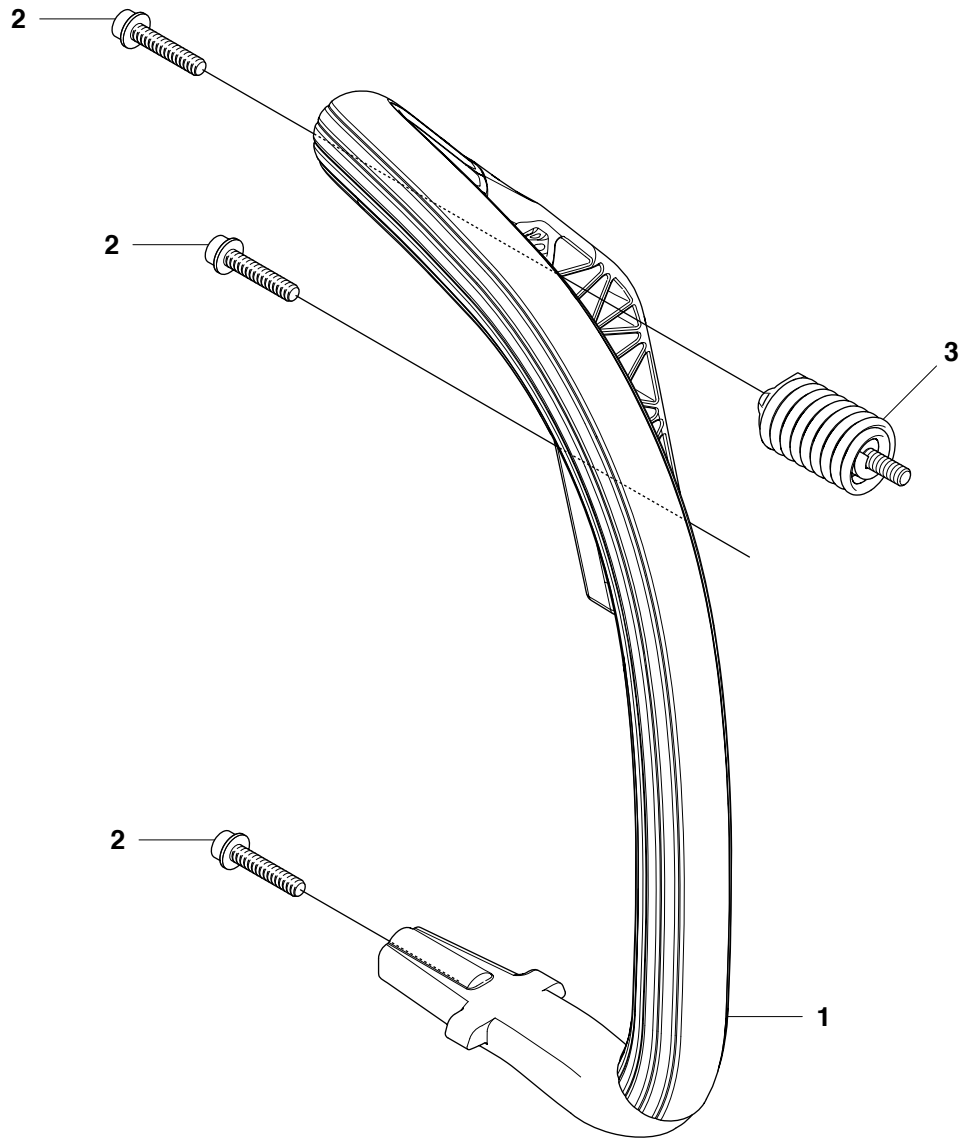
L 435, 435e, 440e
FUEL TANK



14

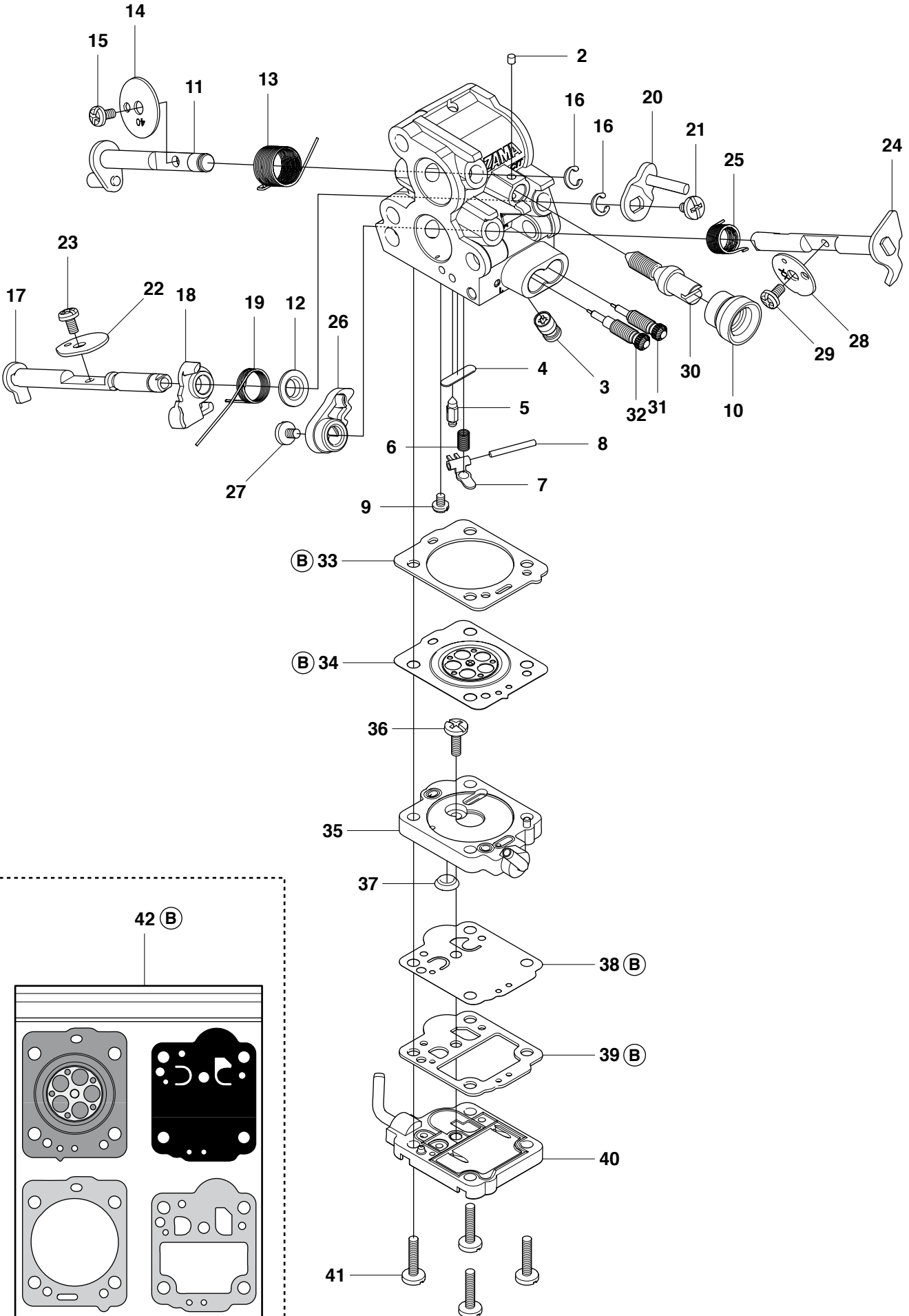
| Position | Article | Quantity | Notes | Kit |
|----------|--------------|----------|-----------------------|-----|
| 1 | 544 19 38-05 | 1 | Fuel tank assy | |
| 2 | 503 21 28-10 | 1 | Screw | |
| 3 | 720 18 25-20 | 1 | Pin | |
| 4 | 544 96 85-01 | 1 | Throttle control | |
| 5 | 544 09 99-01 | 1 | Spring | |
| 6 | 544 28 41-01 | 1 | Throttle lockout | |
| 7 | 544 28 49-01 | 1 | Handle insert | |
| 8 | 544 12 86-01 | 1 | Fuel hose | |
| 9 | 503 44 32-01 | 1 | Filter mix | |
| 10 | 544 12 97-01 | 1 | Return hose | |
| 11 | 544 11 12-01 | 1 | Tank cap assy | |
| 12 | 537 21 50-01 | 1 | Sealing | 11 |
| 13 | 503 57 89-01 | 1 | Holder | 11 |
| 14 | 544 37 50-01 | 1 | Decal warning | |
| 15 | 501 00 76-01 | 1 | Lateral support | |
| 16 | 504 79 56-01 | 2 | Antivibration element | 1 |
| 17 | 721 12 63-39 | 1 | Grooved pin | 1 |
| 18 | 537 35 95-01 | 1 | Fuel tank vent | 1 |

M 435, 435e, 440e
HANDLE



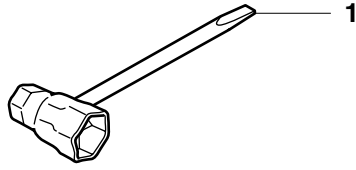
| Page M | | 435, 435e, 440e | | HANDLE | |
|-----------------|----------------|------------------------|-----------------------|---------------|--|
| Position | Article | Quantity | Notes | Kit | |
| 1 | 544 28 40-01 | 1 | Front handle | | |
| 2 | 503 21 88-76 | 3 | Screw | | |
| 3 | 503 89 83-01 | 1 | Antivibration element | | |

1



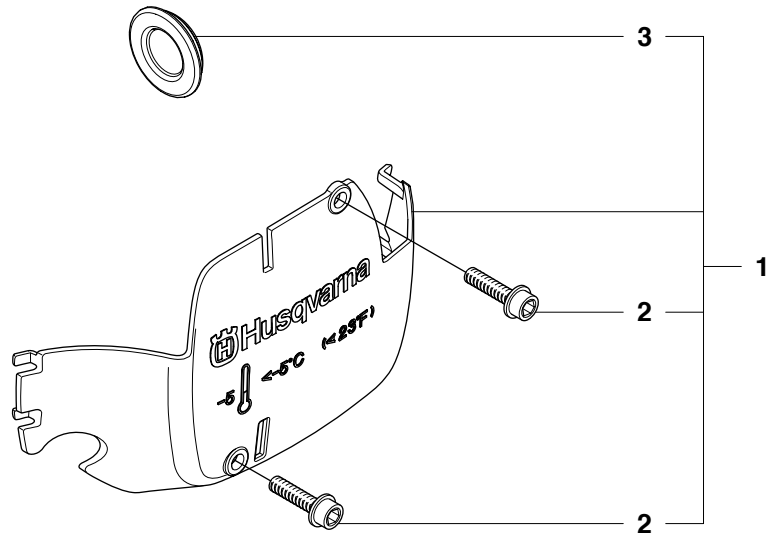
| Page N | | 435, 435e, 440e | | | CARBURETOR | |
|----------|--------------|-----------------|--------------------|-------|------------|--|
| Position | Article | Quantity | Notes | Kit | | |
| 1 | 506 45 05-01 | 1 | Zama C1T-EL41 | | | |
| 2 | 503 48 11-01 | 1 | Piece | 1 | | |
| 3 | 504 02 40-01 | 1 | Nozzle assy | 1 | | |
| 4 | 503 53 56-01 | 1 | Plug welch | 1 | | |
| 5 | 503 47 97-01 | 1 | Valve | 1 | | |
| 6 | 537 02 03-01 | 1 | Spring | 1 | | |
| 7 | 503 66 59-01 | 1 | Lever | 1 | | |
| 8 | 503 48 00-01 | 1 | Pin retaning screw | 1 | | |
| 9 | 504 02 41-01 | 1 | Screw | 1 | | |
| 10 | 505 53 52-01 | 1 | Cap | 1 | | |
| 11 | 504 02 61-01 | 1 | Shaft assy | 1 | | |
| 12 | 505 11 07-01 | 1 | Collar | 1 | | |
| 13 | 504 02 85-01 | 1 | Spring | 1 | | |
| 14 | 504 02 75-01 | 1 | Valve | 1 | | |
| 15 | 503 48 18-01 | 2 | Screw | 1 | | |
| 16 | 504 02 67-01 | 2 | Circlip | 1 | | |
| 17 | 504 02 62-01 | 1 | Shaft assy | 1 | | |
| 18 | 540 05 37-01 | 1 | Lever | 1 | | |
| 19 | 504 02 83-01 | 1 | Spring | 1 | | |
| 20 | 504 02 63-01 | 1 | Lever | 1 | | |
| 21 | 503 47 90-01 | 2 | Screw | 1 | | |
| 22 | 504 02 74-01 | 1 | Valve | 1 | | |
| 23 | 503 48 18-01 | 2 | Screw | 1 | | |
| 24 | 504 02 60-01 | 1 | Shaft assy | 1 | | |
| 25 | 504 02 84-01 | 1 | Spring | 1 | | |
| 26 | 544 98 31-01 | 1 | Lever | 1 | | |
| 27 | 503 47 90-01 | 2 | Screw | 1 | | |
| 28 | 504 02 76-01 | 1 | Valve | 1 | | |
| 29 | 503 47 92-01 | 1 | Screw | 1 | | |
| 30 | 504 02 73-01 | 1 | Screw | 1 | | |
| 31 | 504 90 92-01 | 1 | Screw | 1 | | |
| 32 | 504 02 81-01 | 1 | Screw | 1 | | |
| 33 | 504 02 43-01 | 1 | Gasket | 1, 42 | | |
| 34 | 504 02 45-01 | 1 | Diaphragm | 1, 42 | | |
| 35 | 504 02 46-01 | 1 | Body | 1 | | |
| 36 | 504 02 82-01 | 1 | Screw | 1 | | |
| 37 | 504 02 50-01 | 1 | Strainer | 1 | | |
| 38 | 504 02 56-01 | 1 | Diaphragm | 1, 42 | | |
| 39 | 504 02 57-01 | 1 | Gasket | 1, 42 | | |
| 40 | 504 02 59-01 | 1 | Cover | 1 | | |
| 41 | 504 02 78-01 | 4 | Screw | 1 | | |
| 42 | 504 02 86-01 | 1 | Set of gaskets | | | |

P 435, 435e, 440e
ACCESSORIES

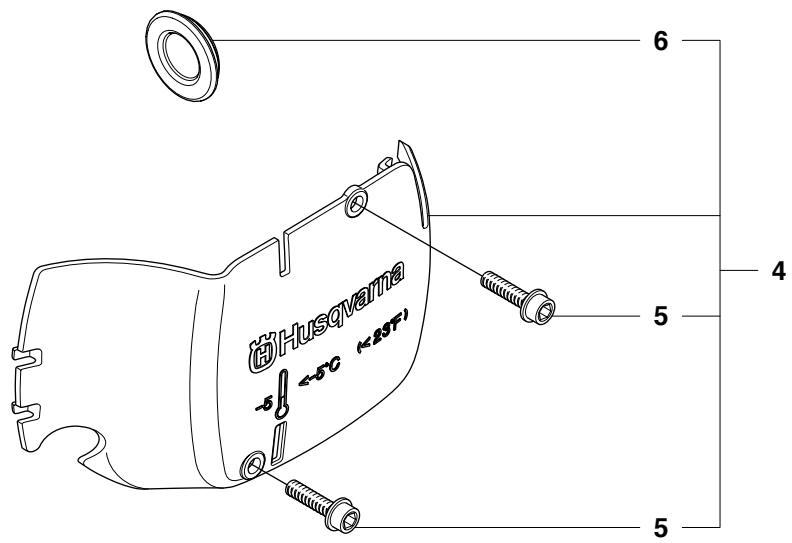


| Page P | | 435, 435e, 440e | | ACCESSORIES | |
|-----------------|----------------|------------------------|--------------|--------------------|--|
| Position | Article | Quantity | Notes | Kit | |
| 1 | 503 55 85-04 | 1 | Tool | | |

Q 435
WINTER KIT



Q 435e, 440e
WINTER KIT



| Position | Article | Quantity | Notes | Kit |
|-----------------|----------------|-----------------|--------------------|------------|
| 1 | 505 45 04-01 | 1 | Winter kit | |
| 2 | 503 21 70-16 | 2 | Screw | 1 |
| 3 | 503 40 59-01 | 1 | Winter plug | 1 |
| 4 | 505 45 04-02 | 1 | Winter kit, elasto | |
| 5 | 503 21 70-16 | 2 | Screw | 2 |
| 6 | 503 40 59-01 | 1 | Winter plug | 2 |