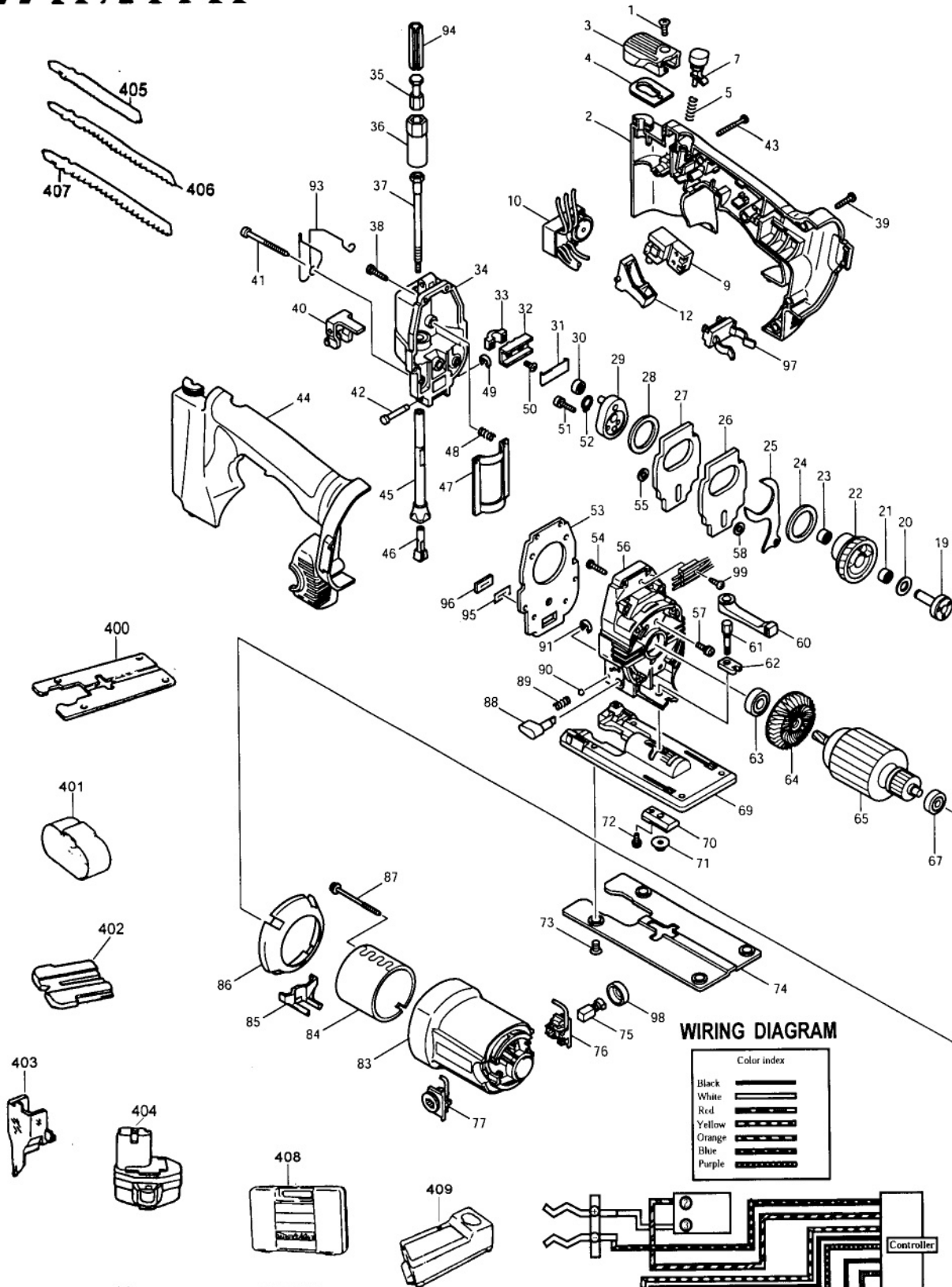




CORDLESS JIG SAW

Model 4334DWD



IMPORTANT - To assure product SAFETY and RELIABILITY, repairs, maintenance or adjustments should be performed by MAKITA service Centers or other qualified service organizations. Always use MAKITA replacement parts.

Fig.	Part No.	Q'ty Used	Description	Fig.	Part No.	Q'ty Used	Description
1	912102-9	1	COUNTERSUNK HEAD SCREW M4X6				(Incl. 1ea. 256143-8 Pin 6; 3ea. 256235-3
2	183302-0	1	HANDLE SET(Incl. Fig. 44)				Pin 5; 1ea. 263002-9 Rubber Pin 4; &
3	416370-1	1	LEVER 51				2ea. 951051-5 Spring PIN 3-8)
4	344331-0	1	INNER LEVER	57	911111-5	3	PAN HEAD SCREW M4X10
5	233194-8	1	COMPRESSION SPRING 4	58	253715-0	1	FLAT WASHER 6
7	416644-0	1	SWITCH BUTTON	60	272232-1	1	LEVER 65
9	651976-0	1	SWITCH TG73BD	61	265434-6	1	HEX. BOLT M5X24
10	631373-6	1	CONTROLLER	62	344332-8	1	NUT M6
12	416642-4	1	SWITCH LEVER	63	211031-6	1	BALL BEARING 608LLB
19	322691-0	1	GEAR SHAFT	64	241875-0	1	FAN 54
20	253139-0	1	FLAT WASHER 8	65	519064-8	1	ARMATURE ASS'Y
21	212043-2	1	NEEDLE BEARING 810				(Incl. Fig. 63, 64, & 67)
22	226538-9	1	HELICAL GEAR	67	211021-9	1	BALL BEARING 607LLB
23	212043-2	1	NEEDLE BEARING 810	69	316777-0	1	BASE
24	253792-2	1	FLAT WASHER 26	70	344333-6	1	CLAMP PLATE
25	344134-2	1	PUSH PLATE	71	252142-8	1	HEX.NUT FLANGE M5
26	344330-2	1	BALANCE PLATE	72	911109-2	1	PAN HEAD SCREW M4X8
27	344330-2	1	BALANCE PLATE	73	912202-5	4	COUNTERSUNK HEAD SCREW M5X8
28	253792-2	1	FLAT WASHER 26	74	344443-9	1	BASE PLATE
29	152454-8	1	CRANK COMPLETE (Incl. 256033-5 Pin 6)	75	191970-5	1	CARBON BRUSH CB-429
30	212010-7	1	NEEDLE BEARING 607	76	643976-4	1	BRUSH HOLDER R
31	344232-2	1	THRUST PLATE	77	643977-2	1	BRUSH HOLDER L
32	310028-3	1	SLIDER	83	183324-0	1	MOTOR HOUSING SET (Incl. Fig. 81)
33	316608-3	1	HOLDER	84	632828-4	1	YOKE UNIT
34	151596-5	1	GEAR HOUSING COVER COMPLETE (Incl. 1ea. 214005-6 Plane bearing 8; 2ea. 951057-3 Spring Pin 3-12)	85	415879-0	1	AIR CAP
35	324097-8	1	CONNECTOR	86	415878-2	1	BAFFLE PLATE
36	416351-5	1	JOINT	87	266209-6	2	TAPPING SCREW 4X60
37	322826-3	1	DRIVER ROD	88	272231-3	1	LEVER 17
38	266034-5	2	TAPPING SCREW CT 4X16	89	233151-6	1	COMPRESSION SPRING 4
39	265995-6	5	TAPPING SCREW 4X18	90	216008-6	1	STEEL BALL 4
40	151426-0	1	RETAINER COMPLETE (Incl. 256667-4 Pin 4; 322709-7 Roller; 961017-7 Stop Ring E-3)	91	961018-5	1	STOP RING E-5
41	266147-2	2	TAPPING SCREW 4X55	93	322893-8	1	SAFETY WIRE
42	256693-3	1	PIN 4	94	344537-0	1	HEX. SLEEVE
43	266048-4	1	TAPPING SCREW 4X40	95	344784-3	1	SEAL PLATE
44	183302-0	1	HANDLE SET (Incl. Fig. 2)	96	443106-5	1	FELT 10-20
45	168282-1	1	ROD	97	643918-8	1	BATTERY HOLDER
46	310005-5	1	BLADE FIX	98	643941-3	2	BRUSH HOLDER CAP
47	344137-6	1	SLIDE PLATE	99	911006-2	1	PAN HEAD SCREW M3X8
48	233151-6	2	COMPRESSION SPRING 4				<u>ACCESSORIES</u>
49	961017-7	1	STOP RING E-3	400	413068-1	1	BASE PLATE
50	265035-0	2	COUNTERSUNK HEAD SCREW M4X10	401	414938-7	1	BATTERY COVER
51	922126-7	2	HEX. SOCKET HEAD BOLT M4X16	402	415524-7	1	ANTI-SPLINTERING DEVICE
52	961004-6	1	RETAINING RING S-8	403	415887-1	1	PROTECTOR
53	442123-2	1	PACKING	404	193159-1	1	BATTERY 1834
54	265995-6	2	TAPPING SCREW 4X18	405	792473-8	1	JIG SAW BLADE B-22
55	253715-0	1	FLAT WASHER 6	406	792529-7	1	JIG SAW BLADE B-10
56	152771-6	1	GEAR HOUSING COMPLETE	407	792729-9	1	JIG SAW BLADE BR-13
				408	824553-3	1	PLASTIC CARRYING CASE (Incl. 2ea. 416661-0 Latch)
				409	DC1801	1	BATTERY CHARGER