



# ELECTRONIC JIG SAW

## Model 4302C

**IMPORTANT** — To assure product **SAFETY** and **RELIABILITY**, repairs, maintenance or adjustments should be performed by **MAKITA Service Centers** or other qualified service organizations. Always use **MAKITA** replacement parts.

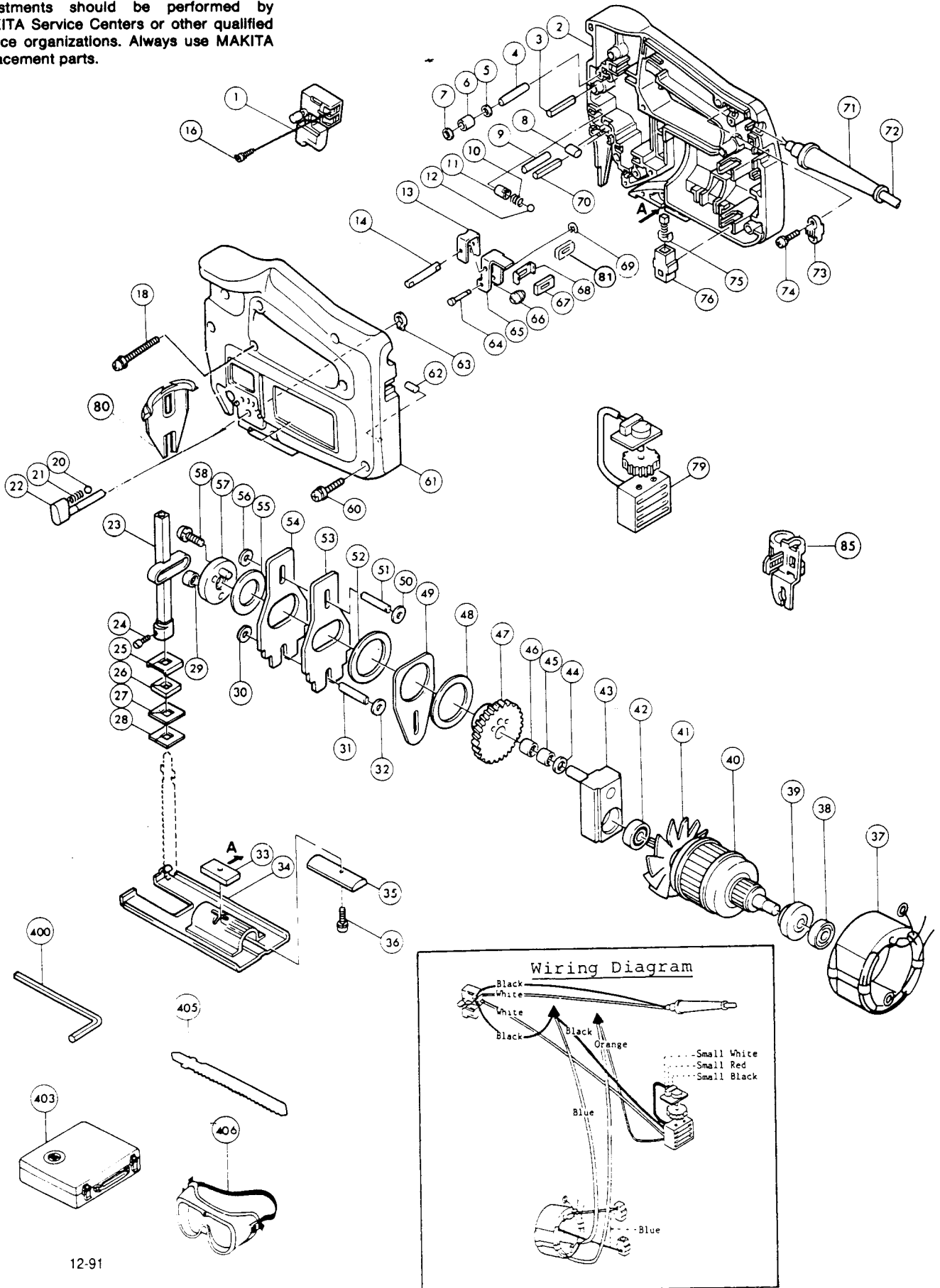


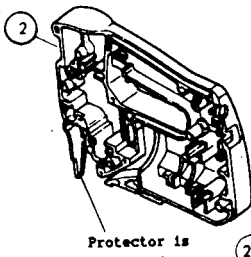
Fig.	Part No.	No. Used	Description	Fig.	Part No.	No. Used	Description
1	651216-6	1	SWITCH	45	212005-0	1	NEEDLE BEARING 810
2	.	1	HOUSING SET (Include fig. 61, 62)	46	212005-0	1	NEEDLE BEARING 810
3	256171-3	1	PIN 5	47	221752-2	1	HELICAL GEAR 65
4	256169-0	1	PIN 5	48	253880-5	1	FLAT WASHER 35
5	267034-8	1	FLAT WASHER 5	49	343379-9	1	PUSH PLATE
6	321988-4	1	ROLLER	50	253804-1	1	FLAT WASHER 6
7	267034-8	1	FLAT WASHER 5	51	256170-5	1	PIN 6
8	256172-1	4	PIN 6	52	253880-5	1	FLAT WASHER 35
9	256171-3	1	PIN 5	53	343380-4	1	BALANCE PLATE
10	231429-1	1	COMPRESSION SPRING 4	54	343380-4	1	BALANCE PLATE
11	322105-9	1	SPRING GUIDE	55	253122-7	1	FLAT WASHER 26
12	216011-7	1	STEEL BALL 5.6	56	253804-1	1	FLAT WASHER 6
13	343424-0	1	SPACER	57	152243-1	1	CRANK COMPLETE
14	256167-4	1	PIN 4	58	911221-8	2	PAN HEAD SCREW M5x18
16	652008-6	4	SCREW M3.5x7	60	911243-8	6	PAN HEAD SCREW M5x25
18	911268-2	3	PAN HEAD SCREW M5x45	61	.	1	HOUSING SET (Include fig. 2, 62)
20	216008-6	1	STEEL BALL 4	62	263002-9	1	RUBBER PIN 4
21	231314-8	1	COMPRESSION SPRING 4	63	961002-0	1	RETAINING RING S-6
22	272220-8	1	LEVER 25	64	256640-4	1	PIN 4
23	168182-5	1	SLIDER	65	343378-1	1	RETAINER
24	265894-2	1	HEX. BOLT M6x8	66	321989-2	1	ROLLER
25	343408-8	1	DUST PLATE	67	.	1	SPONGE SHEET
26	421318-0	1	DUST SEAL	68	.	1	DUST PLATE
27	253340-7	1	THIN WASHER 9	69	961017-7	1	STOP RING E-3
28	.	1	FIBER WASHER 9	70	256171-3	1	PIN 5
29	212010-7	1	NEEDLE BEARING 607	71	682502-4	1	CORD GUARD
30	253804-1	1	FLAT WASHER 6	72	664064-4	1	CORD With Plug (2x18x8;SJ)
31	256170-5	1	PIN 6	73	687002-9	1	STRAIN RELIEF
32	253804-1	1	FLAT WASHER 6	74	911133-5	2	PAN HEAD SCREW M4x18
33	343377-3	1	BASE HOLDER	75	643116-4	2	CARBON BRUSH (CB-116)
34	164829-9	1	BASE	76	643605-9	2	BRUSH HOLDER
35	315953-3	1	CLAMP PLATE	79	631079-6	1	CONTROLLER
36	922126-7	1	HEX. BOLT M4x16	80	.	1	PROTECTOR
37	622646-8	1	FIELD ASSY	81	.	1	DUST SEAL
38	211033-2	1	BALL BEARING 608LB	85	410048-8	1	HEX WRENCH HOLDER
39	681627-1	1	INSULATION WASHER				<b>ACCESSORIES</b>
40	612906-6	1	ARMATURE ASSY (Assembled fig. 38, 39 & 42)	400	783201-2	1	HEX. WRENCH 3
41	241044-3	1	FAN 68	403	181967-2	1	STEEL TOOL CASE
42	211033-2	1	BALL BEARING 608LB	405	792428-3	1	JIG SAW BLADE #51
43	152304-7	1	BEARING CASE	405	792429-1	1	JIG SAW BLADE #58
44	253165-9	1	FLAT WASHER 8	405	792430-6	1	JIG SAW BLADE #59
				406	191686-2	1	SAFETY GOGGLES

**SERVICE CHANGE**

\*SEE SERVICE CHANGE 1

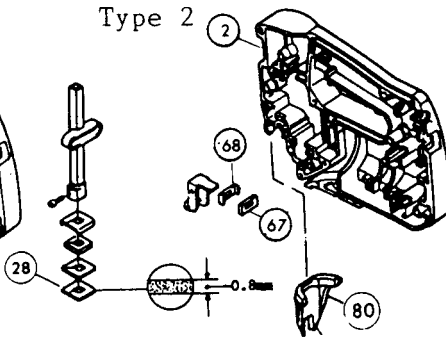
1. Change on Housing Set.

Type 1

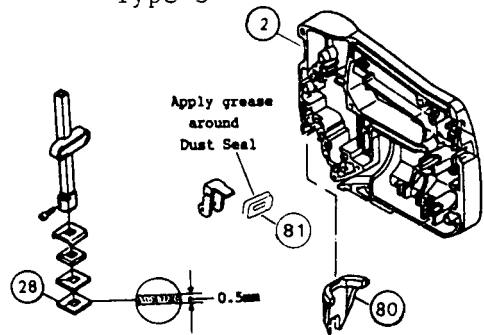


Protector is Molded

Type 2



Type 3



Apply grease around Dust Seal

Fig.	Description	Type 1	Type 2	Type 3
2&61	Housing Set	Part #181923-2 (Discontinued)	Part #182005-3 (Discontinued)	Part #182005-3A
28	Fiber Washer		Part #261070-6	Part #261080-3
67	Sponge Sheet		Part #423150-8	
68	Dust Plate		Part #343409-6	
80	Protector			Part #414131-3
81	Dust Seal			Part #421353-8

The above items are interchangeable as a set.