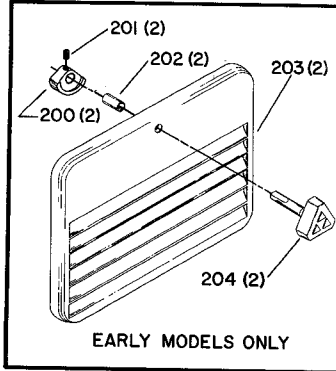
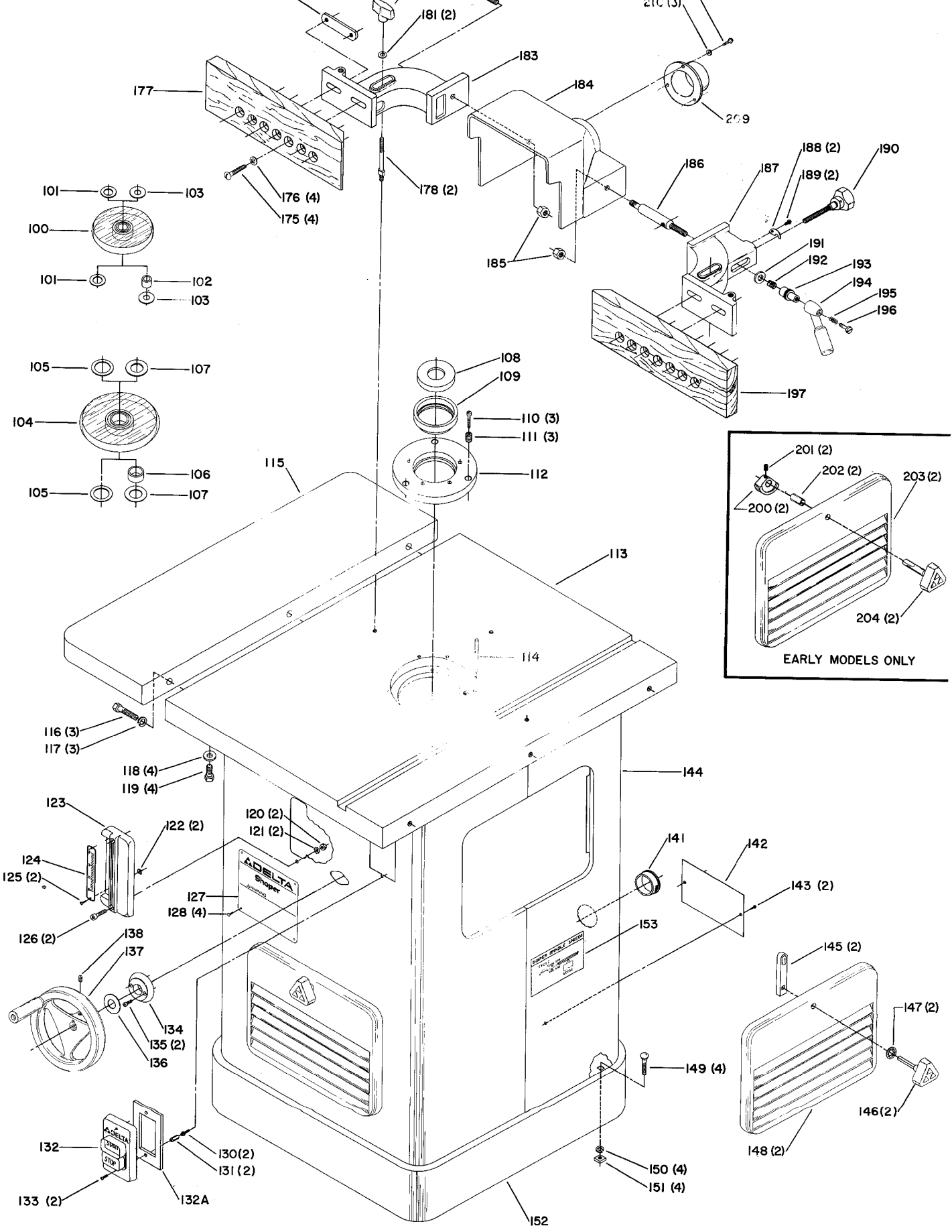


MOTOR PLATE AREA
 CONFIGURATION FOR UNITS
 WITH SERIAL NO. 87A62978
 AND LOWER



Parts List for 43-370 Type 2

Item Number	Part Number	Description	Qty Required
1	432024035001	FLANGE ASSY	1
2	904020201705	LOCK WASHER	3
3	901010600672	CAP SCREW	3
4	432020120001	SPINDLE HOUSING ASSY	1
5	902010101300S	HEX NUT	1
6	901041931403	SET SCREW	1
7	432021045001	SPACER	1
8	422040755001S	POINTER	1
9	000000-00	No Longer Available	1
10	000000-00	No Longer Available	1
11	902012012575	HEX NUT	1
12	000000-00	No Longer Available	1
13	952011113261	TIE ROD	1
14	902012012584	SPECIAL NUT	1
15	000000-00	No Longer Available	1
16	902011313082	SPEC NUT	1
17	904050106662S	SPECIAL KEYED WASHER	1
18	904100314506	1/2 SPACER	1
19	904100314507	3/4 SPACER	1
20	904100314508	1 SPACER	1
21	432021105001	HEX GUIDE POST	1
22	904020201704S	LOCK WASHER	1
23	901010600646S	CAP SCREW	1
24	904010312905S	FLAT WASHER	1
25	000000-00	No Longer Available	1
26	901041500206	SET SCREW	1
27	432021055002S	RAISING NUT	1

Parts List for 43-370 Type 2

Item Number	Part Number	Description	Qty Required
28	000000-00	No Longer Available	1
29	905050402106S	COTTER PIN	1
30	432021220001S	SPRING	1
31	901042601528S	THUMB SCREW	1
32	901042601528S	THUMB SCREW	1
33	901030408015S	CAP SCREW	2
34	491957-00	LOCK WASHER	2
35	432020315001	COVER PLATE	1
36	000000-00	No Longer Available	1
37	904100314514	COLLAR	1
38	920040107273	BEARING	1
39	904020101716	LOCK WASHER	1
40	000000-00	No Longer Available	1
41	000000-00	No Longer Available	1
42	920750112794	BUSHING	1
43	920750113933	BUSHING	1
44	904010101620S	WASHER	1
45	901010600605	CAP SCREW	1
46	000000-00	No Longer Available	5
47	000000-00	No Longer Available	1
48	905010102715	ROLL PIN	1
49	422040740001S	PLUG	2
50	422044120009S	LOCK KNOB	1
51	927030102650S	KEY	1
52	000000-00	No Longer Available	1
53	927011002606S	HI-PRO KEY	1
54	41-107	2-SPEED SPINDLE PULL	1

Parts List for 43-370 Type 2

Item Number	Part Number	Description	Qty Required
55	432020790001S	RETAINER	1
56	902070307171S	SPEC NUT	1
57	904150607443	RET RING	2
58	932010102860	BUSHING	2
59	000000-00	No Longer Available	1
60	432020795001	RETAINER	1
61	904010101611	STEEL WASHER	1
62	928070107378	FINGER SPRING WASHER	1
63	432021060001	SHAFT	1
64	432020165001	BUMPER	1
65	000000-00	No Longer Available	1
66	902012012579	SPEC NUT	1
67	901110200830S	CARRIAGE BOLT	4
68	904100313810	STEEL WASHER	4
69	000000-00	No Longer Available	1
69	000000-00	No Longer Available	1
70	901041500206	SET SCREW	2
71	49-101	V-BLT 29-1/8 IN OC	1
72	902010101300S	HEX NUT	4
73	904020101703S	LOCK WASHER	4
74	904010101604S	STEEL WASHER	4
75	000000-00	No Longer Available	1
76	902012018553	NUT	1
77	904050106674	SPECIAL KEYED WASHER	1
78	432021050002	1/2IN COLLAR	1
79	432021050004	1/2 COLLAR	1
80	927011002606S	HI-PRO KEY	1

Parts List for 43-370 Type 2

Item Number	Part Number	Description	Qty Required
81	41-107	2-SPEED SPINDLE PULL	1
82	432020790001S	RETAINER	1
83	902070307171S	SPEC NUT	1
84	000000-00	No Longer Available	1
85	955010401485S	OPEN-END WRENCH	1
86	955010200023	BOX-END WRENCH	1
87	955010501467S	COMBINATION WRENCH	2
88	905050402106S	COTTER PIN	2
89	000000-00	No Longer Available	1
90	432020795001	RETAINER	3
91	932010102860	BUSHING	3
92	434014040001	COLLAR W SCRW	1
93	901041500206	SET SCREW	1
94	000000-00	No Longer Available	1
95	902012012579	SPEC NUT	1
96	000000-00	No Longer Available	1
97	931010114091	BALL HANDLE	1
100	000000-00	No Longer Available	1
101	432021040006	SPACER	2
102	432020170004	BUSHING	1
102	000000-00	No Longer Available	1
103	432021040008	SPACER	2
104	000000-00	No Longer Available	1
105	432021040007	SPACER	2
106	000000-00	No Longer Available	1
106	000000-00	No Longer Available	1
107	432021040010	SPACER	2

Parts List for 43-370 Type 2

Item Number	Part Number	Description	Qty Required
108	000000-00	No Longer Available	1
109	432020635001S	INSERT	1
110	000000-00	No Longer Available	3
111	432021125002	SPEC SCREW	3
112	000000-00	No Longer Available	1
113	000000-00	No Longer Available	1
114	905030131493	TAPERED PIN	1
115	000000-00	No Longer Available	1
116	901010600681	CAP SCREW	3
117	904020101716	LOCK WASHER	3
118	904100312097S	SPECIAL WASHER	4
119	901010600680	CAP SCREW	4
120	489026-00	HEX NUT	2
121	904030301757S	LOCK WASHER	2
122	902020401301	SQUARE NUT	2
123	432020140001	BRACKET W/SCALE	1
124	432020140001	BRACKET W/SCALE	1
125	000000-00	No Longer Available	2
126	901030103345S	CAP SCREW	2
127	000000-00	No Longer Available	1
128	1087794	RIVET	4
130	402071115002S	STUD	2
131	402071045007S	SPACER	2
132	1340100	SWITCH COVER ASSY	1
132	422041160001S	GASKET	1
133	901020100567S	MACHINE SCREW	2
134	432020315002	COVER	1

Parts List for 43-370 Type 2

Item Number	Part Number	Description	Qty Required
135	901030103318S	SCREW	2
136	904070105569	FIBRE WASHER	1
137	422044000005S	HANDWHEEL	1
138	901041500206	SET SCREW	1
141	438010110020	INSULATOR	1
142	000000-00	No Longer Available	1
143	000000-00	No Longer Available	2
144	000000-00	No Longer Available	1
145	422040680001	LATCH	2
146	422044060004	SHAFT W/KNOB	2
147	902030231467	PUSH NUT	2
148	422043310003	DOOR	2
148	422044030005	DOOR ASSY.	1
149	901110200834S	CARRIAGE BOLT	4
150	904020101703S	LOCK WASHER	4
151	902020401303S	SQUARE NUT	4
152	1087066	BASE	1
153	432027540003	SPEED CHART	1
175	000000-00	No Longer Available	4
176	904010101620S	WASHER	4
177	432020430004	L.H. FENCE	1
178	432011110003	STUD	2
179	432010040003S	CLAMP PLATE	2
180	424120600005S	KNOB	2
181	904010312937	WASHER	1
182	901010600633	CAP SCREW	1
183	432010890013	FENCE BODY LH	1

Parts List for 43-370 Type 2

Item Number	Part Number	Description	Qty Required
184	000000-00	No Longer Available	1
185	902012012579	SPEC NUT	1
186	432011110004	STUD	1
187	432010890012	FENCE BODY RH	1
188	432010470001	HALF COLLAR FLINGER	2
189	491948-00	SCREW	2
190	1087647	KNOB ASSY	1
191	904100312097S	SPECIAL WASHER	1
192	928010214125	SPRING	1
193	432010270004	SERRATED NUT	1
194	406030330001S	HANDLE	1
195	406031220002	SPRING	1
196	406031120003	SPECIAL SCREW	1
197	432020430003	R.H. FENCE	1
200	422040195001	CAM	2
201	901041500206	SET SCREW	2
202	422043680001	LATCH ASSY	2
203	422043310003	DOOR	2
203	422044030005	DOOR ASSY.	1
204	422043680001	LATCH ASSY	2
209	000000-00	No Longer Available	1
210	904010101610S	STEEL WASHER	3
211	901020100582	MACHINE SCREW	3