



SERVICE PARTS LIST

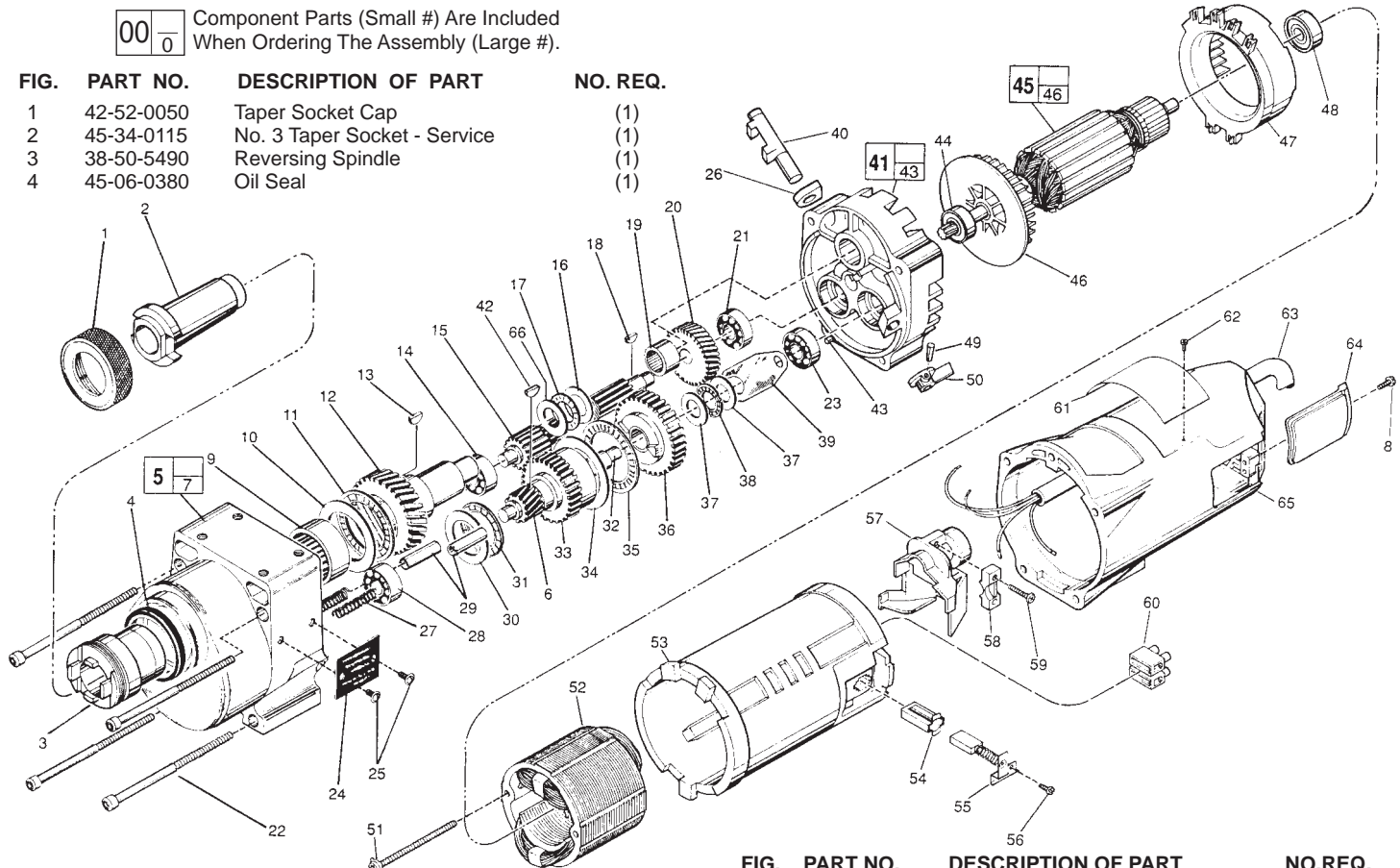
BULLETIN NO.
55-14-4300

SPECIFY CATALOG NO. AND SERIAL NO. WHEN ORDERING PARTS		REVISED BULLETIN	DATE
1-1/4" (32mm) TWO SPEED DRILL			July 2011
CATALOG NO.	4292-50	STARTING SERIAL NO.	504A
		WIRING INSTRUCTION	58-03-0376

EXAMPLE:

Component Parts (Small #) Are Included
When Ordering The Assembly (Large #).

FIG.	PART NO.	DESCRIPTION OF PART	NO. REQ.
1	42-52-0050	Taper Socket Cap	(1)
2	45-34-0115	No. 3 Taper Socket - Service	(1)
3	38-50-5490	Reversing Spindle	(1)
4	45-06-0380	Oil Seal	(1)



5	28-14-1880	Gear Case Assembly	(1)
6	32-60-1041	Pinion Gear	(1)
7	06-65-1535	Roll Pin (Not Shown)	(1)
8	06-82-5316	8-32 x 1/2" Pan Hd. Sl. Taptite T-20	(2)
9	02-50-9976	Needle Bearing	(1)
10	45-88-0530	Thrust Bearing Washer	(1)
11	02-80-5000	Thrust Bearing	(1)
12	32-75-2561	Spindle Gear	(1)
13	06-42-2400	Woodruff Key	(1)
14	02-04-1205	Ball Bearing	(1)
15	36-66-3751	Pinion Shaft Assembly	(1)
16	45-88-1090	Thrust Washer	(1)
17	02-80-1525	Thrust Bearing	(1)
18	06-42-1600	Woodruff Key	(1)
19	02-50-4830	Needle Bearing	(1)
20	32-40-1581	Intermediate Gear	(1)
21	02-04-1205	Ball Bearing	(1)
22	06-82-9202	1/4-20 x 4-1/4" Fillister Taptite T-30	(4)
23	02-04-1205	Ball Bearing	(1)
24	12-98-3020	Instruction Plate	(1)
25	06-82-5266	4-40 x 1/4" Pan Hd. Taptite T-10 Screw	(2)
26	43-44-0580	Foam Gasket	(1)
27	40-50-6300	Shifting Spring	(2)
28	02-04-1205	Ball Bearing	(1)
29	44-70-0100	Shifting Plunger	(2)
30	45-88-0520	Thrust Bearing Washer	(1)
31	02-80-1800	Thrust Bearing	(1)
32	36-14-0061	Pinion Clutch Shaft	(1)
33	32-10-0060	High Speed Gear	(1)
34	45-88-0530	Thrust Bearing Washer	(1)
35	02-80-5000	Thrust Bearing	(1)
36	32-10-0051	Low Speed Gear	(1)
37	45-88-0510	Thrust Bearing Washer	(2)
38	02-80-1200	Thrust Bearing	(1)
39	45-98-0090	Shifting Yoke	(1)
40	30-15-0056	Shifting Cam	(1)

FIG.	PART NO.	DESCRIPTION OF PART	NO. REQ.
41	14-13-0210	Diaphragm Assembly	(1)
42	06-42-2000	Woodruff Key	(1)
43	06-65-1155	Groove Pin	(1)
44	02-04-1229	Ball Bearing	(1)
45	16-74-0385	D. I. Armature	(1)
46	22-84-0790	Fan	(1)
47	42-14-0291	Baffle	(1)
48	02-04-1041	Ball Bearing	(1)
49	06-65-0840	1/8 x 3/4 Groove Pin	(1)
50	25-60-0056	Shifting Knob	(1)
51	06-82-9072	10-24 x 2-1/8" Pan Hd. T-25 Sems	(2)
52	18-74-0320	Field	(1)
53	23-16-1410	Insulating Housing	(1)
54	22-20-0680	Brush Tube	(2)
55	22-18-0706	Carbon Brush Assembly	(2)
56	06-82-8835	8-32 x 5/16" Pan Hd. T-20 Sems	(2)
57	22-38-0140	Wire Clamp	(1)
58	31-17-0200	Cord Clamp	(1)
59	06-82-7326	8-16 x 1" Pan Hd. Sl. Plast. T-20	(2)
60	22-56-0470	Terminal Block	(1)
61	12-99-3346	Service Nameplate	(1)
62	06-72-1720	Nameplate Rivet	(2)
63	22-64-4005	Cord and Plug	(1)
64	22-32-0350	Brush Cover	(2)
65	28-50-6360	Motor Housing	(1)
66	45-88-1080	Thrust Washer	(1)
67	34-60-0320	Snap Ring	(1)

FIG. LUBRICATION

5 17 Oz. Type "J" Grease, No. 49-08-4220.

FIG. NOTES

22 Apply Blue Loctite #242 To Threads.

MILWAUKEE ELECTRIC TOOL CORPORATION

13135 W. LISBON RD., BROOKFIELD, WI 53005