

SERVICE PARTS LIST

BULLETIN NO.
54-14-4202

SPECIFY CATALOG NO. AND SERIAL NO. WHEN ORDERING PARTS		REVISED BULLETIN	DATE
1-1/4" TWO SPEED DRILL		54-14-4201	Sept. '83
CATALOG NO. 4292-1	STARTING SERIAL NO. 504-8500	WIRING INSTRUCTION	
		58-01-0375	
CAT. NO. 4292-6	START SER. NO. 504-8500	BILINGUAL LABEL 10-98-6120	

FOR CAT. NO. 4292-3
(240 V.) TOOL USE:

16-76-0100 ARMATURE
18-76-0070 FIELD
22-64-2740 CORD SET
22-56-0286 STRAIN RELIEF

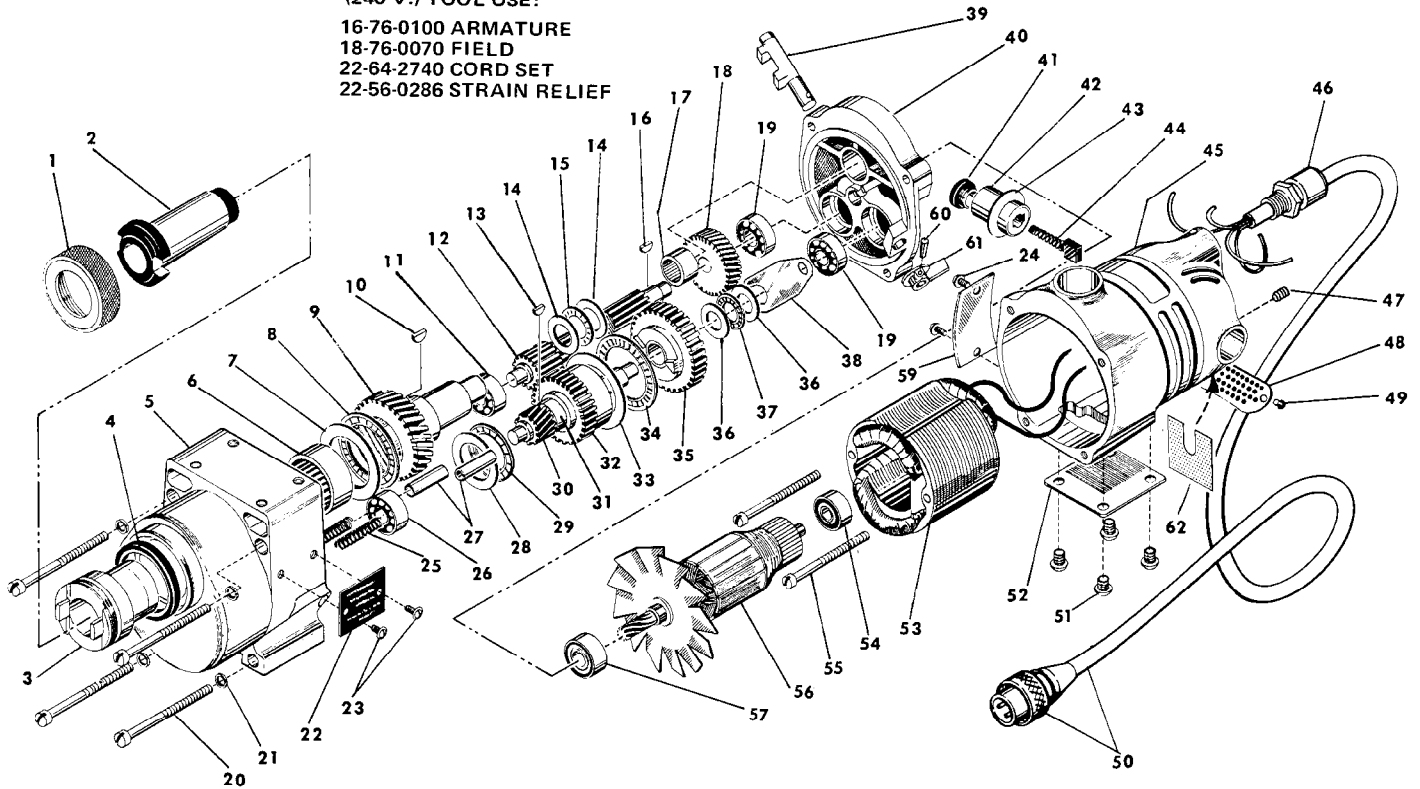


FIG.	PART NO.	DESCRIPTION OF PART	NO. REQ.
1	42-52-0050	Taper Socket Cap	(1)
2	45-34-0050	#3 Taper Socket	(1)
3	38-50-4651	Spindle	(1)
4	45-06-0100	Oil Seal	(1)
★ 5	28-14-1655	Gear Case Assy. (Includes 44-60-0320 Pivot Pin and 06-65-1535 Roll Pin)	(1)
6	02-50-9975	Needle Bearing	(1)
7	45-88-0530	Thrust Bearing Washer	(1)
8	02-80-5000	Thrust Bearing	(1)
9	32-75-2561	Spindle Gear	(1)
10	06-42-2400	Woodruff Key	(1)
11	02-04-1260	Ball Bearing	(1)
12	36-66-3751	Pinion Shaft Assembly	(1)
13	06-42-2000	Woodruff Key	(1)
14	45-88-0515	Thrust Washer	(2)
15	02-80-1525	Thrust Bearing	(1)
16	06-42-1600	Woodruff Key	(1)
17	02-50-4830	Needle Bearing	(1)
18	32-40-1581	Intermediate Gear	(1)
19	02-04-1205	Ball Bearing	(2)
20	06-81-2125	1/4-20x3-1/2 Fil. Hd. Screw	(4)
21	06-97-3800	Lock Washer	(4)
22	12-98-2105	Instruction Plate	(1)
★ 23	06-81-5789	4-40 x 1/4 Pan Hd. Taptite Screw	(2)
24	06-85-0200	6x1/4 Rd. Hd. Type Z Screw	(2)
25	40-50-6300	Shifting Spring	(2)
26	02-04-1260	Ball Bearing	(1)
27	44-70-0100	Shifting Plunger	(2)
28	45-88-0520	Thrust Bearing Washer	(1)
29	02-80-1800	Thrust Bearing	(1)
30	32-60-1041	Pinion Gear	(1)
31	36-14-0061	Clutch Shaft	(1)

FIG.	PART NO.	DESCRIPTION OF PART	NO. REQ.
32	32-10-0061	Clutch Gear Assembly	(1)
33	45-88-0530	Thrust Bearing Washer	(1)
34	02-80-5000	Thrust Bearing	(1)
35	32-10-0051	Clutch Gear Assembly	(1)
36	45-88-0510	Thrust Bearing Washer	(2)
37	02-80-1200	Thrust Bearing	(1)
38	45-98-0090	Shifting Yoke	(1)
★ 39	30-15-0055	Shifting Cam	(1)
40	28-28-1365	Diaphragm - Includes:	
	06-65-0680	Groove Pin	(1)
41	23-44-0030	Brush Retaining Screw	(2)
42	22-22-1015	Brush Holder	(2)
43	23-86-0060	Brush Holder Washer	(2)
44	22-18-0055	Carbon Brush	(2)
45	28-50-4122	Motor Housing (Incl 45-30-0110 BB Rtnng. Slug)	(1)
46	22-56-0280	Strain Relief	(1)
47	06-83-2650	1/4-20x3/8 Knrl. Set Screw	(2)
48	44-66-0180	Cover Plate	(1)
49	06-81-8650	6-32x1/4 Rd. Hd. Sem	(2)
50	22-64-0740	Cord Set	(1)
51	06-81-5000	1/4-20x3/8 Truss Hd. Screw	(4)
52	44-66-0050	Body Cover Plate	(1)
53	18-70-0070	120 V. Field	(1)
54	02-04-1070	Ball Bearing	(1)
55	06-81-9190	10-24x2-1/4 Rd. Hd. Sem	(2)
56	16-70-0100	120 V. Rev. Armature	(1)
57	02-04-1260	Ball Bearing	(1)
▶ 58	12-98-7082	Caution Plate (Not Shown)	(1)
59	12-99-0040	Nameplate	(1)
60	06-65-0840	1/8x3/4 Groove Pin	(1)
★ 61	28-60-0056	Shift Knob	(1)
62	23-16-0835	Arc Insulator	(1)

▶ Omit for Canadian Tools